

**ECOLOGICAL TANKS, INC.**

**AQUA  SAFE <sup>®</sup>**

**“The standard by which the performance of other units is compared”<sup>®</sup>**

**Class I Wastewater Treatment Plants**

**Installation, Operation, Maintenance and Trouble-Shooting  
Manual for Distributors, Installers, and Maintenance  
Providers**

**(Oregon Version)**

**MODELS**

**AS500L AS600L AS1100L AS600+4NR**

**“Copyright Notice”**

No part of this publication may be reproduced, stored in any retrieval system, or transmitted in any form or by any means, electronic, mechanical, photocopying, recording, or otherwise without the prior written permission of Ecological Tanks, Inc.



**Mfg. By  
Ecological Tanks, Inc.  
2247 Highway 151 North  
Downsville, LA 71234  
PH (318) 644-0397 • FAX (318) 647-7257**



## I. INTRODUCTION

**Ecological Tanks, Inc.** was founded in 1994 by people with combined experience in installation, pre-casting and the building industry. At **Ecological Tanks, Inc.** our main goal is to provide products to professionals engaging in the business of distributing, installing and servicing home wastewater treatment plants. To continue our service, we have dedicated ourselves to manufacturing versatile products to simplify the task of installation and maintenance. This will include all-in-one aerobic systems, the first one box control for the operation of pumps and compressors, unique upsize controls and other products that are first in the on-site sewage industry. With this unique diversity and know how, we can provide the help you need with your on-site sewage treatment business.

**Model AS500L** (low profile) and larger plants in this series have been tested by NSF and meet or exceed the Standard 40, Class 1 plant characteristic requirements. This model series was tested without a pre-treatment tank, but may utilize one as an option to comply with state/local requirements, or to reduce maintenance. The AS500L, AS600L and AS1100L are approved for use in the State of Oregon.

**Model AS600+4NR** has been tested by NSF and meets the Standard 40 (Class 1) and Standard 245 (ammonia reduction) requirements. The AS600+4NR requires the use of a minimum 400 gallon pre-treatment tank.

Note: A minimum of 1000 gallon pre-treatment (septic) tank is required on all installations in the State of Oregon (Oregon Administrative Rule 340-071-0220(3) (a).

## II. AQUA SAFE® WASTEWATER TREATMENT PLANT PROCESS DESCRIPTION

**Aqua Safe®** series models of wastewater treatment plants are made with an outer mixing compartment and a center settling or clarifier compartment. They are in many ways similar to large township or municipality sewage treatment plants. They employ an extended aeration, activated sludge process. This type of treatment depends primarily upon the use of air that is introduced by air passing from the aerator compressor to four air lines located around the perimeter of the aeration mixing compartment. As wastewater enters the aeration mixing compartment, simple hydraulic displacement is accomplished by the introduction of air which promotes the growth of aerobic organisms in much larger quantities than would occur naturally. These bacteria break down the organic solids in the wastewater. From the aeration mixing compartment, mixed liquid enters the cone-shaped settling or clarifier compartment from the bottom. No mixing occurs in this quiet zone where solids separate from liquid and settle to the bottom of the clarifier and re-enter the mixing compartment. The liquid that separates from the solids in the clarifier continue to flow upward to the discharge pipe.

The **Aqua Safe®** Models **AS500L**, **AS600L**, **AS1100L** and **AS600+4NR** are round tank configurations comprised of an aeration mixing compartment and a center clarifier compartment.

The results of the **Aqua Safe®** process are a clear, odorless effluent discharge which meets and exceeds state and national water quality standards.

## AQUA SAFE® PRODUCT SPECIFICATIONS

### INDIVIDUAL HOME WASTEWATER TREATMENT PLANTS

#### MODELS AS500L, AS600L, AS1100L, AS600+4NR

	AS500L	AS600L	AS1100L	AS600+4NR
<b>Treatment Capacity</b>	500 GPD	600 GPD	1100 GPD	600 GPD
<b>Volumetric Capacity</b>	908 GAL.	1058 GAL.	2008 GAL.	1000 GAL.
<b>Aeration Zone Capacity</b>	756 GAL.	881 GAL.	1705 GAL.	848 GAL.
<b>Clarifier Capacity</b>	152 GAL.	177 GAL.	302 GAL.	152 GAL.
<b>BOD<sub>5</sub> Loading</b>	1.25#/DAY	1.50 #/DAY	2.5 #/DAY	1.5#/DAY
<b>Aerator - Aqua Safe® Compressor</b>	ASC2532	ASC3352	ASC7510	ASC3342

#### DESIGN COMPONENTS AND MATERIALS

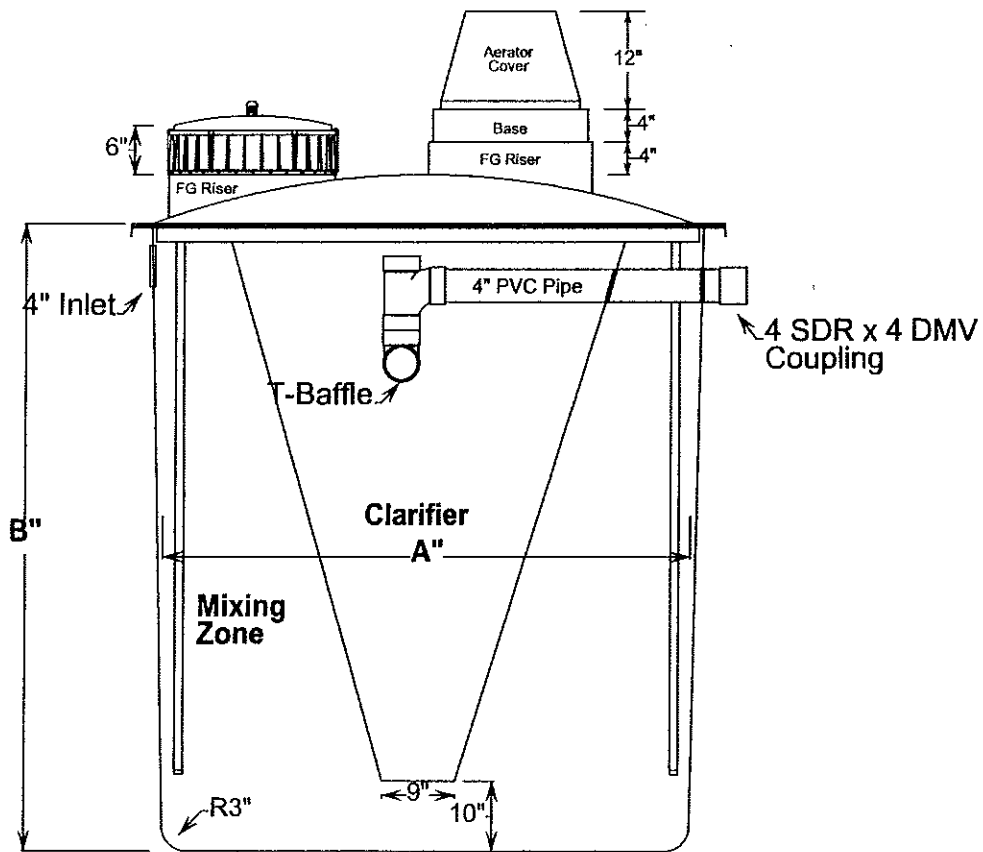
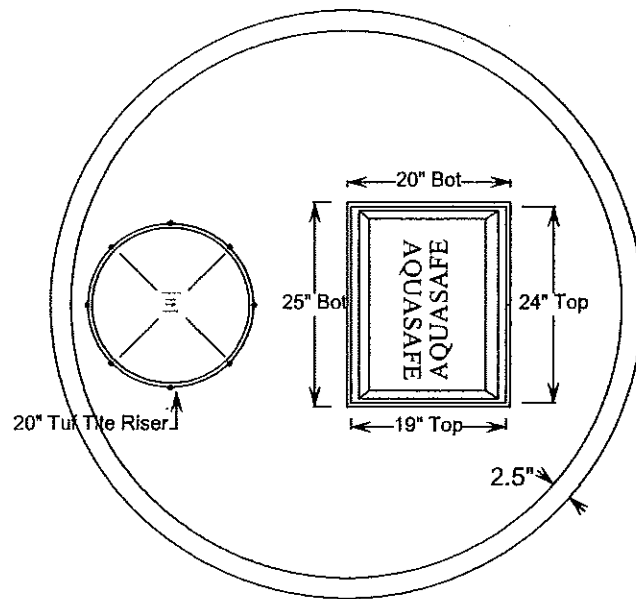
**Aeration Tank and Cover** ..... fiberglass or concrete  
**Clarifier**.....polyethylene or fiberglass  
**Compressor Housing** ..... polyethylene, fiberglass or concrete

#### PARTS LIST

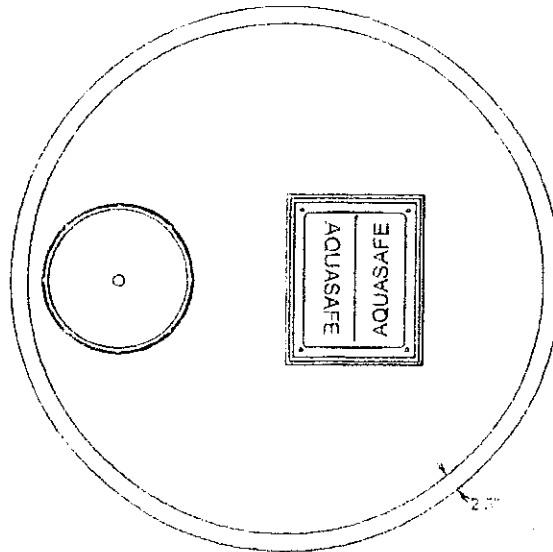
**Aeration Tank Fiberglass or Concrete** .....Item #1  
**Clarifier Fiberglass** .....2  
**Air Distribution System**.....3  
**Access Cover 20" Polyethylene or Concrete**.....4  
**Discharge Piping Assembly** .....5  
**Compressor Housing** .....6

MODEL	DIMENSIONS	
	A (I.D.)	B (HEIGHT)
AS500L	6'	5'
AS600L	6"	5'9"
AS1100L	6'9"	8'2"
AS600+4NR	5'6"	6'4"

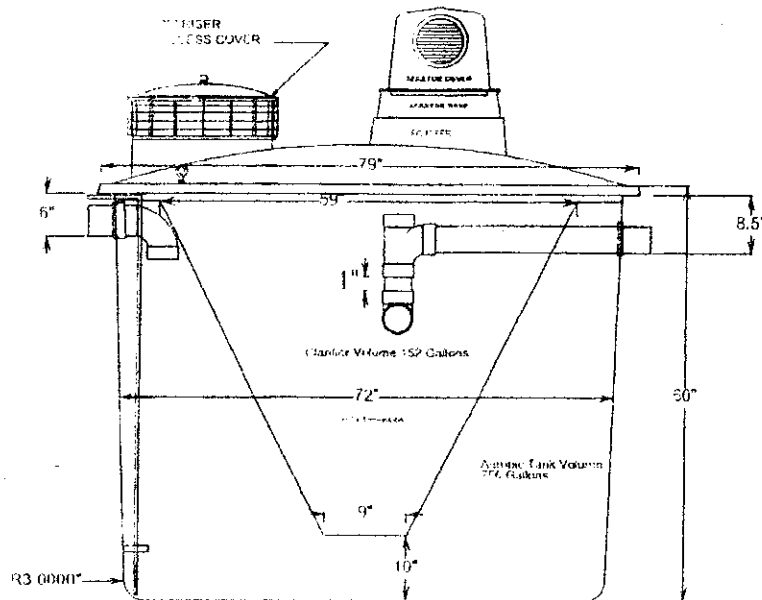
# Aqua Safe AS 500 - 1500 With EZ Top



Ecological Tanks, Inc.  
 Aqua Safe Model  
 AS500L-EZ

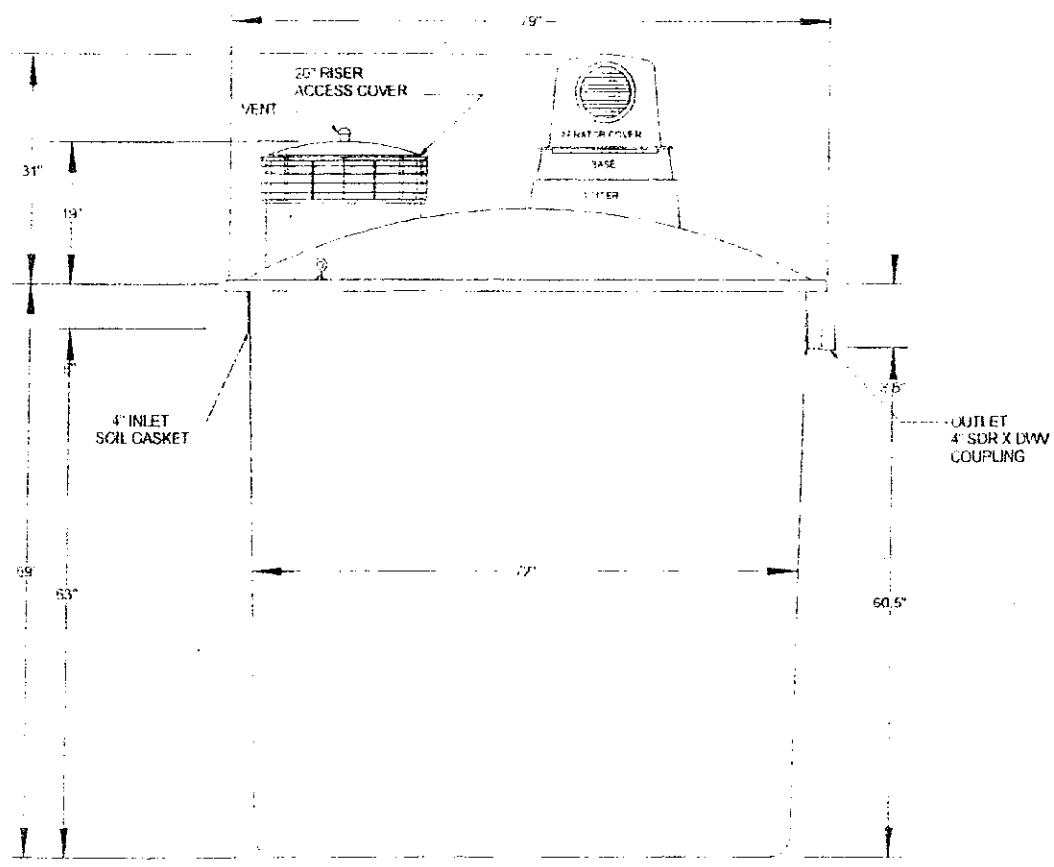
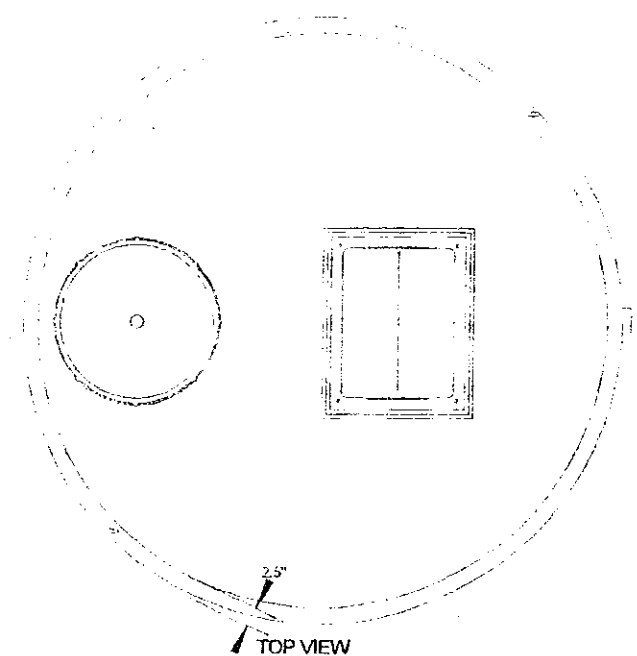


TOP VIEW



NOTES:  
 \*Clarifier Volume: 808 Gallons to Allow for  
 Tank Taper from Flange to Bottom - 4 inches  
 Aerobic and Clarifier Volumes measured at flow time

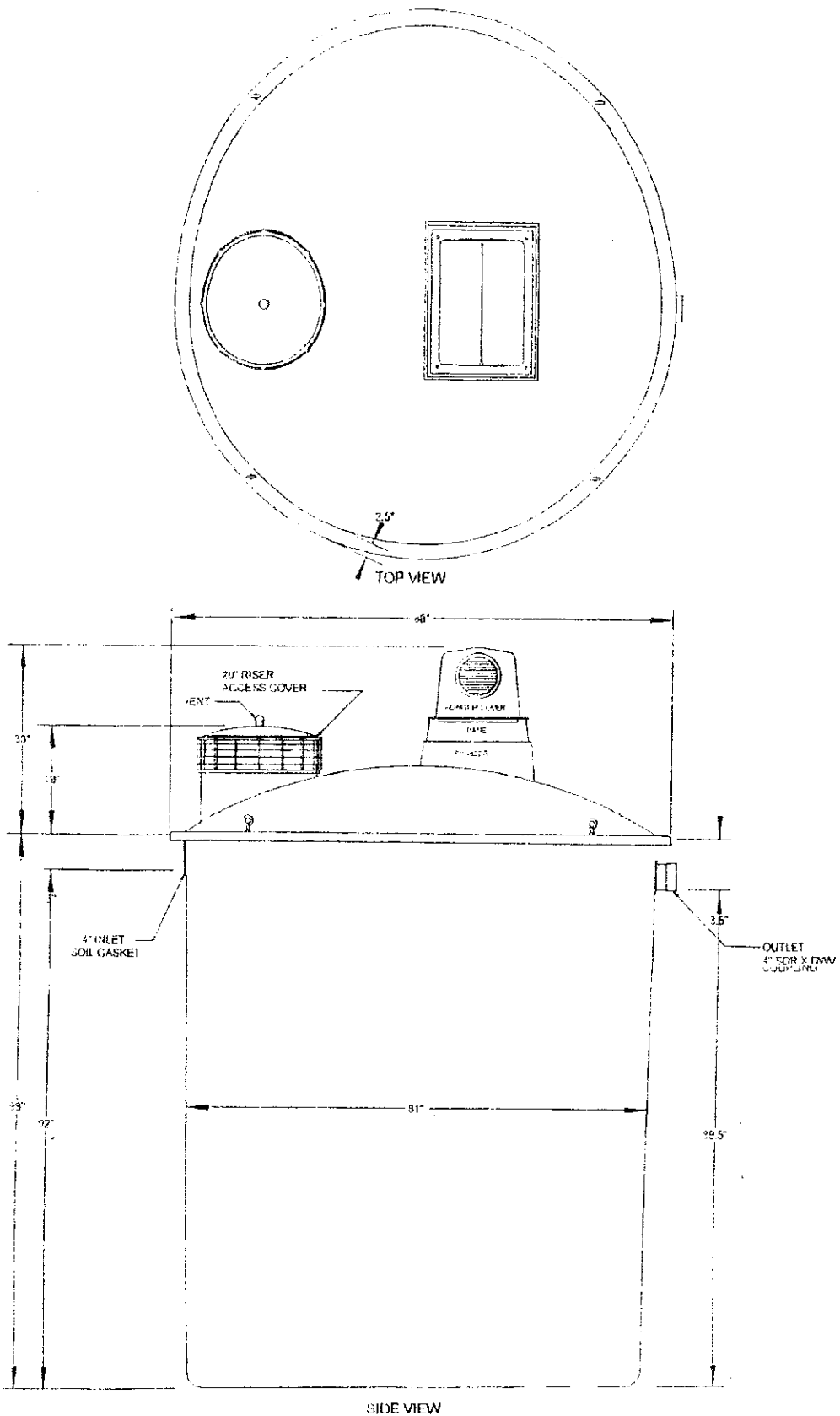
FIGURE 1



DESCRIPTION  
MODEL AS602L-EZ

Capacity: 400 GPD  
Flow Rate: 1.5 GPM  
DATE: 05/21/06  
ECOLOGICAL TANKS, INC.  
2247 157th Ave NE  
Marysville, WA 98270  
Phone: 360-427-1104  
Fax: 360-427-1104

FIGURE 2



DESCRIPTION  
 MODEL AS1100LEZ

DATE: 05/20/08

REVISIONS:

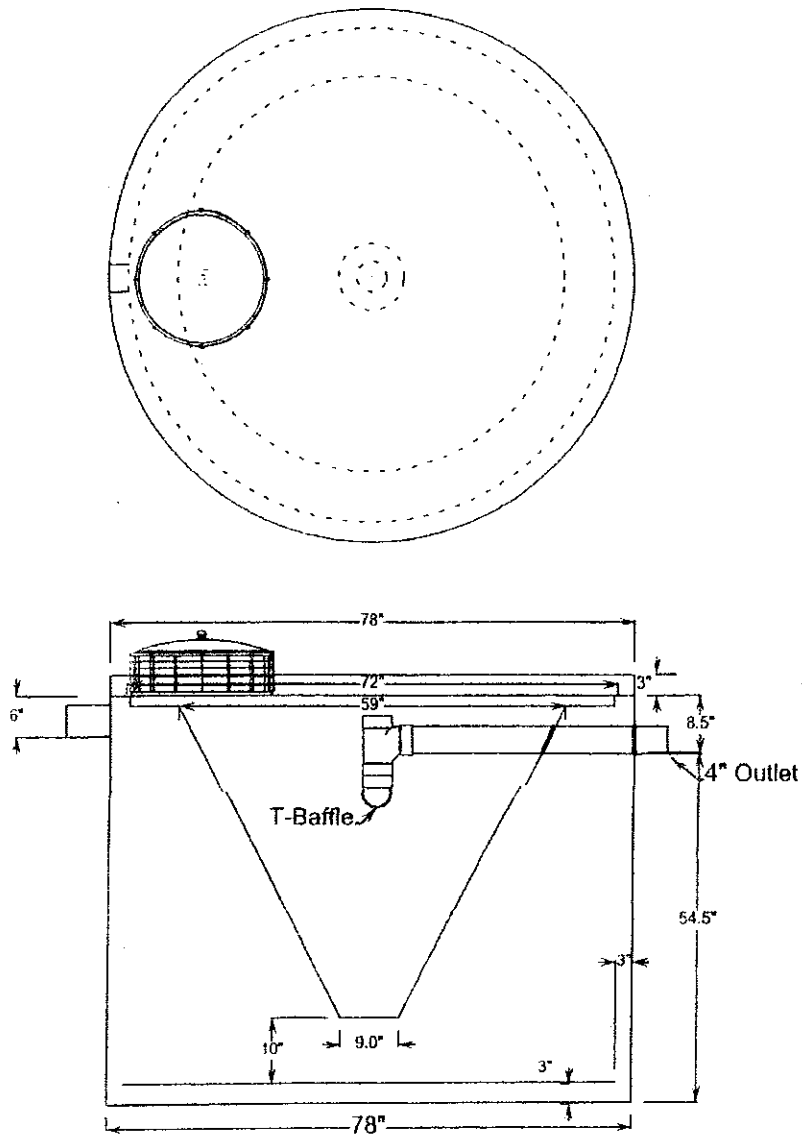
NO. REV. DESCRIPTION DATE BY

ECOLOGICAL TANKS, INC.  
 11111 S. 100th St.  
 Tukwila, WA 98148  
 (206) 835-1148

FIGURE 3



Ecological Tanks, Inc.  
 Aqua Safe Model  
 AS500L-C



**Reinforcement Notes:**

**SIDES & BOTTOM:** 6# 10/10 W.W.F.  
 4:00 PSI CONCRETE

**TOP:** 6# 10/10 W.W.F. AND  
 3.8" RODS 9" O.C. EACH WAY

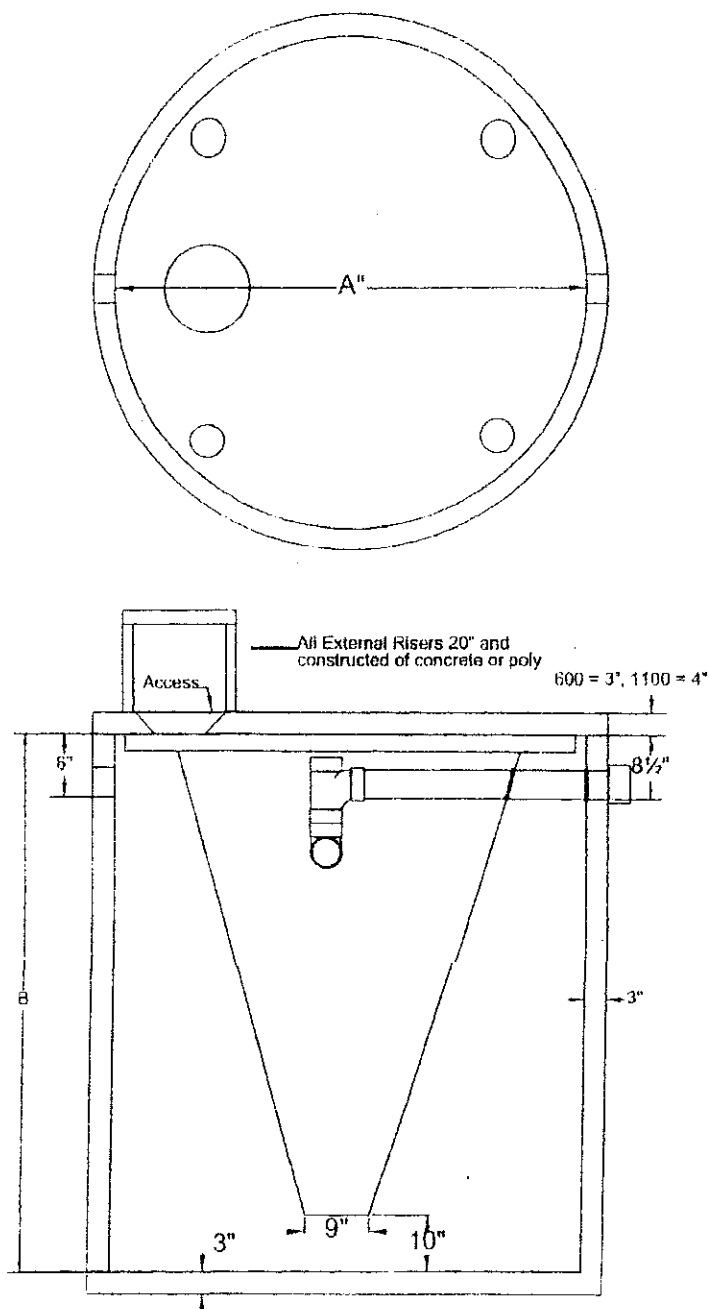
4#00 PSI CONCRETE

**NOTES:** START REINFORCING RODS 6"  
 FROM OUTSIDE EDGE OF TOP

EXTEND REINFORCING RODS TO WITHIN  
 1/2" OF EDGE OF TOP

FIGURE 4

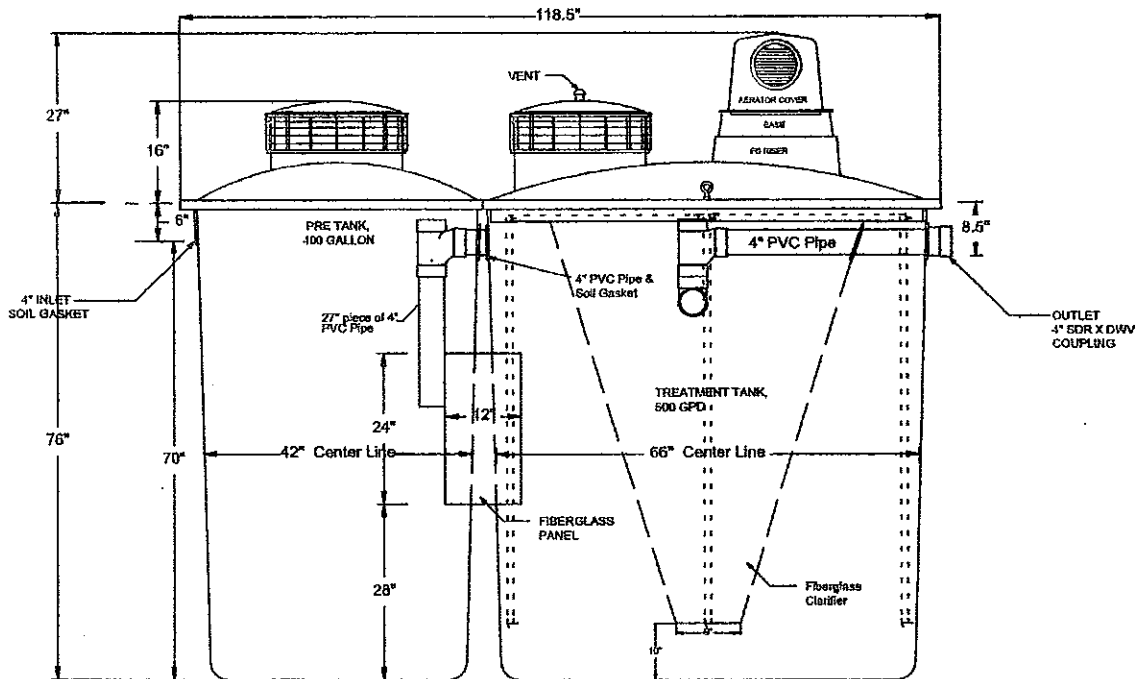
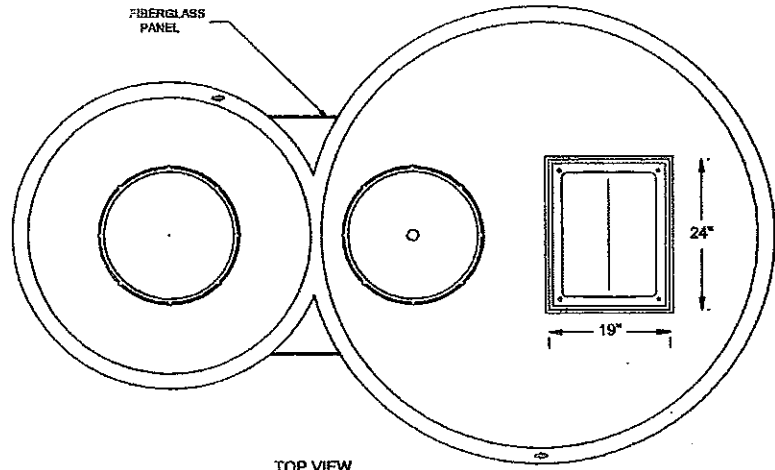
# AS600L-C    AS1100L-C Concrete Aerobic Treatment Plant



Schedule

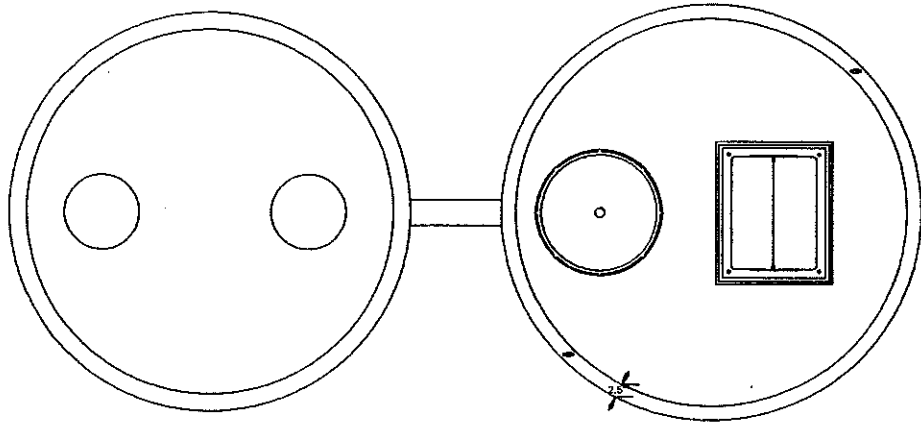
	AS600L-C	AS1100L-C
Treatment Capacity	600 GPD	1100 GPD
Volumetric Capacity	1,241 Gal.	2,159 Gal.
Aeration Volume - Water Line	881 Gal.	1,638 Gal.
Clarifier Volume - Water Line	177 Gal.	327 Gal.
Total Volume - Water Line	1,058 Gal.	1,965 Gal.
Inside Diameter (A)	72"	80.5"
Inside Height (B)	69"	98"
BOD Loading (# per Day)	1.50	2.75

FIGURE 5

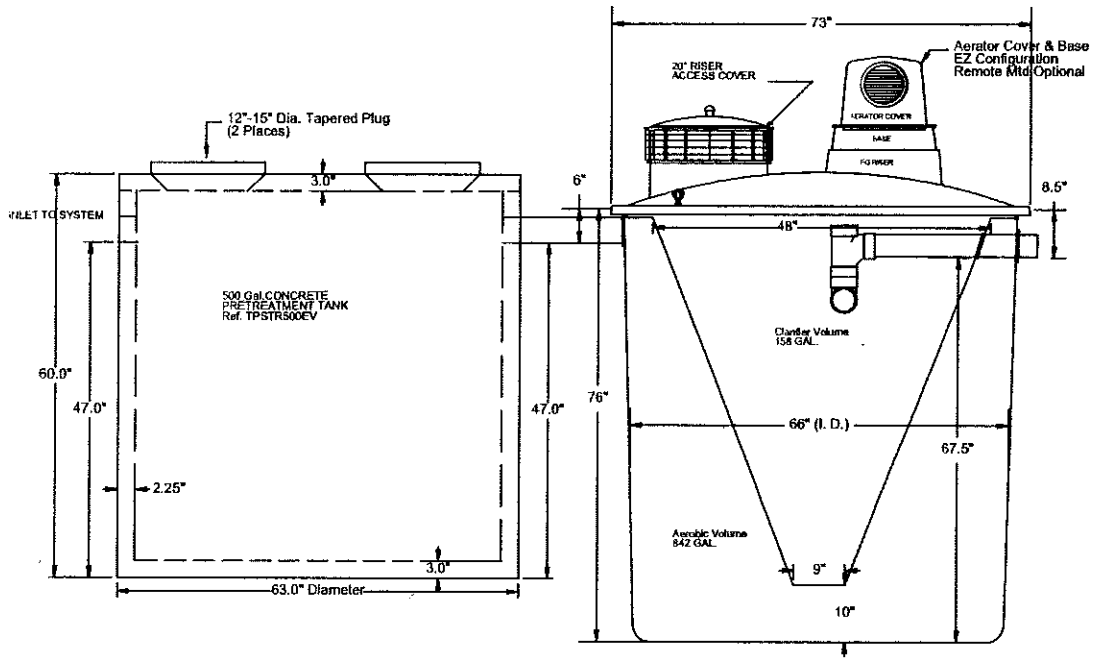


ALL DIMENSIONS IN INCHES

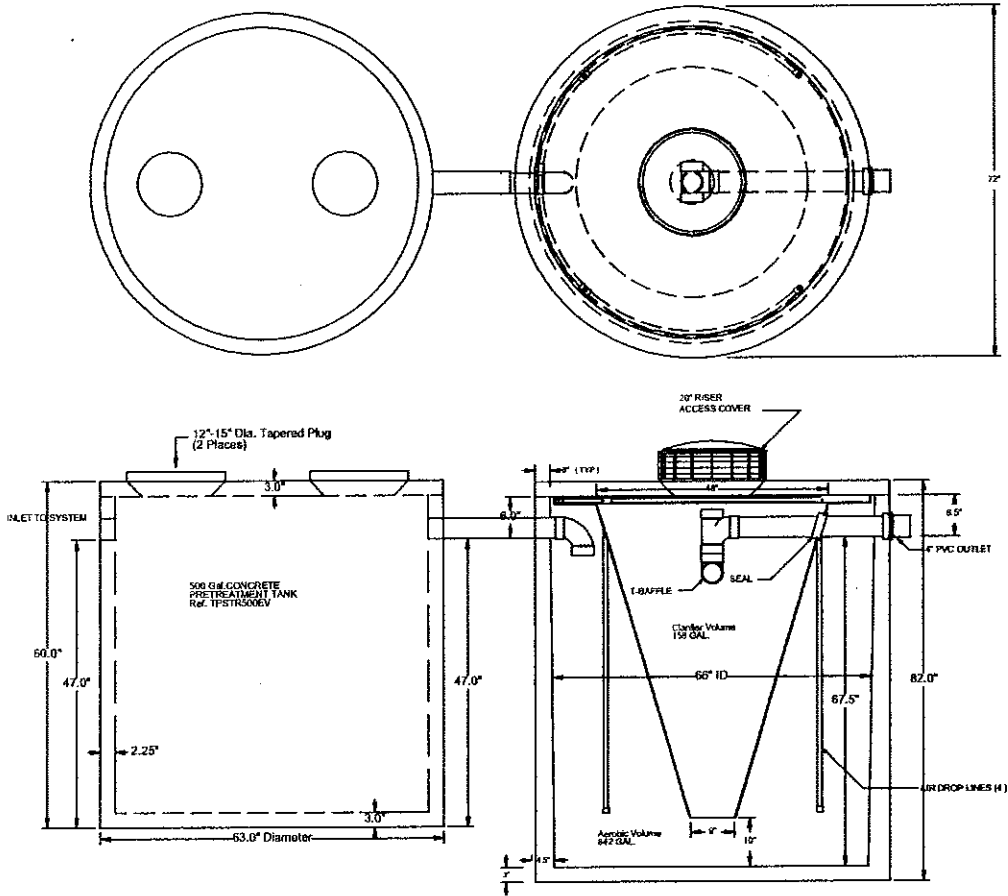
<b>DESCRIPTION:</b>			
MODEL AS880+4 NR with EZ top			
Maximum Capacity: 600 GPD	Flow Line Volume: 1000 GAL.		
SDD Loading: 1.0 MG/DAY			
DATE REV. 0 TANK	REV. 0	DATE 07/20/88	SCALE FULL
ECOLOGICAL TANKS, INC.		8725 W. UNIVERSITY AVENUE, SUITE 100	
2517 N. 141 STREET		DALLAS, TEXAS 75244	
TEL: 469-751-7334		TEL: 214-232-7511	
FAX: 469-751-7334		FAX: 214-232-7511	



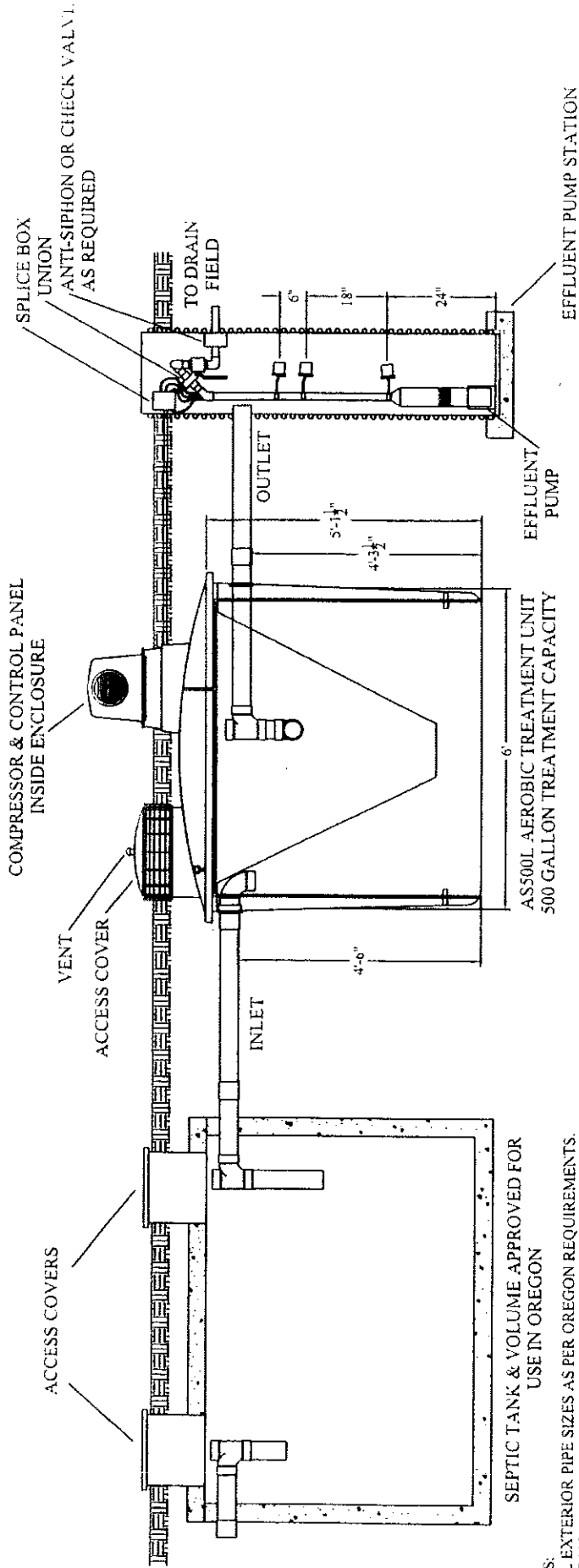
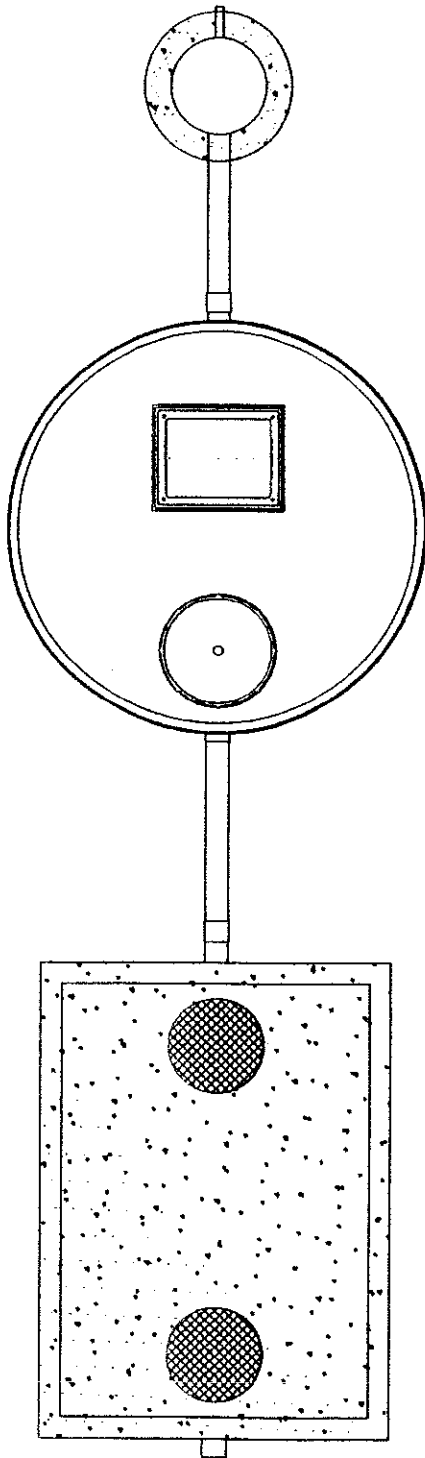
TOP VIEW



<b>DESCRIPTION:</b> MODEL AS800+5-CP NR WITH 500 Gal. CONCRETE PRETREATMENT TANK				
Treatment Capacity: 600 GPD		Flow Line Volume: 1000 GAL.		
BOD Loading: 1.50# per Day				
REV: 0	DATE: 11/2008	SCALE: FULL	ENG: JKC	
<b>ECOLOGICAL TANKS, INC</b> 2247 HWY 151 NORTH DOWNSVILLE, LA 71234 318-644-0397 OFFICE 318-644-7257 FAX		NO PART OF THIS DRAWING MAY BE REPRODUCED, STORED IN ANY RETRIEVAL SYSTEM OR TRANSMITTED IN ANY FORM OR BY ANY MEANS, ELECTRONIC, MECHANICAL, PHOTOCOPYING, RECORDING OR OTHERWISE WITHOUT THE PRIOR WRITTEN PERMISSION OF ECOLOGICAL TANKS, INC.		



<b>DESCRIPTION:</b> MODEL AS600+5-CCP NR WITH 500 Gal. CONCRETE PRETREATMENT TANK			
Treatment Capacity: 600 GPD		Flow Line Volume: 1000 GAL.	
BOD Loading: 1.50# per Day			
REV: 0	DATE: 02/2009	SCALE: FULL	ENG: JKC
<b>ECOLOGICAL TANKS, INC</b> 2247 HWY 151 NORTH DOWNSVILLE, LA 71234 318-644-3397 OFFICE 318-644-7257 FAX		NO PART OF THIS DRAWING MAY BE REPRODUCED, STORED IN ANY RETRIEVAL SYSTEM, OR TRANSMITTED IN ANY FORM OR BY ANY MEANS, ELECTRONIC, MECHANICAL, PHOTOCOPIING, RECORDING OR OTHERWISE WITHOUT THE PRIOR WRITTEN PERMISSION OF ECOLOGICAL TANKS, INC.	



SEPTIC TANK & VOLUME APPROVED FOR USE IN OREGON

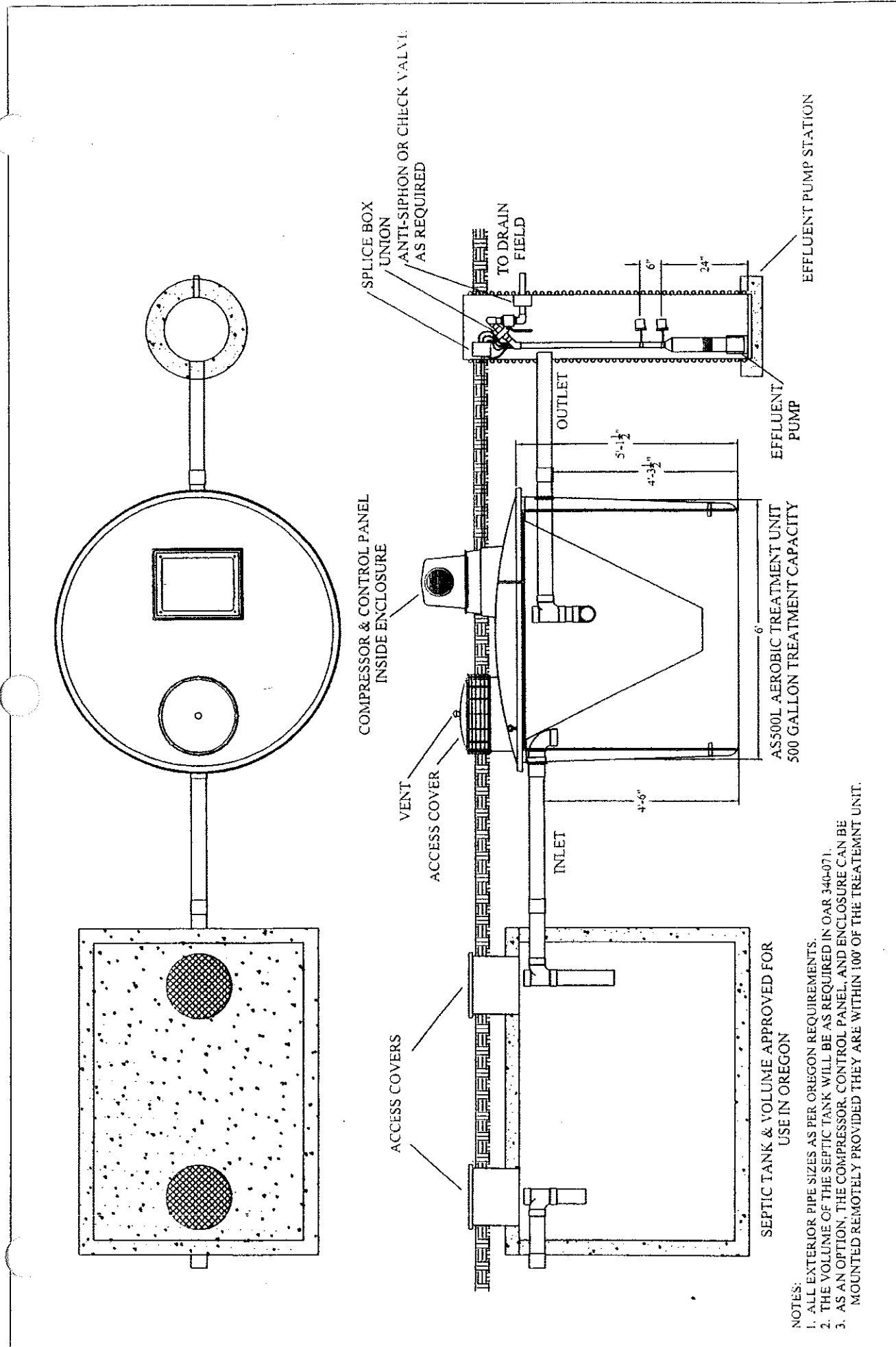
- NOTES:
1. ALL EXTERIOR PIPE SIZES AS PER OREGON REQUIREMENTS.
  2. THE VOLUME OF THE SEPTIC TANK WILL BE AS REQUIRED IN OAR 340-071.
  3. AS AN OPTION, THE COMPRESSOR, CONTROL PANEL, AND ENCLOSURE CAN BE MOUNTED REMOTELY PROVIDED THEY ARE WITHIN 100' OF THE TREATMENT UNIT.

**ECOLOGICAL TANKS, INC**  
 2477 HWY 151 NORTH  
 DOWNSVILLE, LA 71234

**ETI 500 GPD UNIT W/ OREGON APPROVED SEPTIC TANK & HIGH HEAD PUMP STATION**

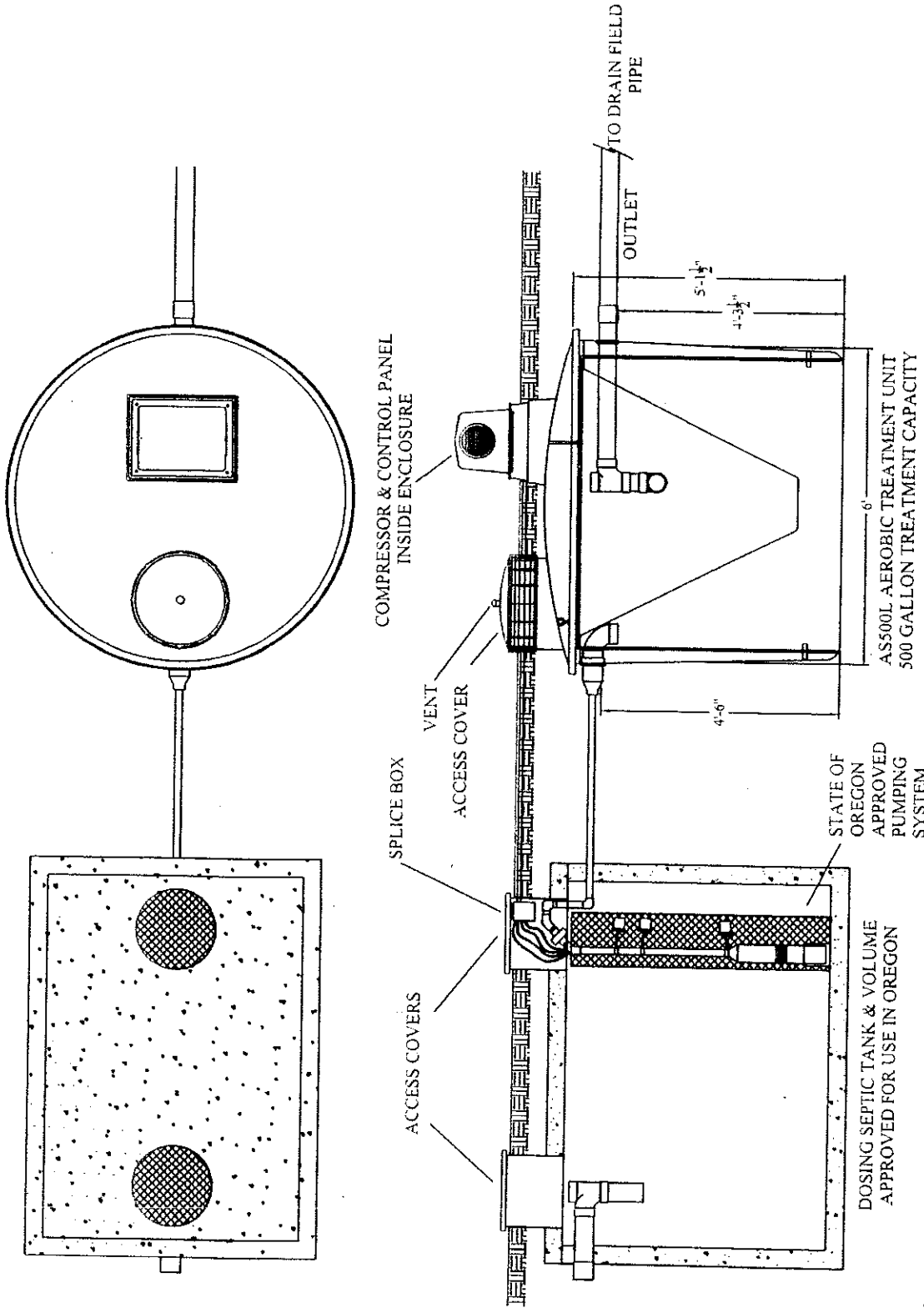
NO PART OF THIS DOCUMENT MAY BE REPRODUCED, STORED IN ANY RETRIEVAL SYSTEM, OR TRANSMITTED IN ANY FORM OR BY ANY MEANS, ELECTRONIC, MECHANICAL, PHOTOCOPYING, RECORDING OR OTHERWISE, WITHOUT THE PRIOR WRITTEN PERMISSION OF ECOLOGICAL TANKS, INC.

SCALE: NTS	DATE 10/19/09	DRAWING NO. AS500L- FLOATS)
---------------	------------------	--------------------------------



NOTES:  
 1. ALL EXTERIOR PIPE SIZES AS PER OREGON REQUIREMENTS.  
 2. THE VOLUME OF THE SEPTIC TANK WILL BE AS REQUIRED IN OAR 340-071.  
 3. AS AN OPTION, THE COMPRESSOR, CONTROL PANEL, AND ENCLOSURE CAN BE MOUNTED REMOTELY PROVIDED THEY ARE WITHIN 100' OF THE TREATMENT UNIT.

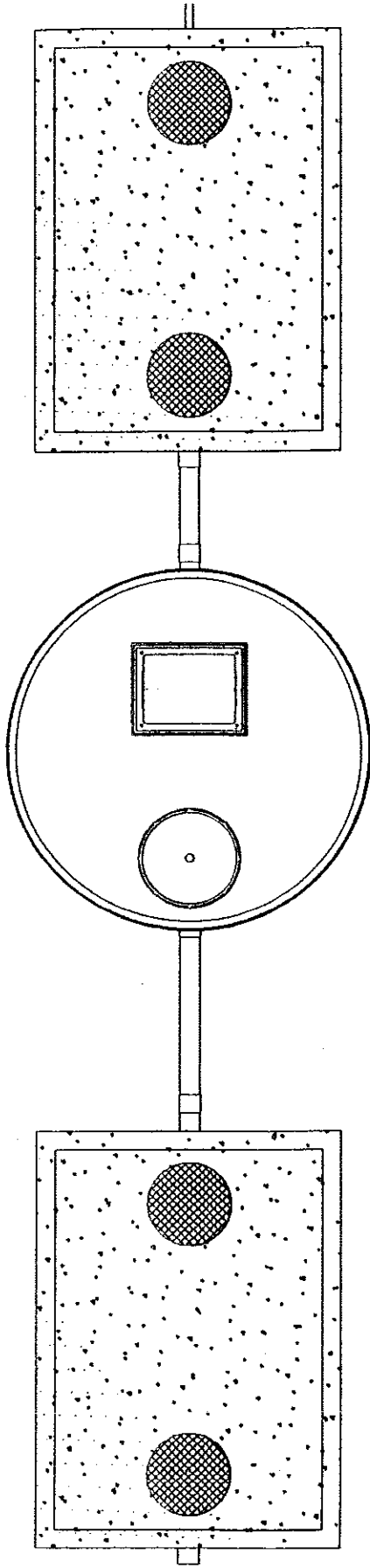
<b>ETI 500 GPD UNIT W/ OREGON APPROVED SEPTIC TANK &amp; HIGH HEAD PUMP STATION</b>		5
<b>ECOLOGICAL TANKS, INC</b> 2477 HWY 151 NORTH DOWNSVILLE, LA 71234	<b>SCALE:</b> NTS	<b>DATE</b> 10/19/09
<small>NO PART OF THIS DOCUMENT MAY BE REPRODUCED, STORED IN ANY RETRIEVAL SYSTEM, OR TRANSMITTED IN ANY FORM OR BY ANY MEANS, ELECTRONIC, MECHANICAL, PHOTOCOPYING, RECORDING OR OTHERWISE WITHOUT THE PRIOR WRITTEN PERMISSION OF ECOLOGICAL TANKS, INC.</small>		<b>DRAWING NO.</b> AS500L-1A (2 FLOA:TS)



- NOTES:
1. ALL EXTERIOR PIPE SIZES AS PER OREGON REQUIREMENTS.
  2. THE VOLUME OF THE SEPTIC TANK WILL BE AS REQUIRED IN OAR 340-071.
  3. AS AN OPTION, THE COMPRESSOR, CONTROL PANEL, AND ENCLOSURE CAN BE MOUNTED REMOTELY PROVIDED THEY ARE WITHIN 100' OF THE TREATMENT UNIT.

<b>ETI 500 GPD UNIT W/ OREGON APPROVED DOSING SEPTIC TANK</b>		16
<b>ECOLOGICAL TANKS, INC</b> 2477 HWY 151 NORTH DOWNSVILLE, LA 71234	SCALE: NTS	DATE 10/19/09
DRAWING NO. AS 3-2		
NO PART OF THIS DOCUMENT MAY BE REPRODUCED, STORED IN ANY RETRIEVAL SYSTEM, OR TRANSMITTED IN ANY FORM OR BY ANY MEANS, ELECTRONIC, MECHANICAL, PHOTOCOPYING, RECORDING OR OTHERWISE, WITHOUT THE PRIOR WRITTEN PERMISSION OF ECOLOGICAL TANKS, INC.		





COMPRESSOR & CONTROL PANEL  
INSIDE ENCLOSURE

ACCESS COVERS

VENT

ACCESS COVER

ACCESS COVERS

SPLICE BOX

OUTLET

INLET

SEPTIC TANK & VOLUME APPROVED FOR  
USE IN OREGON

AS500L AEROBIC TREATMENT UNIT  
500 GALLON TREATMENT CAPACITY

DOSING TANK & VOLUME APPROVED  
FOR USE IN OREGON

STATE OF  
OREGON  
APPROVED  
PUMPING  
SYSTEM

5'-1 1/2"  
4'-3 3/4"

4'-6"

- NOTES:
1. ALL EXTERIOR PIPE SIZES AS PER OREGON REQUIREMENTS.
  2. THE VOLUME OF THE SEPTIC TANK WILL BE AS REQUIRED IN OAR 340-071.
  3. THE VOLUME OF THE DOSING TANK WILL BE AS REQUIRED IN OAR 340-071.
  4. AS AN OPTION, THE COMPRESSOR, CONTROL PANEL, AND ENCLOSURE CAN BE MOUNTED REMOTELY PROVIDED THEY ARE WITHIN 100' OF THE TREATMENT UNIT.

**ECOLOGICAL TANKS, INC**  
2477 HWY 151 NORTH  
DOWNSVILLE, LA 71234

**ETI 500 GPD UNIT W/ OREGON APPROVED SEPTIC TANK &  
DOSING TANK**

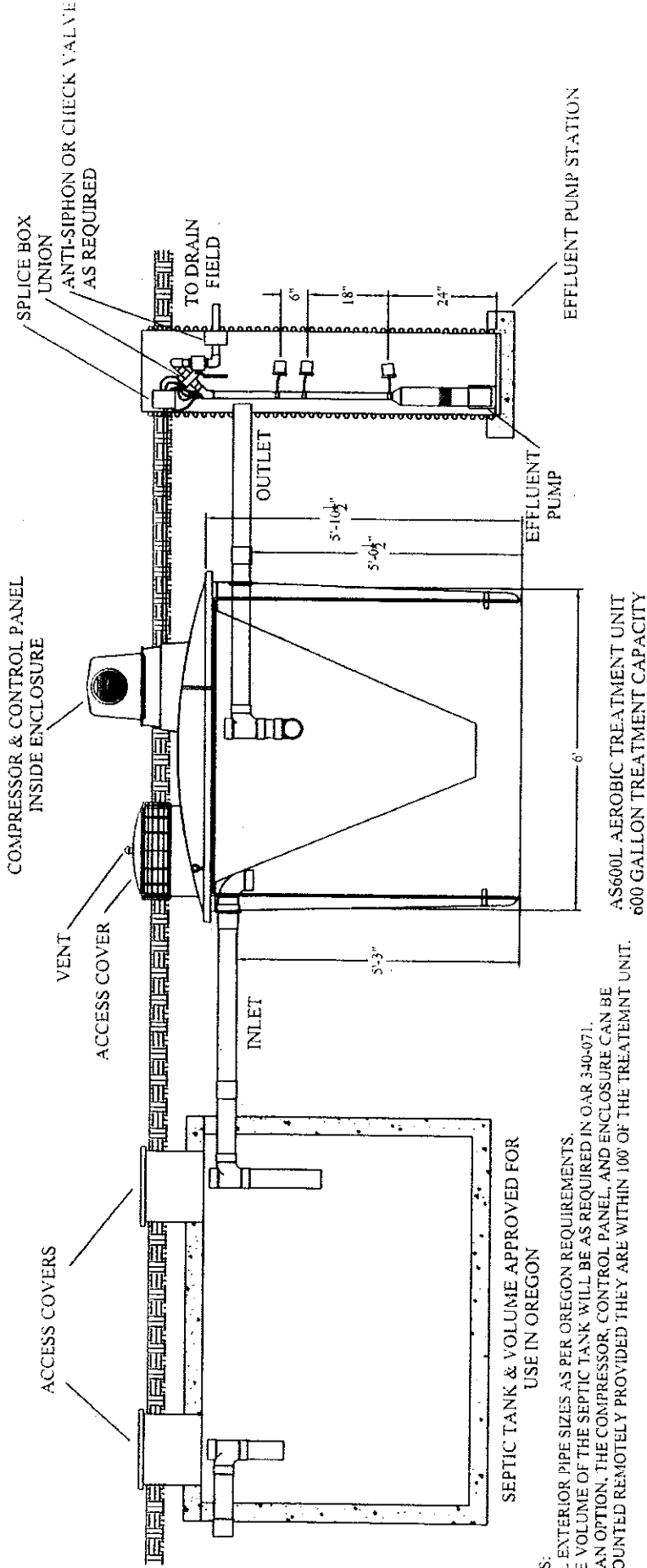
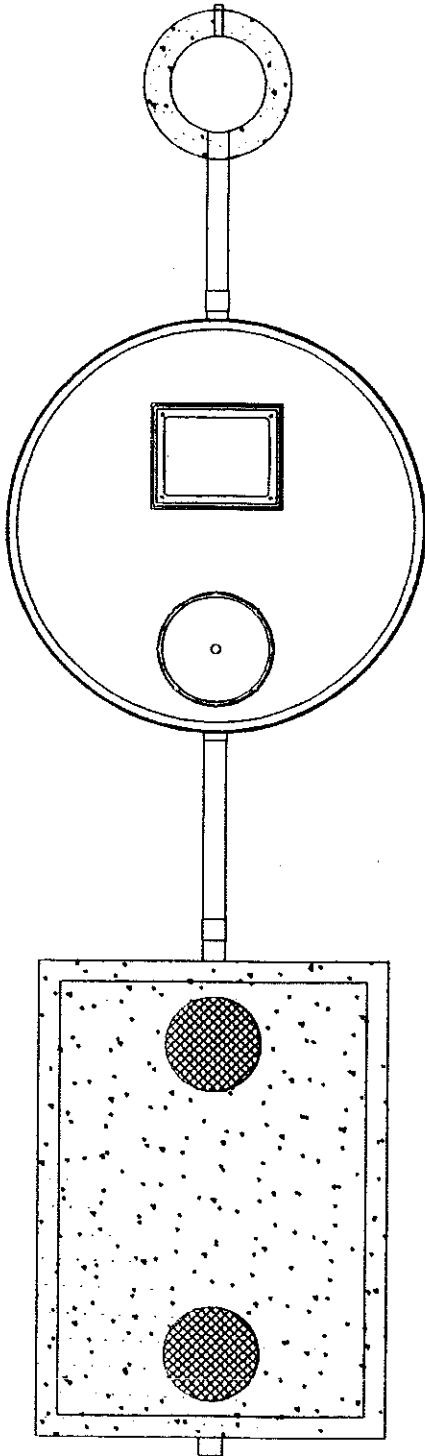
57

NO PART OF THIS DOCUMENT MAY BE REPRODUCED  
STORED IN ANY RETRIEVAL SYSTEM OR TRANSMITTED  
IN ANY FORM OR BY ANY MEANS, ELECTRONIC,  
MECHANICAL, PHOTOCOPYING, RECORDING OR  
OTHERWISE WITHOUT THE PRIOR WRITTEN PERMISSION  
OF ECOLOGICAL TANKS, INC.

SCALE:  
NTS

DATE  
10/19/09

DRAWING NO.  
AS500L-3



AS600L AEROBIC TREATMENT UNIT  
600 GALLON TREATMENT CAPACITY

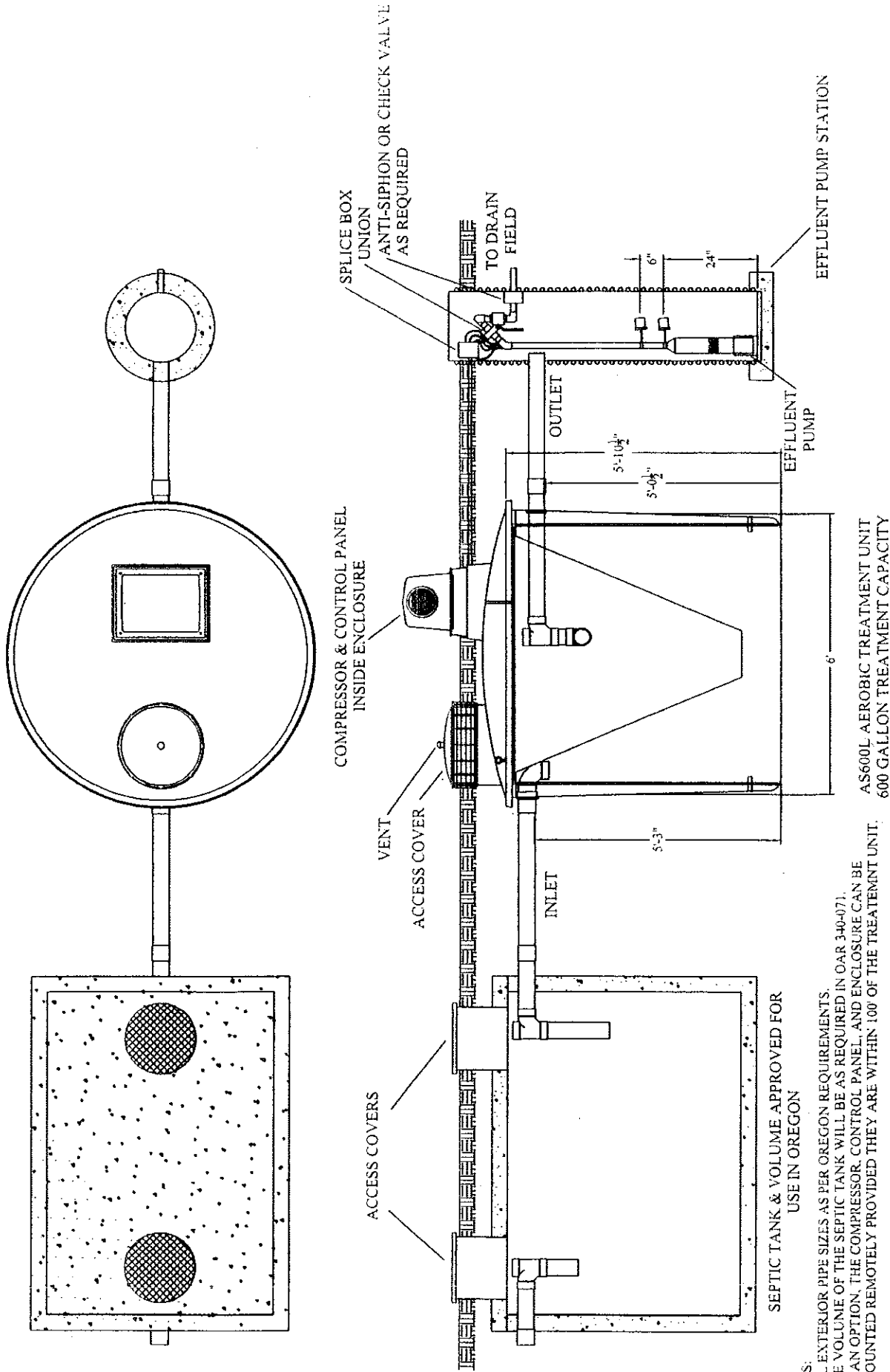
- NOTES:
1. ALL EXTERIOR PIPE SIZES AS PER OREGON REQUIREMENTS
  2. THE VOLUME OF THE SEPTIC TANK WILL BE AS REQUIRED IN OAR 340-071.
  3. AS AN OPTION, THE COMPRESSOR, CONTROL PANEL, AND ENCLOSURE CAN BE MOUNTED REMOTELY PROVIDED THEY ARE WITHIN 100' OF THE TREATMENT UNIT.

**ECOLOGICAL TANKS, INC**  
2477 HWY 151 NORTH  
DOWNSVILLE, LA 71234

**ETI 600 GPD UNIT W/ OREGON APPROVED SEPTIC TANK & HIGH HEAD PUMP STATION**

NO PART OF THIS DOCUMENT MAY BE REPRODUCED OR STORED IN ANY RETRIEVAL SYSTEM OR TRANSMITTED IN ANY FORM OR BY ANY MEANS, ELECTRONIC, MECHANICAL, PHOTOCOPYING, RECORDING OR BY ANY INFORMATION STORAGE AND RETRIEVAL SYSTEM, WITHOUT THE PRIOR WRITTEN PERMISSION OF ECOLOGICAL TANKS, INC.

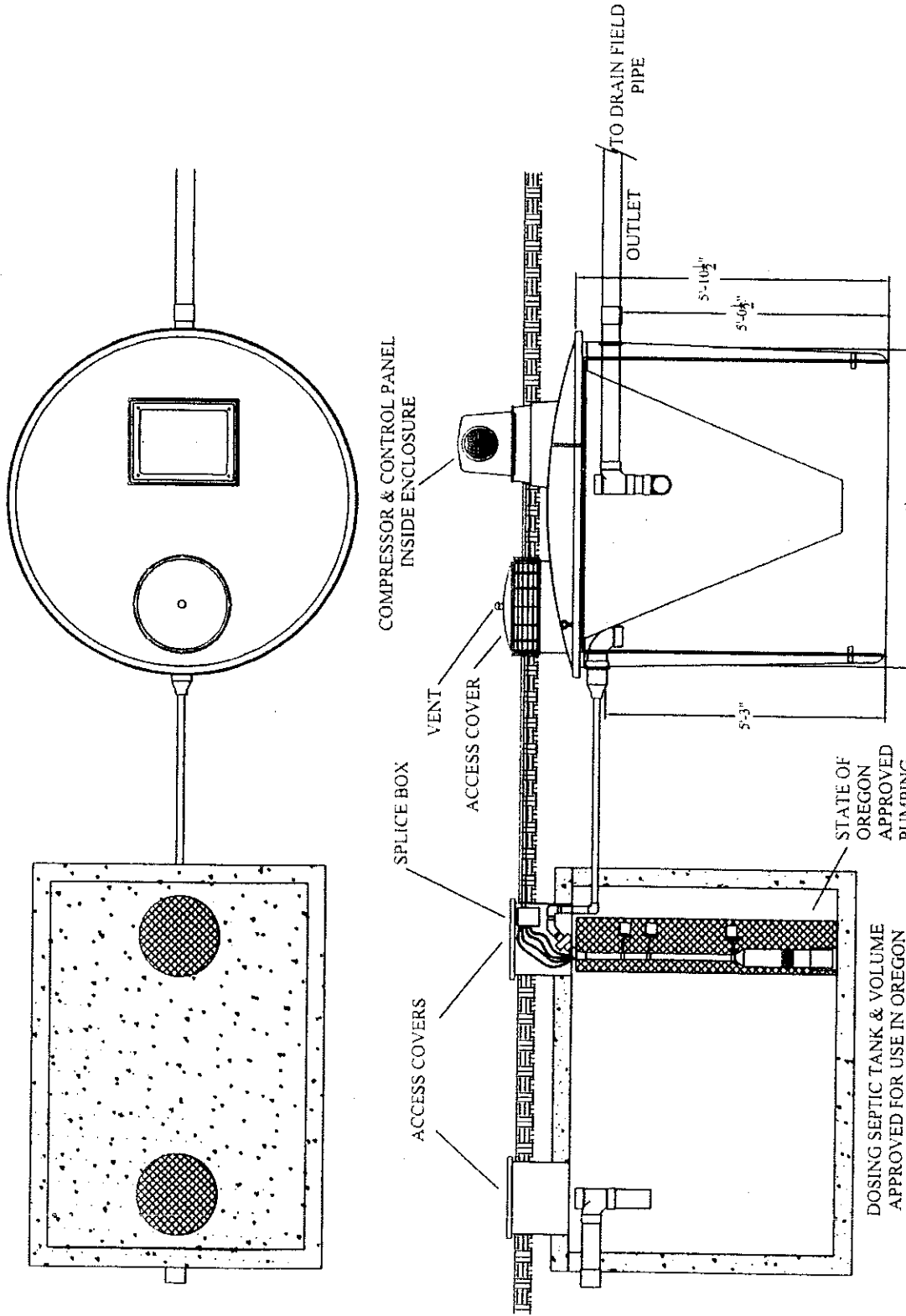
SCALE: NTS  
DATE: 10/19/09  
DRAWING NO. AS600L FLOATS)



NOTES:  
 1. ALL EXTERIOR PIPE SIZES AS PER OREGON REQUIREMENTS.  
 2. THE VOLUME OF THE SEPTIC TANK WILL BE AS REQUIRED IN OAR 340-071.  
 3. AS AN OPTION, THE COMPRESSOR, CONTROL PANEL, AND ENCLOSURE CAN BE MOUNTED REMOTELY PROVIDED THEY ARE WITHIN 100' OF THE TREATMENT UNIT.

AS600L AEROBIC TREATMENT UNIT  
 600 GALLON TREATMENT CAPACITY

<b>ETI 600 GPD UNIT W/ OREGON APPROVED SEPTIC TANK &amp; HIGH HEAD PUMP STATION</b>		15
<b>ECOLOGICAL TANKS, INC</b> 2477 HWY 151 NORTH DOWNSVILLE, LA 71234	<b>SCALE:</b> NTS	<b>DATE</b> 10/19/09
NO PART OF THIS DOCUMENT MAY BE REPRODUCED, STORED IN ANY RETRIEVAL SYSTEM, OR TRANSMITTED IN ANY FORM OR BY ANY MEANS, ELECTRONIC, MECHANICAL, PHOTOCOPYING, RECORDING, OR OTHERWISE WITHOUT THE PRIOR WRITTEN PERMISSION OF ECOLOGICAL TANKS, INC.		<b>DRAWING NO.</b> AS600L-1A (2 FLOATS)



**NOTES:**

1. ALL EXTERIOR PIPE SIZES AS PER OREGON REQUIREMENTS.
2. THE VOLUME OF THE SEPTIC TANK WILL BE AS REQUIRED IN OAR 340-071.
3. AS AN OPTION, THE COMPRESSOR, CONTROL PANEL, AND ENCLOSURE CAN BE MOUNTED REMOTELY PROVIDED THEY ARE WITHIN 100' OF THE TREATMENT UNIT.

**ETI 600 GPD UNIT W/ OREGON APPROVED DOSING SEPTIC TANK**

**ECOLOGICAL TANKS, INC**  
 2477 HWY 151 NORTH  
 DOWNSVILLE, LA 71234

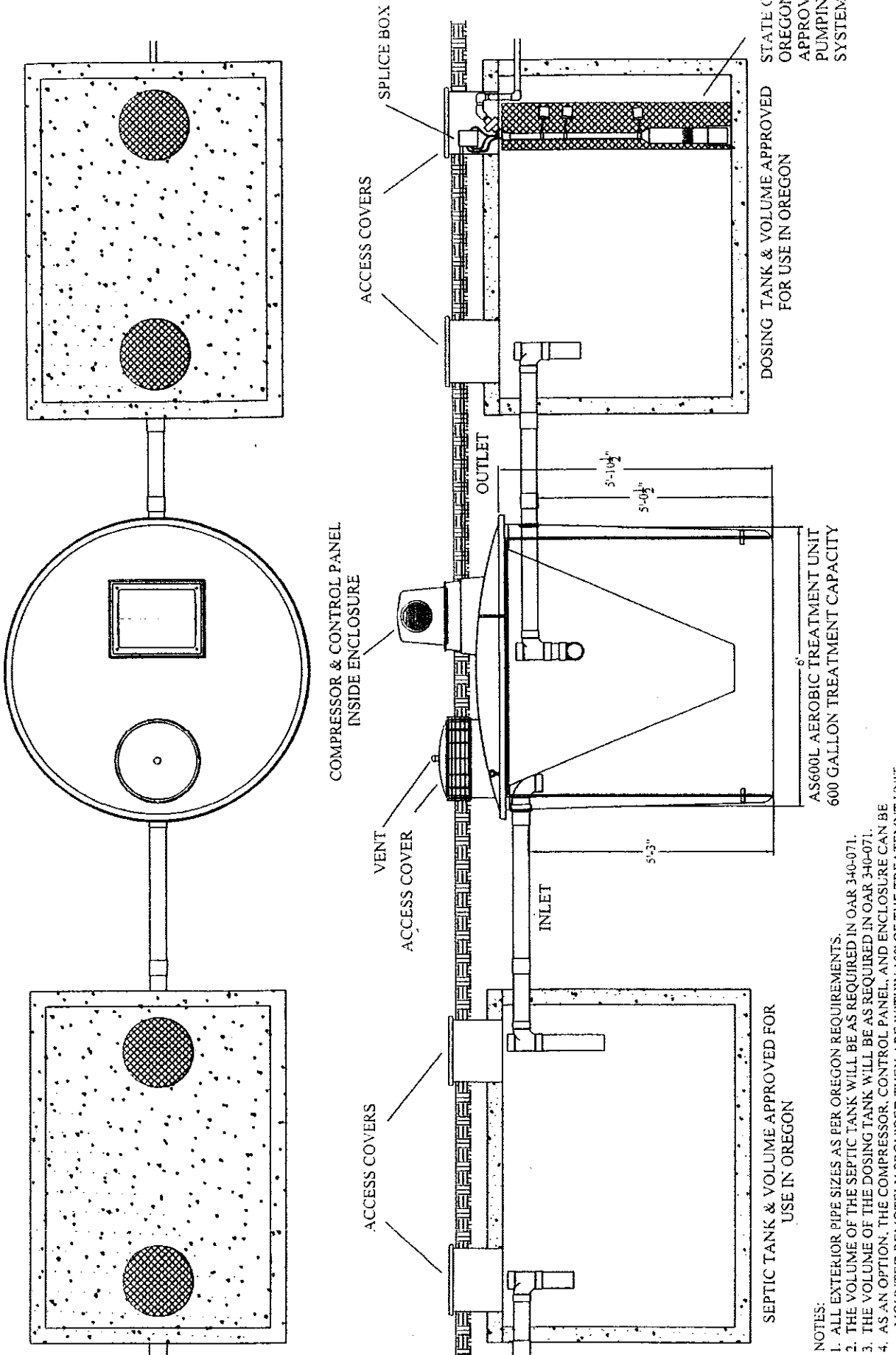
20

**SCALE:**  
 NTS

**DATE**  
 10/19/09

**DRAWING NO.**  
 AS 01-L-2

NO PART OF THIS DOCUMENT MAY BE REPRODUCED,  
 STORED IN ANY RETRIEVAL SYSTEM, OR TRANSMITTED  
 IN ANY FORM OR BY ANY MEANS, ELECTRONIC,  
 MECHANICAL, OR BY ANY INFORMATIONAL  
 SYSTEMS, WITHOUT THE PRIOR WRITTEN PERMISSION  
 OF ECOLOGICAL TANKS, INC.



NOTES:  
 1. ALL EXTERIOR PIPE SIZES AS PER OREGON REQUIREMENTS.  
 2. THE VOLUME OF THE SEPTIC TANK WILL BE AS REQUIRED IN OAR 340-071.  
 3. THE VOLUME OF THE DOSING TANK WILL BE AS REQUIRED IN OAR 340-071.  
 4. AS AN OPTION, THE COMPRESSOR, CONTROL PANEL, AND ENCLOSURE CAN BE MOUNTED REMOTELY PROVIDED THEY ARE WITHIN 100' OF THE TREATMENT UNIT.

SEPTIC TANK & VOLUME APPROVED FOR USE IN OREGON

AS600L AEROBIC TREATMENT UNIT  
 600 GALLON TREATMENT CAPACITY

STATE OF OREGON APPROVED PUMPING SYSTEM

DOSE TANK & VOLUME APPROVED FOR USE IN OREGON

ACCESS COVERS

ACCESS COVERS

SPLICE BOX

COMPRESSOR & CONTROL PANEL INSIDE ENCLOSURE

INLET

OUTLET

ECOLOGICAL TANKS, INC  
 2477 HWY 151 NORTH  
 DOWNSVILLE, LA 71234

ETI 600 GPD UNIT W/ OREGON APPROVED SEPTIC TANK & DOSING TANK

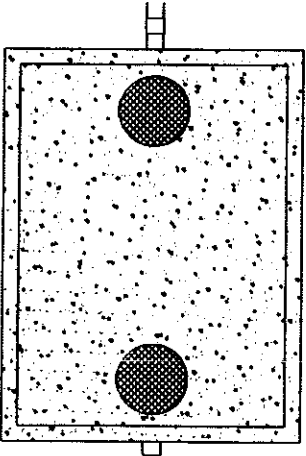
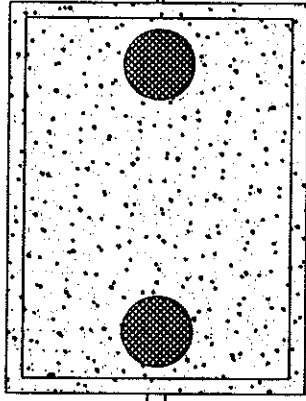
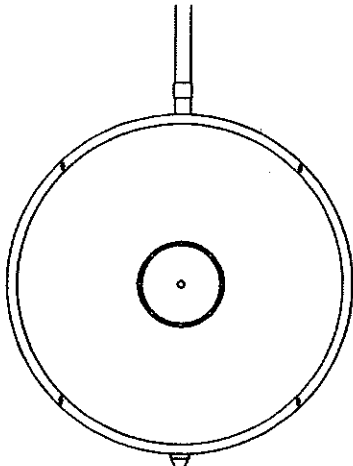
SCALE: NTS

DATE 10/19/09

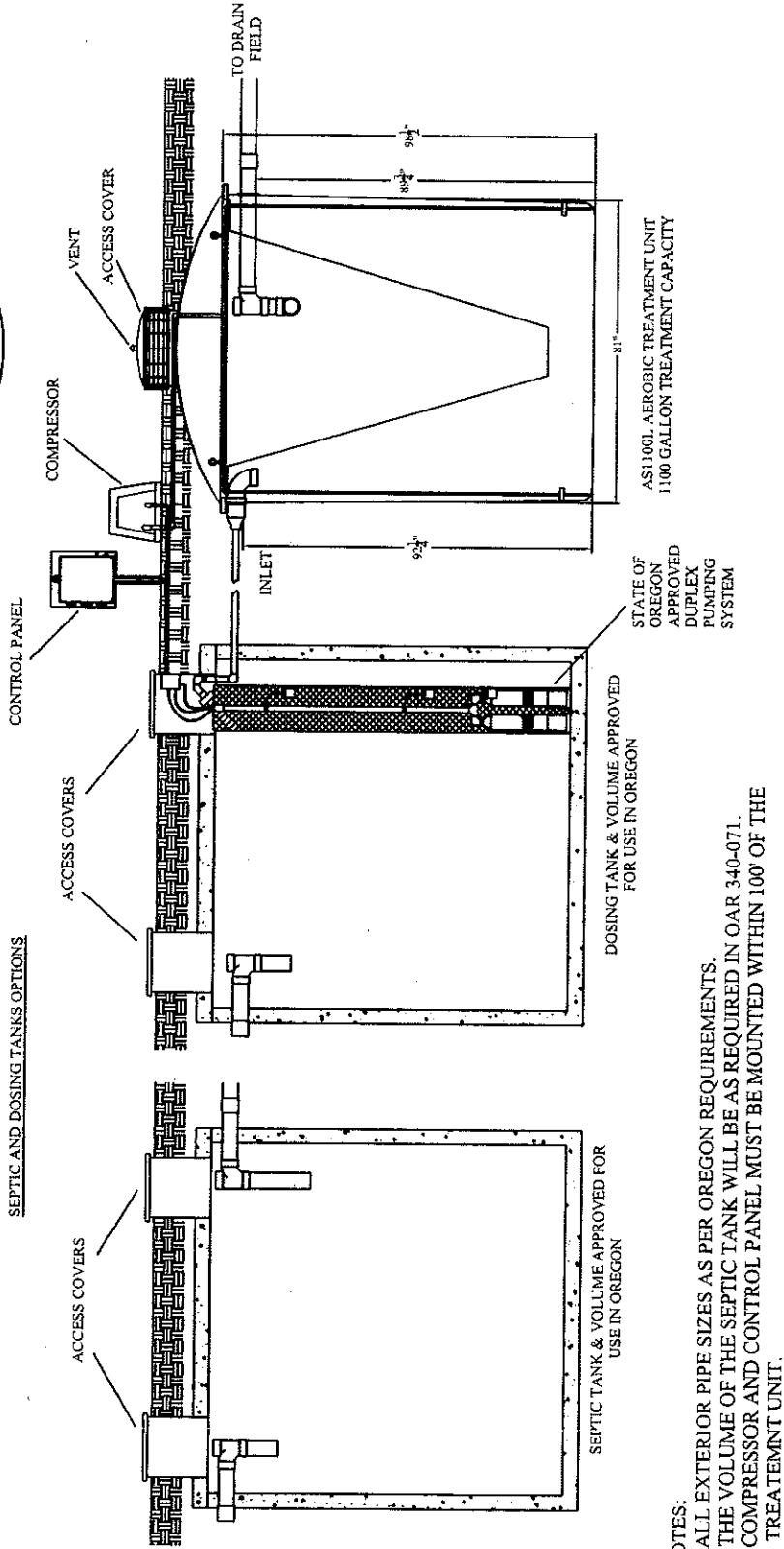
DRAWING NO. AS600L-3

21

NO PART OF THIS DOCUMENT MAY BE REPRODUCED, STORED IN ANY RETRIEVAL SYSTEM, OR TRANSMITTED IN ANY FORM OR BY ANY MEANS, ELECTRONIC, MECHANICAL, PHOTOCOPYING, RECORDING OR OTHERWISE WITHOUT THE PRIOR WRITTEN PERMISSION OF ECOLOGICAL TANKS, INC.

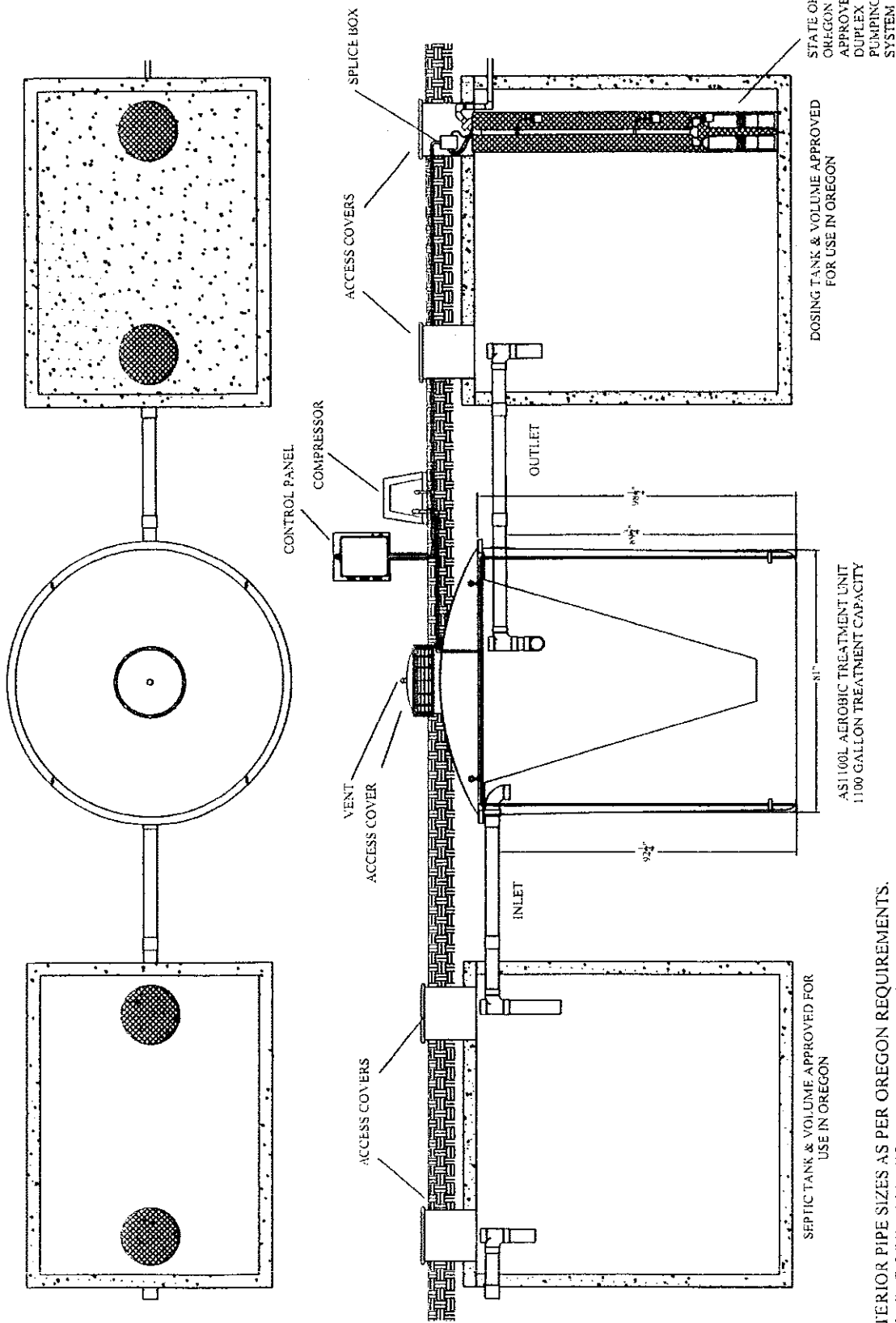


SEPTIC AND DOSING TANKS OPTIONS



- NOTES:
1. ALL EXTERIOR PIPE SIZES AS PER OREGON REQUIREMENTS.
  2. THE VOLUME OF THE SEPTIC TANK WILL BE AS REQUIRED IN OAR 340-071.
  3. COMPRESSOR AND CONTROL PANEL MUST BE MOUNTED WITHIN 100' OF THE TREATMENT UNIT.

<p><b>ETI 1100 GPD UNIT W/ OREGON APPROVED PRECEDING SEPTIC &amp; DOSING TANKS</b></p>		<p>22</p>
<p><b>ECOLOGICAL TANKS, INC</b> 2477 HWY 151 NORTH DOWNSVILLE, LA 71234</p>	<p>SCALE: NTS</p>	<p>DATE 10/19/09</p>
<p>NO PART OF THIS DOCUMENT MAY BE REPRODUCED, STORED IN ANY RETRIEVAL SYSTEM OR TRANSMITTED IN ANY FORM OR BY ANY MEANS, ELECTRONIC, MECHANICAL, PHOTOCOPYING, RECORDING OR OTHERWISE, WITHOUT THE PRIOR WRITTEN PERMISSION OF ECOLOGICAL TANKS, INC.</p>		
<p>DRAWING NO. AS110C</p>		



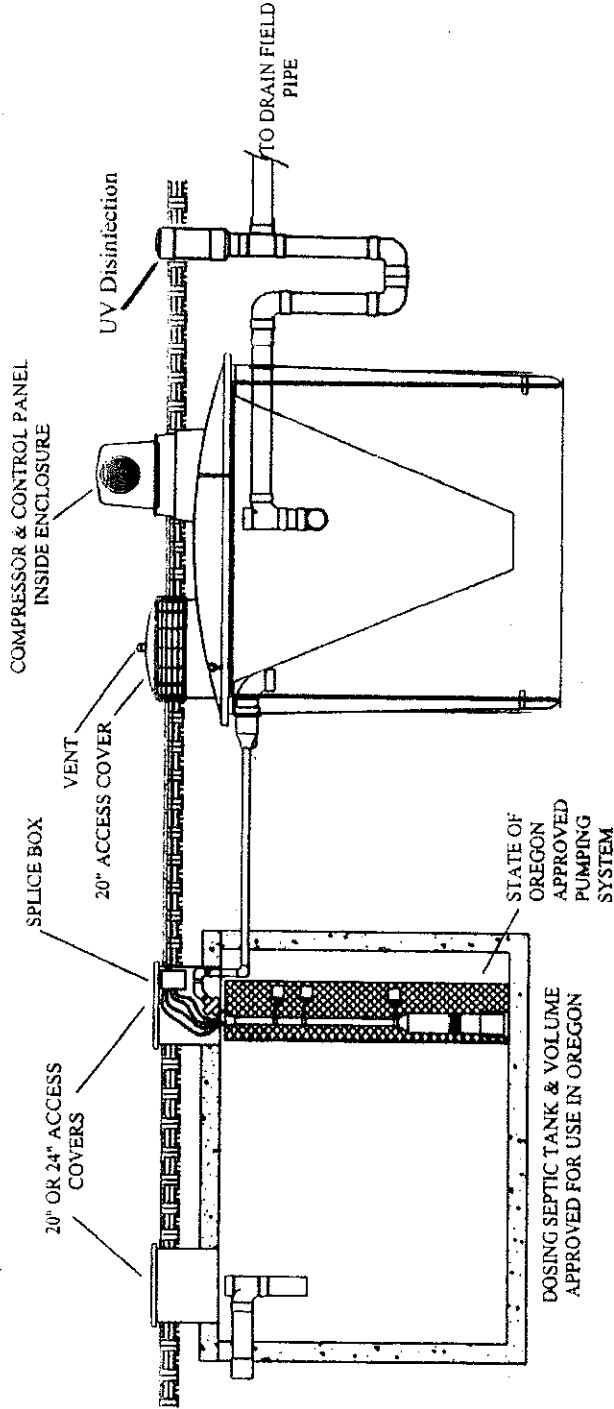
NOTES:

1. ALL EXTERIOR PIPE SIZES AS PER OREGON REQUIREMENTS.
2. THE VOLUME OF THE SEPTIC TANK WILL BE AS REQUIRED IN OAR 340-071.
3. THE VOLUME OF THE DOSING TANK WILL BE AS REQUIRED IN OAR 340-071.
4. COMPRESSOR AND CONTROL PANEL MUST BE MOUNTED WITHIN 100' OF THE TREATMENT UNIT.

**ECOLOGICAL TANKS, INC**  
 2477 HWY 151 NORTH  
 DOWNSVILLE, LA 71234

**ETI 1100 GPD UNIT W/ OREGON APPROVED SEPTIC TANK & DUPLEX HIGH HEAD PUMP STATION**

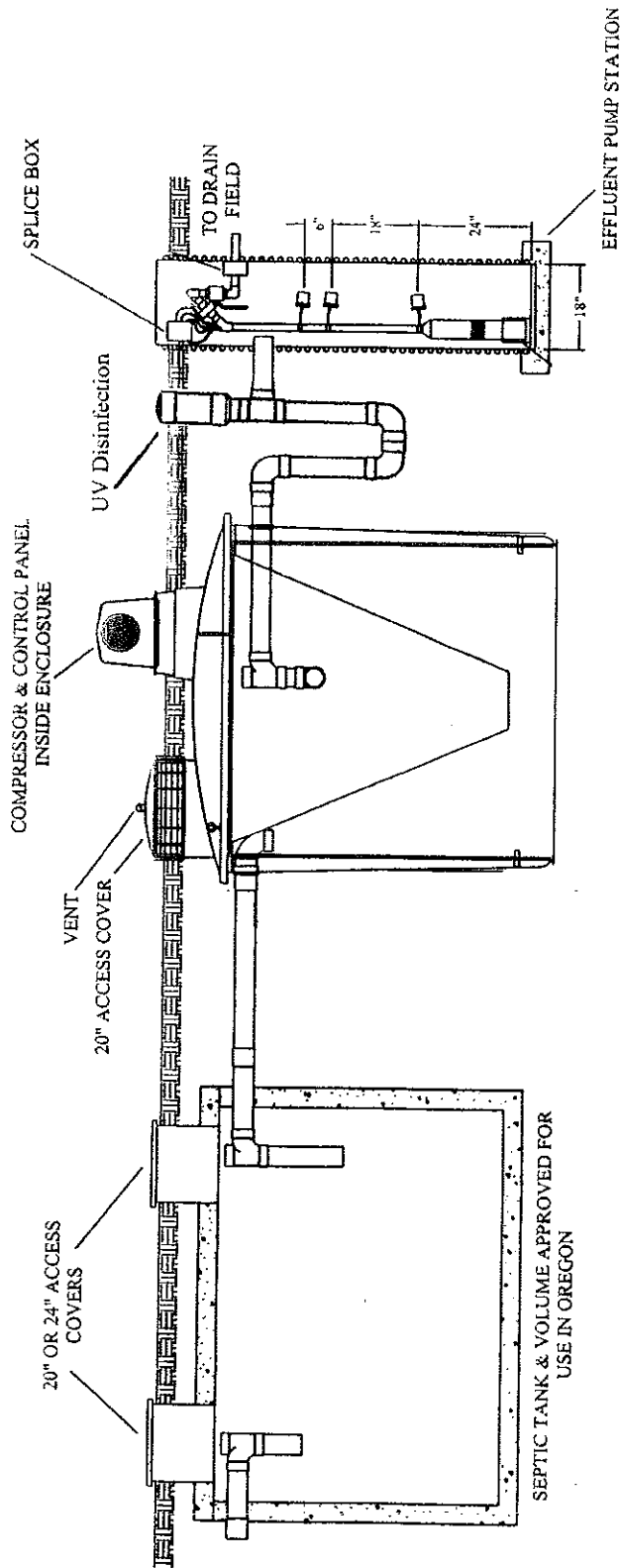
NO PART OF THIS DOCUMENT MAY BE REPRODUCED, STORED IN ANY RETRIEVAL SYSTEM OR TRANSMITTED IN ANY FORM OR BY ANY MEANS, ELECTRONIC OR MECHANICAL, PHOTOCOPYING, RECORDING OR OTHERWISE, WITHOUT THE PRIOR WRITTEN PERMISSION OF ECOLOGICAL TANKS, INC.



- NOTES:
1. ALL EXTERIOR PIPE SIZES AS PER OREGON REQUIREMENTS.
  2. THE VOLUME OF THE SEPTIC TANK WILL BE AS REQUIRED IN OAR 340-071.
  3. AS AN OPTION, THE COMPRESSOR, CONTROL PANEL, AND ENCLOSURE CAN BE MOUNTED REMOTELY PROVIDED THEY ARE WITHIN 100' OF THE TREATMENT UNIT.

<b>Aqua Safe® AS600+4NR + The Disinfecter "UV"</b> <b>w/ approved Dosing Septic Tank</b>		<b>DRAWING NO.</b> AS600+4NR + UV (1)
<b>ECOLOGICAL TANKS, INC</b> 2477 HWY 151 NORTH DOWNSVILLE, LA 71234		<b>DATE</b> 10/19/09
<small>NO PART OF THIS DOCUMENT MAY BE REPRODUCED, STORED IN ANY RETRIEVAL SYSTEM, OR TRANSMITTED IN ANY FORM OR BY ANY MEANS, ELECTRONIC, MECHANICAL, PHOTOCOPYING, RECORDING OR OTHERWISE WITHOUT THE PRIOR WRITTEN PERMISSION OF ECOLOGICAL TANKS, INC.</small>		<b>SCALE:</b> NTS

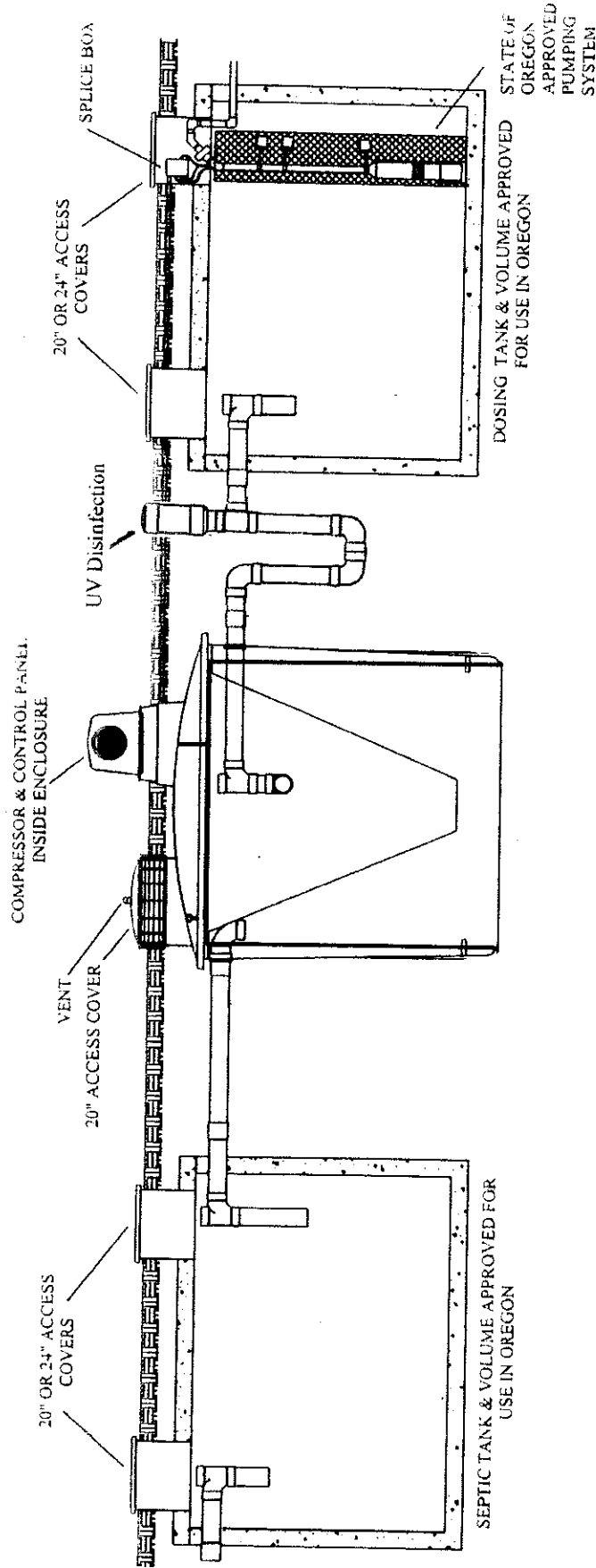




NOTES:

1. ALL EXTERIOR PIPE SIZES AS PER OREGON REQUIREMENTS.
2. THE VOLUME OF THE SEPTIC TANK WILL BE AS REQUIRED IN OAR 340-071.
3. AS AN OPTION, THE COMPRESSOR, CONTROL PANEL, AND ENCLOSURE CAN BE MOUNTED REMOTELY PROVIDED THEY ARE WITHIN 100' OF THE TREATMENT UNIT.

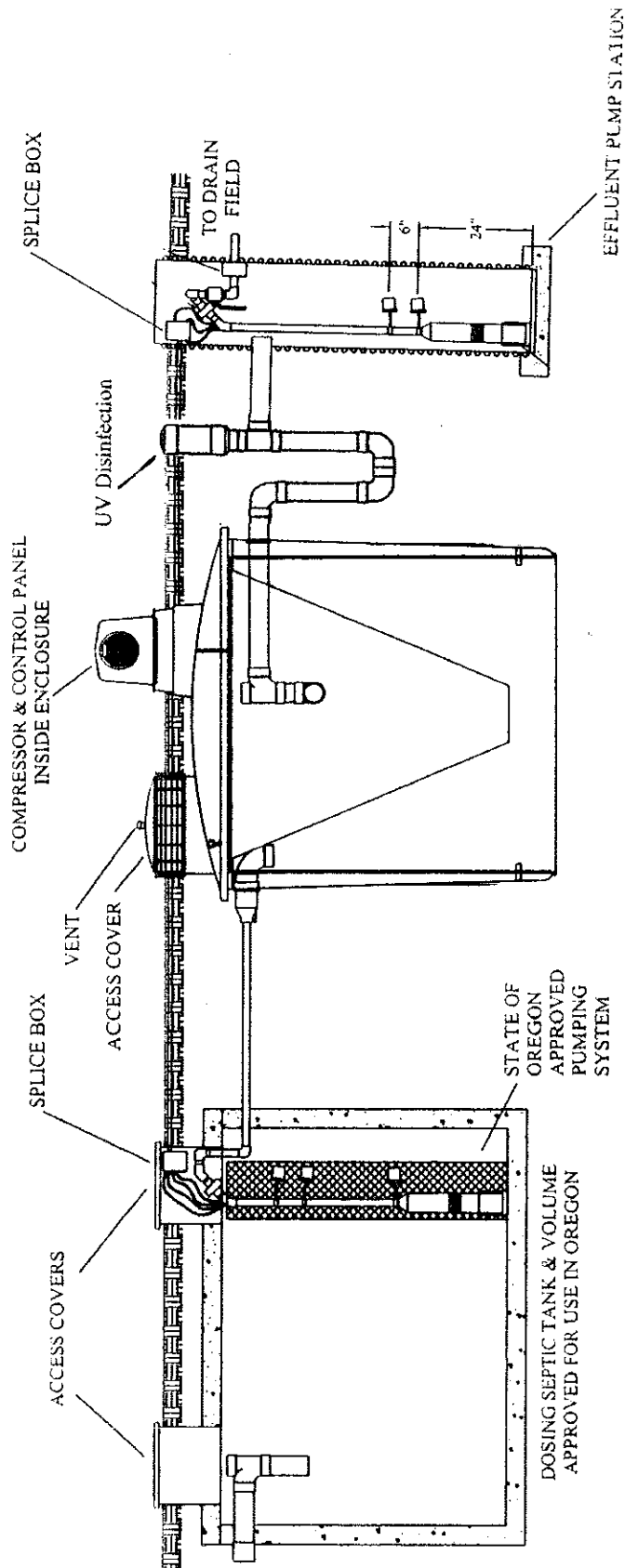
<p><b>ECOLOGICAL TANKS, INC</b>                  2477 HWY 151 NORTH                  DOWNSVILLE, LA 71234</p>	<p><b>Aqua Safe<sup>®</sup> AS600+4NR + "The Disinfecter" "UV7"</b>  <b>w/ Small Diameter Effluent Pump Vault</b></p>			<p>DRAWING NO.                  AS600+4NR + UV (2)</p>
<p><small>NO PART OF THIS DOCUMENT MAY BE REPRODUCED, STORED IN ANY RETRIEVAL SYSTEM, OR TRANSMITTED IN ANY FORM OR BY ANY MEANS, ELECTRONIC, MECHANICAL, PHOTOCOPIING, RECORDING OR OTHERWISE WITHOUT THE PRIOR WRITTEN PERMISSION OF ECOLOGICAL TANKS, INC.</small></p>		<p>SCALE:                  NTS</p>	<p>DATE                  10/19/09</p>	



NOTES:

1. ALL EXTERIOR PIPE SIZES AS PER OREGON REQUIREMENTS.
2. THE VOLUME OF THE SEPTIC TANK WILL BE AS REQUIRED IN OAR 340-071.
3. AS AN OPTION, THE COMPRESSOR, CONTROL PANEL, AND ENCLOSURE CAN BE MOUNTED REMOTELY PROVIDED THEY ARE WITHIN 100' OF THE TREATMENT UNIT.

<p><b>Aqua Safe® AS600+4NR + "The Disinfecter" "UV"</b> w/ approved Effluent Dosing Septic Tank</p>		<p>DRAWING NO. AS600+4NR + UV (3)</p>
<p><b>ECOLOGICAL TANKS, INC</b> 2477 HWY 151 NORTH DOWNSVILLE, LA 71234</p>		<p>DATE 10/19/09</p>
<p>NO PART OF THIS DOCUMENT MAY BE REPRODUCED STORED IN ANY RETRIEVAL SYSTEM OR TRANSMITTED IN ANY FORM OR BY ANY MEANS, ELECTRONIC MECHANICAL, PHOTOCOPIING, RECORDING OR OTHERWISE WITHOUT THE PRIOR WRITTEN PERMISSION OF ECOLOGICAL TANKS, INC.</p>		<p>SCALE: NTS</p>

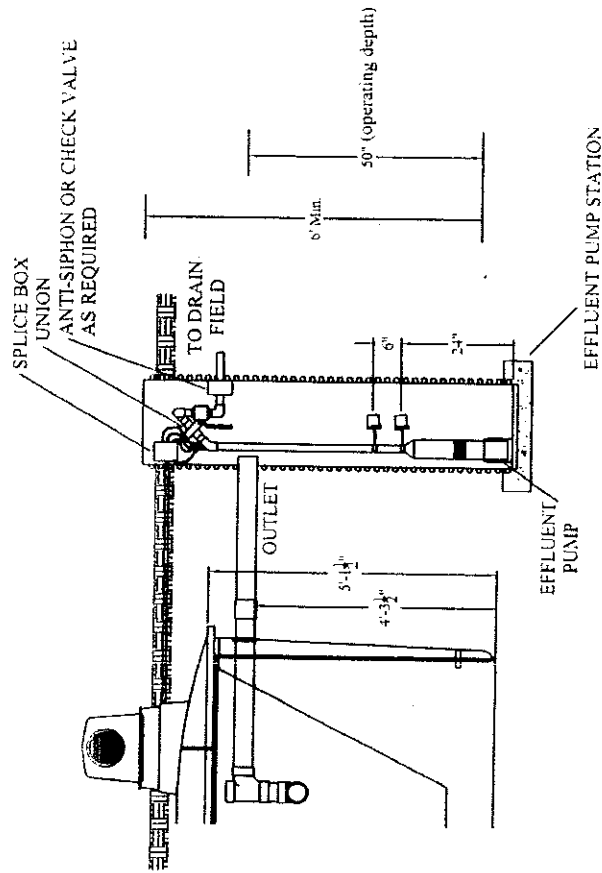


- NOTES:
1. ALL EXTERIOR PIPE SIZES AS PER OREGON REQUIREMENTS.
  2. THE VOLUME OF THE SEPTIC TANK WILL BE AS REQUIRED IN OAR 340-071.
  3. AS AN OPTION, THE COMPRESSOR, CONTROL PANEL, AND ENCLOSURE CAN BE MOUNTED REMOTELY PROVIDED THEY ARE WITHIN 100' OF THE TREATMENT UNIT.

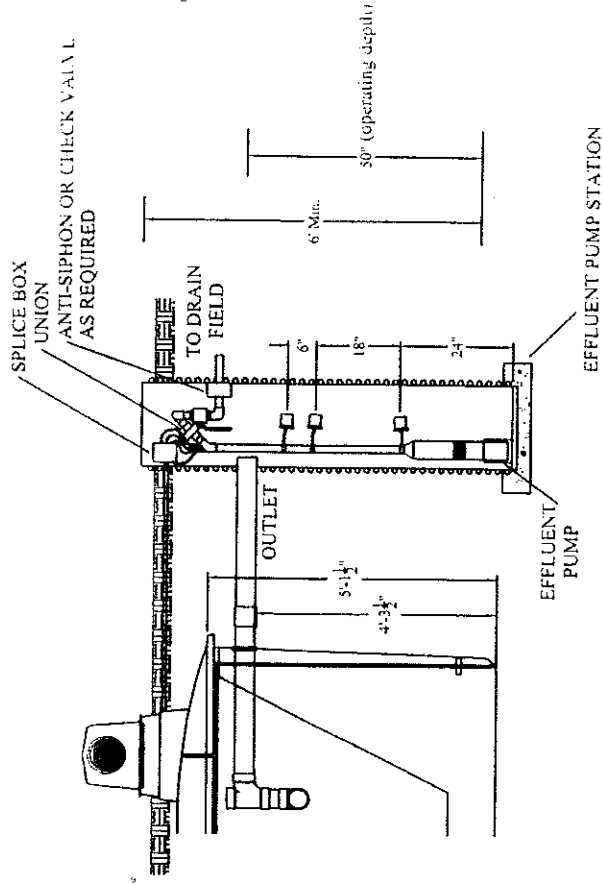
<p><b>ECOLOGICAL TANKS, INC</b>                  2477 HWY 151 NORTH                  DOWNSVILLE, LA 71234</p>		<p><b>Aqua Safe® AS600+4NR + "The Disinfecter "UV"</b>                  w/ approved Dosing Septic Tank and Effluent Pump Vault</p>	
<p>NO PART OF THIS DOCUMENT MAY BE REPRODUCED, STORED IN ANY RETRIEVAL SYSTEM, OR TRANSMITTED IN ANY FORM OR BY ANY MEANS, ELECTRONIC, MECHANICAL, PHOTOCOPIING, RECORDING OR OTHERWISE WITHOUT THE PRIOR WRITTEN PERMISSION OF ECOLOGICAL TANKS, INC.</p>		<p>SCALE:                  NTS</p>	<p>DATE                  10/19/09</p>
		<p>DRAWING NO.                  AS600+4NR + UV (4)</p>	

# Specifications for Aqua Safe® Small Diameter Pump Vaults

Two (2) Float Design



Three (3) Float Design



Pump Down Volumes

<u>18" Diameter</u>	<u>24" Diameter</u>	<u>30" Diameter</u>	<u>36" Diameter</u>
<u>1.1 gallons/inch</u>	<u>2.0 gallons/inch</u>	<u>3.1 gallons/inch</u>	<u>4.4 gallons/inch</u>

### III. AQUA SAFE<sup>®</sup> RECOMMENDED PLANT INSTALLATION INSTRUCTIONS

1. Inspect entire treatment plant and component parts.
2. Select location of plant site which is accessible to the home sewer discharge line, at least ten (10) feet from the home foundation, in an area that will not receive vehicular traffic. Prepare an excavation site by digging a hole at least one (1) foot larger than the treatment plant and a depth that will allow for sufficient coverage leaving approximately three (3) inches of the inspection port to extend above normal ground level. The depth of the plant will be controlled by the depth of the building sewer outlet line plus the amount of proper fall required from the building sewer outlet to the inlet invert of the plant. The prepared excavation must have a solid, level bottom that will eliminate plant settling. Additionally, the bottom of the excavated hole must be free of rocks or sharp objects. Aqua Safe<sup>®</sup> plants can be installed either on a bed of sand or undisturbed soil to provide a solid flat base.
3. Utilizing lifting lugs provided, carefully place the plant in the excavation. Insure that the inlet line slopes down toward the plant and the outlet line slopes down away from the plant. Insure that the plant is level to within one (1) inch, edge to edge. Aqua Safe<sup>®</sup> wastewater treatment plants should only be connected to properly trapped and vented plumbing systems in compliance with state and local plumbing codes.
4. Position the inlet and outlet lines and make the necessary connections. Provide clean-outs at the building sewer tie-in, any changes in direction of flow and at intervals as required by State/local codes when using four (4) inch piping. The inlet line must be inserted and glued into the inlet elbow and the discharge must be inserted and glued into the outlet coupling. Open the inspection port on top of the plant and make sure the discharge tee assembly is level and centered in the clarifier prior to connecting discharge piping. Fill the tank with water to the point of flowing discharge before backfilling. Backfill evenly around the plant, up to the bottom of the inlet and outlet piping, taking care not to damage the tank or dislodge the piping. Backfill material must be void of rocks, gravel, heavy clay or any type of material which might damage the tank.
5. If multiple tanks are installed in the same excavation, position the tanks as close together as possible. Preferably, they should be a minimum of twelve (12) inches and not more than twenty-four (24) inches apart. Provide a minimum fall of at least  $1/8 - 1/4$  inch per foot for the piping connecting the tanks.
6. The aerator compressor must be installed in a well ventilated, relatively clean and dry location. Install the aerator compressor on the treatment plant's tank top or at a remote location no more than one hundred (100) feet from the treatment plant. The aerator compressor is supplied complete with all discharge fittings. Install  $3/4$  inch schedule 40 PVC piping (supplied by others) between the aerator and treatment plant. Be careful not to allow any debris, dirt or mud in the airline during installation. Provide a minimum of twelve (12) inches ground cover over the  $3/4$  inch schedule 40 PVC air piping.
7. The electrical controls for the aerator compressor, visual and audible alarms for compressor failure and high water conditions, dosing pump and/or timer are contained in a weather proof enclosure. (See figures 4-22). Install the enclosure in any above ground area where the warning light is visible to the owner during the course of a normal day's activities. Install

the control box at least six (6) inches above ground level and in view of the aerator compressor housing. All electrical wiring must comply with applicable standards and shall conform to the requirements of the most current revision of the National Electrical Code. All electrical components not supplied must comply with U.L. standards. We recommend that all electrical connections be made by a licensed electrician.

8. Install electrical wiring (provided by others) to interconnect the aerator compressor and alarms to the electrical control panel. (Reference applicable field wiring diagrams.) Provide a minimum of twelve (12) inches of ground cover over underground electrical conduit and wiring.
9. If required, install the application pump in the pump tank. Most aerobic system designs that utilize a pump with the method of effluent disposal, such as low pressure dosing, should include the proper sized pump for the job. If not, once the pumping conditions are determined, selection of the right pump will be determined by two factors, pump capacity and total head needed. You must match the pump as closely to your conditions as possible to get maximum pump efficiency and dependable operation. Install and set the float switches to the appropriate level to comply with design and state requirements.
10. Run approved conduit and wiring to the pump tank from the control panel and have a qualified electrician make wiring connections. All conduit running from the pump tank to control panel must be sealed with conduit sealant to prevent moisture or gases from entering the panel.
11. The aerator compressors used on **Aqua Safe®** wastewater treatment plants run continuously. They provide relatively quiet, energy efficient operation. Once properly connected, the electrical control box is to be closed. Operate the aerator compressor by placing the on/off electrical circuit (provided by others) in the ON position.
12. Turn on aerator compressor and check all air piping and fittings for leaks. This can be accomplished by preparing a saturated solution of soap and water and applying to entire run of pipe and fittings. If a leak is detected, effect repairs.
13. Carefully backfill all underground lines and the rest of the plant's excavation in a manner which will not cause damage to the completed installation.
14. The **Aqua Safe®** plant is ready to receive incoming sewage.

#### IV. AQUA SAFE® PLANT START UP

Initially the **Aqua Safe®** wastewater treatment plant is filled with clean water, usually from an owner's water supply. As stated in the installation instructions, once all proper connections have been completed and it is filled with water and the aerator compressor turned on, the system is now in operation. For the treatment plant to be biologically stable, it will take from four (4) to twelve (12) weeks after first using the plant to develop a population growth of microorganisms (bacteria). It is these bacteria which make the treatment system operate.

## V. OWNER MAINTENANCE, CARE AND OPERATION INSTRUCTIONS

Aqua Safe<sup>®</sup> home wastewater treatment plants have been designed and built by Ecological Tanks, Inc. to provide long term, reliable and cost-efficient service. Our treatment plants will operate with a minimum amount of attention.

If service is required, reference the system's DATA PLATES located on the Aqua Safe<sup>®</sup> control panel or aerator compressor for the plant's model number, the name, address and phone number of the local service person that can provide service. Perform the following procedure on a routine basis to insure proper plant operation:

**DAILY:** Check warning light and audible alarm located on the plant's control panel for air supply malfunction or in system high water indication. If an alarm on condition is observed, it is an indication of malfunction. First check the electrical circuit providing power to the system to insure the circuit is closed. Check the aerator compressor to be sure it is operating. Check for over heating, excessive vibrations and unusual noises. If aerator compressor failure is observed, call your service provider for service. After a power outage, an alarm condition may exist. Should an alarm remain on for more than thirty (30) minutes after power is restored, contact your local service provider to report the alarm.

**WEEKLY:** Check the treatment plant for offensive odor. If present call for service.

**PERIODICALLY:** Check and clean the air filter on aerator compressor. Rinse with warm water to clean if necessary. Make sure filter is dry and re-install on aerator compressor.

**RECOMMENDED:** Frequency of solids removal is no more often than every two (2) to five (5) years. Determination of the need for pumping can be made only by a trained service person by testing the tank contents and/or effluent. Normally, the Aqua Safe<sup>®</sup> wastewater treatment plant should be pumped when the settled solids are approximately sixty (60) percent of the total volume.

**WARNING** -Hydraulic displacement and tank flotation may occur whenever tanks are pumped. Upon completion of pumping, tank **must** be refilled with water. Additionally, care should be taken not to damage internal component parts. A certified Aqua Safe<sup>®</sup> service technician should oversee tank pumping.

## VI. OWNER'S RESPONSIBILITY

It is the *owner's responsibility* to operate the Aqua Safe<sup>®</sup> wastewater treatment plant to the best of their ability. To keep maintenance to a minimum and insure high effluent quality, do not permit the following items to enter the treatment plant:

1. Strong disinfectants or bleaches, other than small amounts used in day to day house cleaning and laundries. Recommended detergents are low-sudsing, low phosphates and biodegradable. Recommended cleaning products are non-chlorine, non-toxin, non-corrosive and biodegradable. Anti-bacteria soaps should be avoided.
2. Backwash discharge from any type of water softeners.

3. Citrus products, coffee grounds, chemical wastes, paint thinners, oils or grease (such as used cooking grease), pet shampoo, pet dip disinfectant, pesticides, herbicides, automotive fluids or any other toxins.
4. Disposable diapers, tampons, sanitary napkins, large quantities of paper products, tobacco products or similar items. Home brewery waste, strong medicines and antibiotics.
5. Discharging waste material from a garbage disposal is not recommended without the use of a trash trap or pretreatment tank preceding the Aqua Safe<sup>®</sup> plant. Food waste represents additional loading that the aerobic treatment unit would have to digest, increasing pump out frequencies.
6. The Aqua Safe<sup>®</sup> wastewater treatment plant is designed for the treatment of **domestic wastewater** and nothing else should go into it. During extended period of intermittent or non-use, such as vacation time, the aerobic bacteria inside the plant will decrease due to no food in the form of incoming wastewater. The treatment plant will become biologically stable again soon after the resumption of normal loading. The aerator compressor should be left on during periods of vacation time. During extended periods of absolute non-use (3 months or longer) remove, clean and store the compressor with the compressor's inlet and outlet sealed. Additionally, cap the air line piping to prevent debris from entering the air distribution system.

The Aqua Safe<sup>®</sup> plant will not perform to its fullest capabilities if subject to hydraulic overloading. This condition exists whenever excessive water, above the plants designed treatment capacity, is allowed into the plant. Leaking plumbing fixtures or excessive water use may cause this condition. Hydraulic overload may also occur on wash days, when multiple loads of laundry are washed in succession.

**Ecological Tanks, Inc.** is not responsible for the infield operation of our plants. The proper operation of this wastewater treatment plant depends upon proper organic and hydraulic loading of the plant. We cannot control the loading of substances in our plants that may upset its biological balance. We can only provide a complete owner's manual which outlines materials that should be kept out of the treatment plant. User operation instructions must be followed or warranties are subject to invalidation.

**WARNING!** Ants and rodents are destructive to the mechanical and electrical equipment on wastewater treatment plants. Care should be taken to prevent infestation of ants near the plant. Damage or destruction of mechanical or electrical equipment by ants or rodents is not covered under manufacturer's warranty.

Any and all safety requirements such as the electrical wiring, blower operation or plant discharge concerning the owner, their families, friends, or guests is the sole liability of the owner (see warranty and service policy).

The electrical control panel contains a schematic for the system. However, the electrical control panel is sealed and contains no user serviceable parts. Test and alarm silence switches are located on the outside of control panel.

**WARNING!** Service to the electrical control panel by a non-qualified person may result in an electrical shock hazard resulting in serious injury or death. If service is required contact your local authorized installer representative or maintenance provider.



## VII. INSTALLER/MAINTENANCE PROVIDER OPERATION, REPAIR AND TROUBLESHOOTING

Previous sections in this manual have covered the **Ecological Tanks, Inc. Aqua Safe**® system's functions, specifications, design, proper installation procedures, start up, owner care and operation instructions. If at this point, you are not totally familiar with the material already covered, you should read it again.

Please pay particular attention to the preceding section titled Owner's Responsibility. This section covers information critical to the plant's proper loading and function. You will find that this same information is listed in the **Ecological Tanks, Inc. Aqua Safe**® Owner's Manual. Your assurance of the owner's receipt of their manual and the explanation of the manual's contents are most critical to the plant's proper operation.

You will find, in the following sections of this manual, the Initial Service Policy. It covers information required of you as a maintenance provider in order for you to provide service in compliance with NSF/ANSI Standard 40. Additionally, most states have added to the requirements of this policy. You must know and adhere to all other regulatory agency requirements concerning mechanical plant service/maintenance standards. **Ecological Tanks, Inc. Aqua Safe**® wastewater treatment plants should be inspected every six months for proper operation. Two years of maintenance (includes a minimum of 4 inspections) is provided as a part of the systems certification requirements. Ongoing maintenance is usually part of a service agreement maintained between an owner and maintenance provider. Inspections include any necessary adjustment of electrical controls and servicing of the component parts and also include a visual check of hoses, wires, leads, contacts, cleaning of filters, removal of organic particles, and testing of alarms to ensure proper function. An effluent quality inspection consists of a visual check for color, turbidity, scum overflow, and an examination for odors. A mixed liquor inspection may be necessary if the plant is not performing properly or if offensive odors are present. If any improper operation is observed which cannot be corrected at that time, the user shall be notified in writing immediately. This notification shall advise the owner of the problem, if it is covered by the warranty, if not, the cost related to correcting the problem and estimated date for correction of said problem.

### VII-1. EXAMPLE OF A ROUTINE MAINTENANCE SERVICE CALL

First check the system's control panel for any alarm or failure indication. Check the panel to insure proper incoming power by testing the incoming power supply. If you know power is incoming into the control panel, check the circuit feeding the control panel. Next, check the aerator simply to insure that it is running and then go directly to the treatment plant for an effluent quality inspection as outlined in the service policy section. At this point pay particular attention to odors you notice at the plant (or pump tank if applicable). You may notice an earthy smell which is nothing more than carbon dioxide gas emitted by the aerobic bacteria in the plant. There may be a sweet smell or no smell at all and that's good. Should you experience an obnoxious odor, something is wrong. Access the aeration mixing compartment, if necessary, to examine the mixed liquid and air diffusion system.

Return to the control panel, check for proper functions as outlined in this manual. Also, reference the troubleshooting guidelines covered on pages 31-32. Before servicing the control panel and

alarm system, disconnect power to the control panel.

Clean or replace the aerator compressor air filter at this time. If you experienced an offensive odor when at the plant and heard little or no bubbling, finding a clogged or extremely dirty air filter may be the problem. Turn on the aerator at this time and check for any air leak between the aerator and the 3/4" schedule 40 PVC piping. If a leak is detected, effect repair. If a leak is not detected, the following steps should be taken.

Remove the aerator from the rubber hose connection and install a low pressure gauge between the PVC piping and aerator. Turn on the aerator and note the pressure. If the line pressure is below 1.5 P.S.I., then there is a leak between the aerator and the air distribution system in the treatment plant or the aerator's diaphragm is ruptured. (See the aerator compressor repair section.) Determine the cause and effect repairs at this time. If a pressure above 3.5 P.S.I. is noted, the air system piping diffuser assembly is blocked. You can clear the air distribution system's blockage by charging the air distribution piping with compressed air (no more than 80 P.S.I.). Re-check the line pressure after any maintenance procedure to the plant's air distribution piping to insure the correct pressure range. The normal line pressure should be between 1.83 P.S.I. and 2.85 P.S.I.

**VII-2. SCHEDULE OF ROUTINE SERVICE AND MAINTENANCE EVENTS**

<b>Routine Inspections.....</b>	<b>6 months (or as required by state/local agency)</b>
<b>Air Filters Cleaning/Replacement.....</b>	<b>6 months</b>
<b>Compressor Diaphragm Replacement.....</b>	<b>2-3 years</b>
<b>Compressor Replacement.....</b>	<b>6-8 years</b>
<b>Removal of Residuals from ATU/pre-tank.....</b>	<b>2-5 years</b>
<b>Replacement of UV Bulbs (if applicable).....</b>	<b>2 years</b>

**VII-3. AERATOR COMPRESSOR REPAIR**

Linear aerator compressors (See Page 25) are used on all models of the Aqua Safe<sup>®</sup> wastewater treatment plants. They provide quiet energy efficient operation. Additionally, rotary vane compressors (See Page 26) are provided upon request, in-lieu of linear aerator compressors. All aerator compressors on all models of the Aqua Safe<sup>®</sup> aerobic wastewater treatment plants run continuously.

Periodic aerator compressor maintenance will help you to operate the aerator in the optimum condition and insure longer aerator life. Air filters should be cleaned every six months and replaced as necessary. **Ecological Tanks, Inc.** recommends that the air filters be replaced once a year. The plant's air distribution piping pressure should be measured at least once per year. Aerator compressors must be operated at the recommended output pressure range which is between 1.5 and 3.5 P.S.I. Aerator life is shortened if operations outside of the specified pressure ranges occur.

**Ecological Tanks, Inc.** recommends the diaphragm blocks on linear aerator compressors be replaced every three years. We also recommend that the vanes be replaced every four years on

rotary vane aerator compressors. Referring to Pages 25-26, note the following text for diaphragm block and vane replacement procedures:

### LINEAR COMPRESSOR HEAD AND DIAPHRAGM REPLACEMENT

1. Remove linear blower from electrical power and move to a well lit spot.
2. Remove the top plastic cover and discard the filter element.
3. Turn the blower over and remove (4) screws using either a #2 Phillips screwdriver or a 10 mm socket.
4. Remove the top housing and internal filter.
5. On all linear compressors, remove the drive cover by taking out (4) Phillips screws.
6. Carefully, inspect the shuttle assembly and electric coils. Any damage to these components will require replacing the linear blower.
7. Using a pair of pliers, slide the hose clamp down the discharge hose and remove the hose from the head assembly.
8. Remove the head assembly by taking out (4) Phillips screws and separating the head from the diaphragm casing by prying the two pieces apart at the notch in the head.
9. Remove the diaphragm lock nut and washer. Slide the diaphragm block off the shuttle stud.  
**NOTE:** On the Gast units only, the diaphragm ring will also be removed during this operation.
10. Install the new diaphragm and casing by sliding the diaphragm over the shuttle stud and centering the diaphragm casing in the housing. Install the washer. Place (1) small drop of Loctite thread lock on the end of the stud and install the nut. Tighten to 14 in. lbs.
11. Install a new head assembly by locating the head over the diaphragm casing and tightening the (4) Phillips screws.
12. Slide the discharge hose back on the head and replace the clamp.
13. Follow procedure #7 thru #12 for the opposite side.
14. Install the internal filter and replace the blower cover.
15. Install the (4) Phillips screws, replace the filter element and replace the filter cover.
16. Return the unit to service.

### ROTARY COMPRESSOR VANE REPLACEMENT

1. Unplug compressor, disconnect piping and move to a suitable work area.
2. Remove (5) 7/16" hex bolts and remove front cover and gasket (if present).
3. Remove vanes while paying particular attention to the proper orientation of vanes in the rotor.
4. Using low pressure compressed air, blow out any dust or carbon particles from rotor and cylinder. (Always use safety glasses when performing this procedure.)
5. Inspect the rotor, cylinder and front cover for any signs of metal contact or cracks.
6. Rotate the rotor by hand to be sure the motor and bearings are free.
7. Install a new set of (4) vanes into the rotor slots.  
**NOTE:** the chamfered edge of the vanes goes against the cylinder bore.
8. With the motor resting on its base, rotate the rotor by hand to insure the vanes move freely.
9. Install the front cover and torque the (5) hex bolts to 10ft.-lbs.
10. Replace the felt washers on the inlet filter.
11. Prior to installing compressor back on system, plug the unit in and let it run for a couple of minutes. Unit should have a constant hum and should not exhibit any excess vibration.
12. Unplug the unit and listen for the coast down of the compressor. The compressor should coast down to a dead stop. If the unit stops immediately, go back to step #2 and check for any metal-to-metal rubbing.
13. Install unit back on plant.

# HIBLOW HP80

## REPAIR PARTS

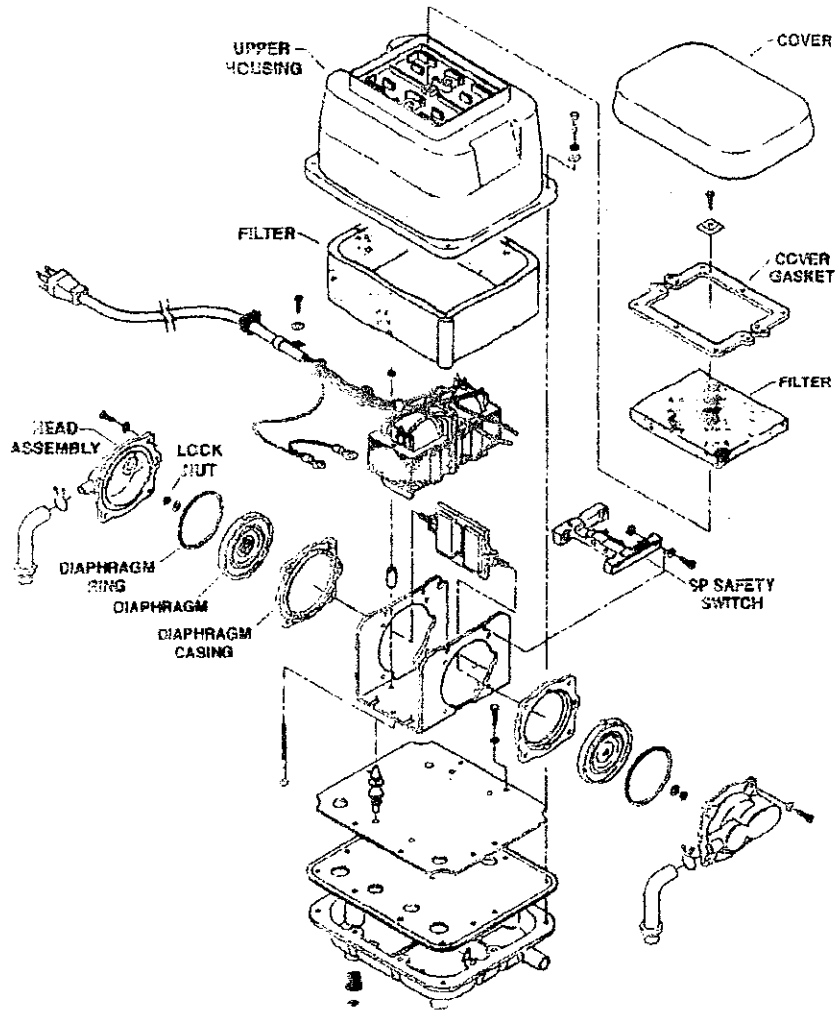
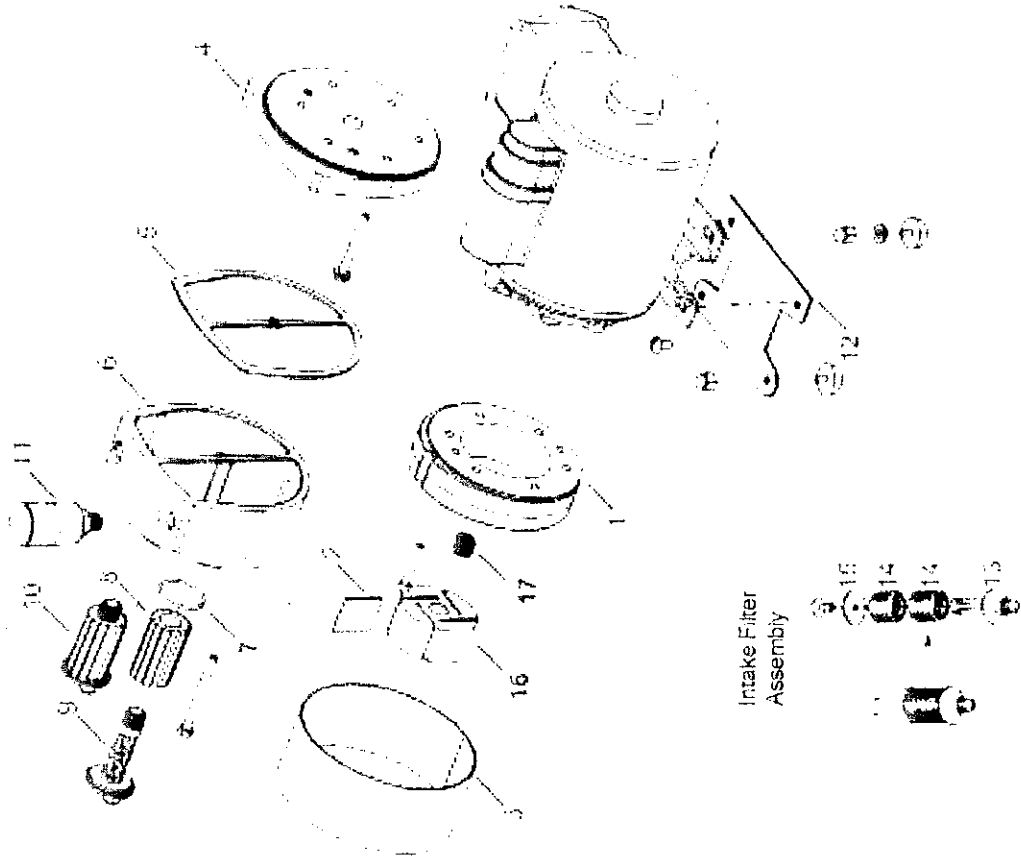


FIGURE 6

CAST A103 ROTARY VANE

EXPLODED PRODUCT VIEW, PARTS & ORDERING INFORMATION

1	BODY	1	AK504	AK500
2*	VANE	4	AH850A	AH850A
3	SHROUD	1	AK502B	AK502B
4	END PLATE	1	AK501	AK501
5*	GASKET	1	AK521	AK521
6	MUFFLER BOX	1	AK519	AK519
7*	O-RING	2	AK473	AK473
8*	FELT	2	AK524	AK524
9	END CAP	2	AK510	AK510
10	END CAP FILTER ASSEMBLY	2	AK526	AK526
11	FILTER / MUFFLER	1	B343B	B343B
12	FOOT SUPPORT KIT	1	AC136	AC136
13	FELT SUPPORT	1	B347	B347
14*	FELT FILTER	2	B344A	B344A
15	SCREEN CAP	1	AJ571	AJ571
16	ROTOR	1	AH775B	AH775B
17	TOLERANCE RING	1	AF105	AF105
	SERVICE KIT	1	K882	K882



Intake Filter Assembly

\* Denotes parts included in the Service Kit. Parts listed are for stock models.  
 \*\* No Service Kit available, order parts separately. For specific OEM models, please consult the factory. When corresponding or ordering parts, please give complete model and serial numbers

FIGURE 7

AERATOR SPECIFICATIONS  
for Aqua Safe "L." Series Treatment Systems

Aqua Safe® aerators for use with all models:

All aerators listed are 115 Volt, 60 Hertz and Single Phase

**Models AS500L, AS500L-EZ, AS500L-C**

GAST Model AT03 - Rotary – 3.0 amps / 120 watts / 4.0 CFM open flow

HiBlow Model HP80- Linear- 1.8 amps/105 watts / 4.2 CFM open flow

**Model AS600L, AS600L-EZ, AS600L-C**

HiBlow Model HP100- Linear- 1.55 amps / 90 watts / 5.2 CFM open flow

GAST Model AT05 - Rotary – 3.0 amps / 120 watts / 4.8 CFM open flow

**Model AS1100L, AS1100L-EZ, AS1100L-C**

GAST Model 0823 - Rotary - 8.6 amps / 560 watts / 8.0 CFM open flow

HiBlow Model HP200- Linear- 3.4 amps / 125 watts / 10.5 CFM open flow

#### VII-4. METHODS FOR EVALUATION OF EFFLUENT AND MIXED LIQUOR

Problem	Possible Cause	Corrective Action
Offensive odor from plant and effluent	Aerator or air piping defective, leaking or clogged	Check aerator, air piping and alarm system
Murky to gray mixed liquor with semi-clear effluent having a sour odor	Plant starving due to infrequent loading, hydraulic overloading, or oversized pretreatment tanks resulting in totally anaerobic, or low BOD influent	Confer with homeowner regarding loading. Remember, it may take 4 to 12 weeks for a new plant to start.
Black colored, mixed liquor and effluent having a totally septic odor void of dissolved oxygen, having an approximate pH between 6.5 and 8	Plant receiving little or no aeration due to defect in aerator or air piping	Check aerator, air piping and alarm system
Black colored, mixed liquor and black-tinted effluent having an offensive odor and acidic pH	Plant loaded or dosed with influent that prohibits growth of aerobic bacteria	Confer with homeowner regarding loading. Adjust pH to between 6.5 and 8.5; dose system with approved bacterial additives to help restart micro-bacterial growth or pump tank for fresh start
Brown mixed liquor with a viscous, brown foam having an obnoxious odor in the mixing zone with semi-clear effluent high in TSS	Developed population of filamentous micro-organisms in aeration zone due to low food to micro-organisms ratios, the presence of toxins or improper pH level.	Confer with homeowner regarding proper plant loading. Adjust pH to between 6.5 and 8.5. Dose plants mixing zone with approved bacterial additive
Chocolate-brown mixed liquor with clear effluent	Plant working properly with effluent pH between 6.5	None required
quality having only a slight earthy smell in mixing zone	and 8.5 and D.O. level between 1 and 5.5 mg/L	



## VIII. EFFLUENT SAMPLING REQUIREMENTS

When properly loaded, operated and maintained, the Aqua Safe<sup>®</sup> wastewater treatment plant should provide an effluent quality consistent with the E.P.A. secondary treatment guideline parameters. The expected final discharge from the plant should provide an effluent quality of:

less than	25 mg/l.	CBOD <sub>5</sub>
less than	30 mg/l/	TSS
pH of	6 to 9	

Test results conducted by Baylor University's Department of Environmental Studies in accordance with NSF/ANSI Standard 40 requirements showed the Aqua Safe<sup>®</sup> wastewater treatment plant to have a 30 day effluent average of:

2.37	mg/l.	CBOD <sub>5</sub>
2.11	mg/l.	TSS

**Ecological Tanks, Inc.** recommends that ALL final effluent samples be taken in the effluent discharge line or the effluent pump discharge line at a sampling port designed for that purpose. We recommend allowing the effluent to flow through the discharge pipe for a minimum of two (2) minutes before taking the sample.

### VIII-1. SAMPLING AND TESTING PROCEDURES FOR BOD<sub>5</sub> OR TSS

1. Effluent grab samples to be analyzed for BOD<sub>5</sub> or TSS should be done by a certified testing lab. The certified lab should provide you with information concerning proper sample collection to include volume, storage and labeling of sample. For a fee, most labs will provide the glass or plastic bottles to be used.
2. Always follow your testing lab's instructions concerning proper sample labeling, collection and storage.

For the referenced sample collection in this section, the testing lab's minimum instructions should be:

#### A. Label each sample to include:

1. Name and physical address of owner
2. Time and date of collection
3. Desired test
4. Name of person collecting sample

- #### B. Collect samples only in clean glass or polyethylene bottle or jar at a volume specified by the lab.

- C. Store samples in a cooler to near freezing temperature as soon as samples are collected.
  - D. Deliver samples for analysis within six (6) hours of collection.
3. Activate the application pump and collect the sample from the sample port in the pump tank or from fresh flow in the effluent discharge line after the disinfection device.

### VIII-2. TESTING FOR SOLIDS REMOVAL

1. As previously noted in other sections of this manual, a sample of mix liquor should be taken from the aerobic plant's aeration mixing compartment to determine the suspended solids content of the aeration compartment.
2. Using a clear glass or plastic graduated cylinder, let the sample settle for thirty (30) minutes. If the settled amount of suspended solids is greater than sixty percent (60%) after thirty (30) minutes, the aerobic tank should be pumped out.

### VIII-3. OTHER TESTING

1. To determine the composition of the aerobic plant's influent wastewater strength, collect a grab sample from the flow between the pre-treatment tank and aerobic treatment plant.
2. Samples should be taken from fresh flow directly out of the pre-tank's outlet baffle. Refer to information covered earlier in this section for proper handling of a sample from the job site to a certified testing lab.
3. Influent grab samples, at a minimum, should be analyzed for BOD<sub>5</sub>, TSS, COD and pH. A pH test can be done on the job site by following the simple instructions with your pH test kit. However, BOD<sub>5</sub>, TSS and COD tests should be conducted by a certified lab.
4. The need to determine the concentration of other influent contaminants may arise. Collect, handle and test the sample in the same manner as outline in this section.
5. Constituent concentrations in typical residential wastewater per Table 3-7 as listed in the USEPA Onsite Wastewater Treatment Systems manual are:

BOD <sub>5</sub>	155 to 286 mg/l.
TSS	155 to 330 mg/l.
COD	500 to 660 mg/l.
pH	6 to 9

## IX. ORDERING OF SYSTEMS, PARTS AND MANUALS

**Ecological Tanks, Inc. Aqua Safe**, maintains ample supplies of parts to meet the needs of new sales, replacement parts, warranty parts and manuals. Please feel free to call us or your local distributor so we can help meet these needs.

## Troubleshooting Guidelines for Control Panels

**Note:** Power must be on to test horn and alarm light.

### Alarm Horn

Pressing the alarm test switch, turning the compressor circuit breaker "OFF", or activating the alarm float should turn on the alarm horn. If the horn does not sound, replace with horn of same type.

### Alarm Light

Pressing the alarm test switch, activating the alarm float, or turning the compressor circuit breaker "OFF" should turn on the alarm light. If the light does not activate, replace bulb with the same type.

### Circuit Breakers

Check the circuit breaker for proper resistance reading using the following procedures:

1. With power "OFF", isolate the circuit breaker by disconnecting the load side wires.
2. Place the ohmmeter leads across the corresponding line and load terminals.
3. With the ohmmeter on the RX1 scale and the breaker in the "OFF" position, the reading should be infinity (very high resistance). With the breaker in the "ON" position, the reading should be nearly zero ohms (very low resistance). If the readings are not as stated, replace the circuit breaker with one of the same ratings.

**Note:** Readings may vary slightly depending on the accuracy of the measuring device.

### Air Switch

If lamp and horn are on and pump in pump tank is performing normal:

1. Disconnect air line at fitting at bottom of control panel and feel for air coming out of line.
2. If air supply is normal, then air switch is malfunctioning. Replace switch through manufacturer's stock.

### 24 Hour Clock Timer

Clock not running

1. Check for input power to the control panel.
2. Check all terminals for secure connections.
3. Check breaker to see that is in "ON" position.
4. If no circuit fault is evident, replace clock. Clock may be obtained through manufacturer's immediate stock.

### Pump Test Switch

Switch not working

1. Turn power to "OFF". Disconnect both leads to the switch.
2. Connect one test lead from an ohmmeter set on RX1 to one post on the pump test switch.
3. Connect the other lead from the same ohmmeter to the other post of the pump test switch.

4. Pull on the toggle of the pump test switch.

**Note:** The meter needle should deflect across the entire scale. If the needle does not deflect or reads open, replace the switch with one of the same type and rating.

### **Test/Mute Switch**

Switch not working

1. Turn Off power. Disconnect all leads from the "TEST/MUTE" switch.
2. Connect one lead from an ohmmeter set on RX1 to the center post on circuit 1.
3. Connect the other lead from the ohmmeter to the lower or second post in circuit 1.
  - A. With the toggle in the "OFF" or "MUTE" position there should be no deflection of the needle on the ohmmeter.
  - B. With the toggle in the center position, the needle on the ohmmeter should deflect across the entire scale.
  - C. By pulling the toggle into the "TEST" position, the needle on the ohmmeter should stay in the full deflection position.
4. Disconnect both leads from the switch.
5. Connect one lead from an ohmmeter set to RX1 to the center post of circuit 2 on the "TEST/MUTE" switch.
6. Connect the other lead from the same ohmmeter to the lower or second post of circuit 2.
  - D. With the toggle on the "OFF" or "MUTE" position there should be no deflection of the needle on the ohmmeter.
  - A. With the toggle in the center or normal position there should be no deflection of the needle on the ohmmeter.
  - B. By pulling the toggle into the "TEST" position, the needle on the ohmmeter should deflect across the entire scale.

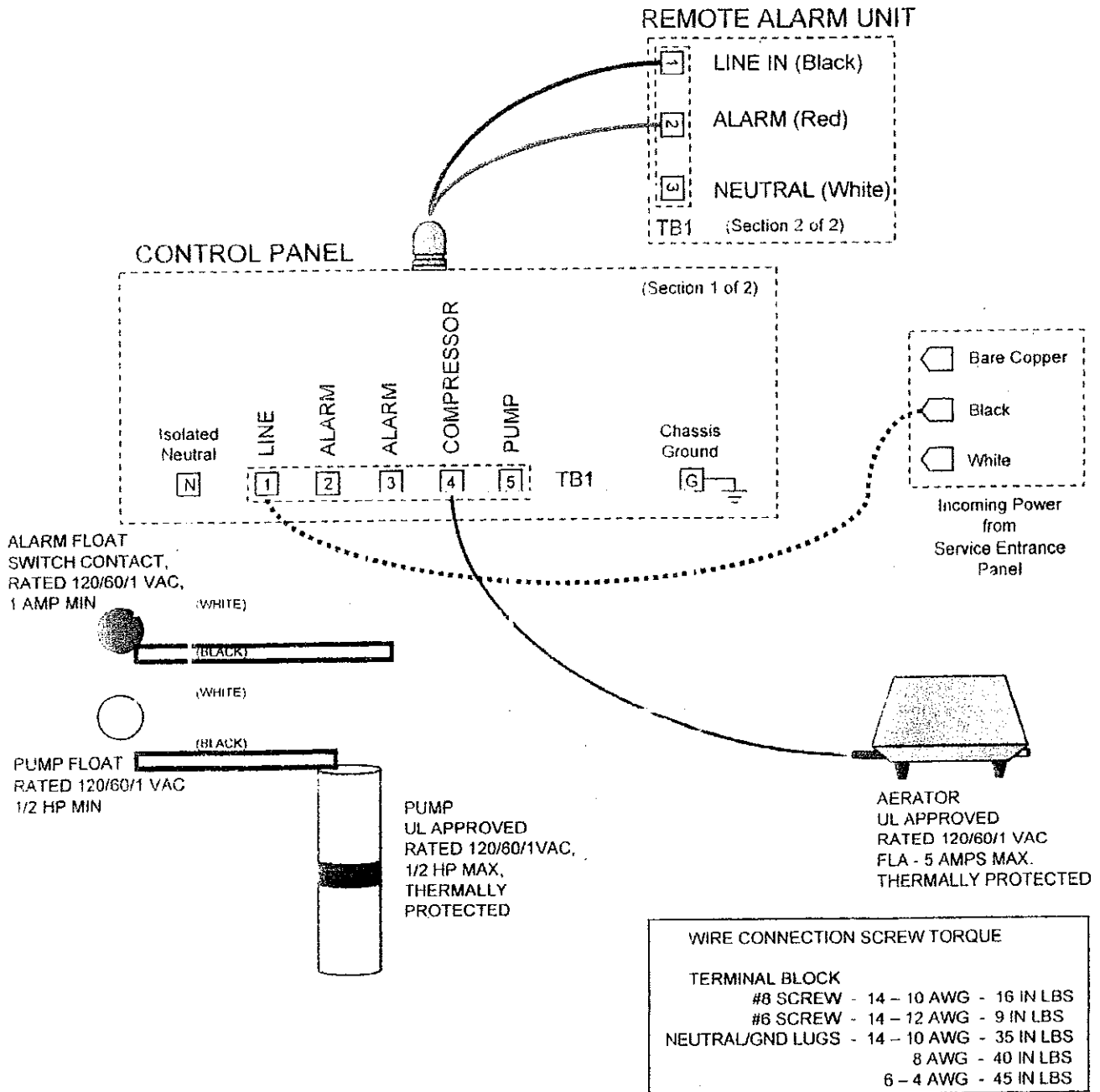
**Note:** If results other than those just described are attained, replace the "TEST/MUTE" switch.

### **Plant Controls**

Check the floats throughout their entire range of operation. Clean, adjust or replace damaged floats. The float resistance can be measured to determine if the float is operating correctly or is defective by using the following procedures:

1. Isolate the float by disconnecting one or both of the float leads from the float terminals.
2. Place one ohmmeter lead on one of the float wires and the other ohmmeter lead on the other float wire.
3. Set the ohmmeter dial to read ohms and place on the RX1 scale. With the float in the "OFF" position, the scale should read infinity (very high resistance). Replace the float if you do not get this reading. With the float in the "ON" position the scale should read nearly zero (very low resistance). Replace float if you do not get this reading.

**Note:** Readings may vary slightly depending on the length of wire and accuracy of the measuring device.



Notes for field installed components:

1. Main Disconnect, Branch Circuit Protection, wiring and external components to be provided by installer.
2. Field wiring - #14 - #10 AWG, 60°C min, use copper conductors only.
3. Field installed conduit fittings must be rated for use with Type 4X Enclosure.
4. Conduit openings must be sealed around wiring with an electrical grade (non-corrosive) sealant to prevent potentially harmful vapors from entering the control panel.

FIGURE 8

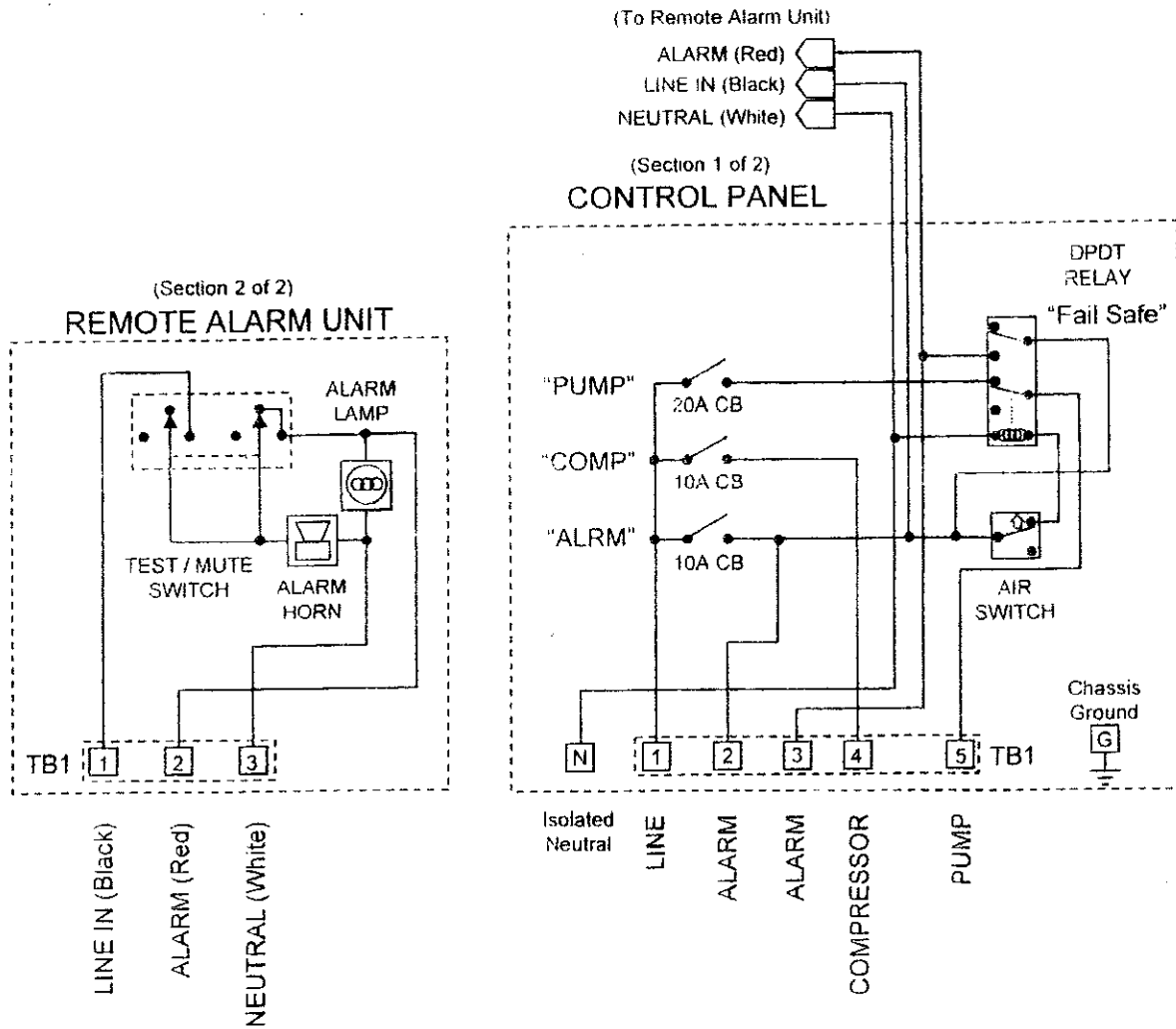
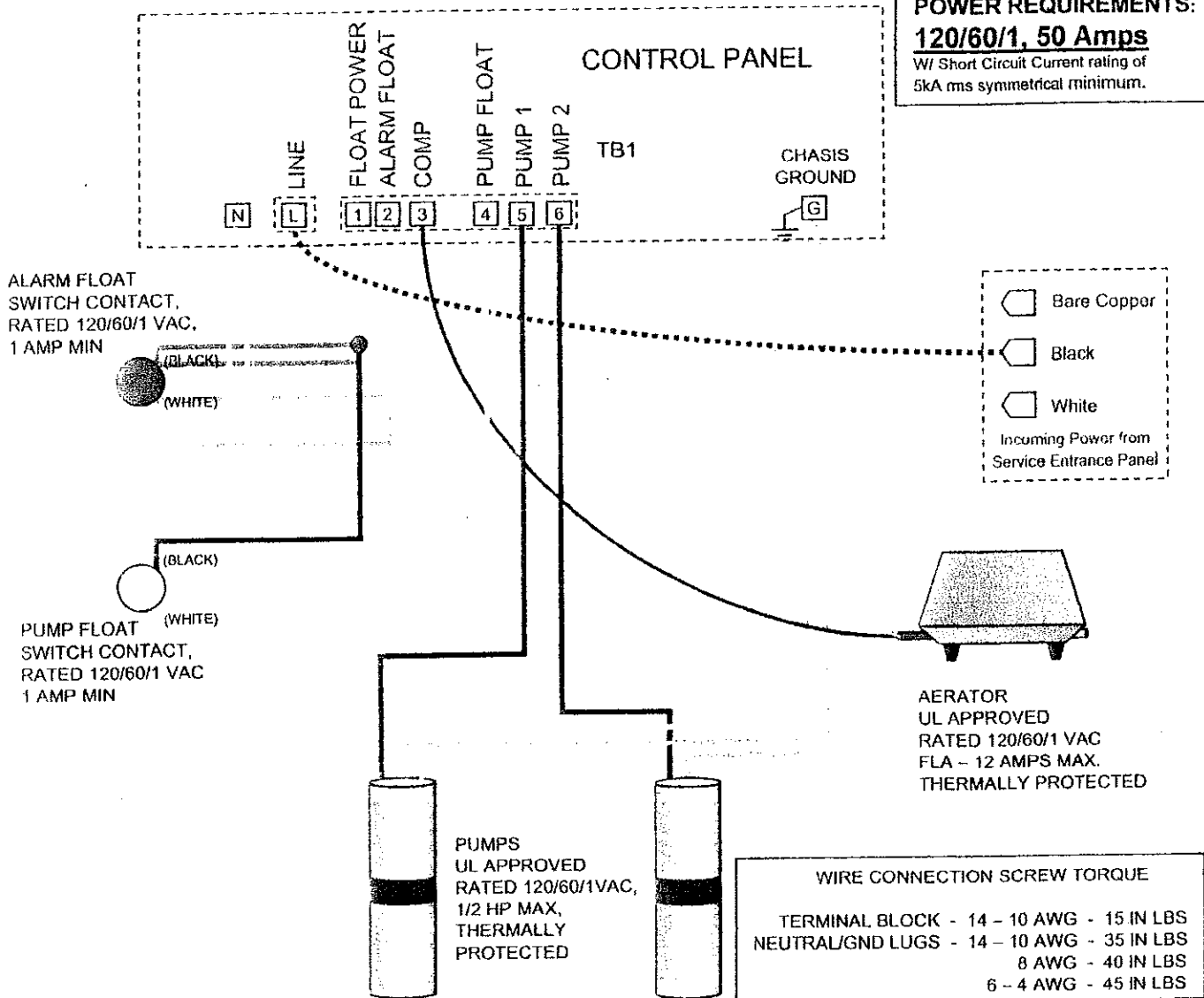


FIGURE 9

**MODEL DFS1D - 120 VAC DEMAND DOSE DUPLEX, HOURMETER & EVENT COUNTER ON EACH PUMP, FAILSAFE PUMP LOCKOUT ON COMPRESSOR FAIL, 20 AMP COMPRESSOR CIRCUIT, Field Wiring Diagram**

**CONTROL PANEL  
POWER REQUIREMENTS:**  
**120/60/1, 50 Amps**  
W/ Short Circuit Current rating of  
5kA rms symmetrical minimum.



**Notes for field installed components:**

1. Main Disconnect, Branch Circuit Protection, wiring and external components to be provided by installer.
2. Field wiring - #12 - #8 AWG, 60°C min, use copper conductors only.
3. Field installed conduit fittings must be rated for use with Type 4X Enclosure.  
If used, metal conduit fittings must provide means to bond conduit to ground terminal.
4. Torque Terminal Block, Neutral and Ground screws to 15 - 20 in-lbs.
5. Conduit openings must be sealed around wiring with an electrical grade (non-corrosive) sealant to prevent potentially harmful vapors from entering the control panel.

FIGURE 10

**MODEL DFS1D - 120 VAC DEMAND DOSE DUPLEX, HOURMETER & EVENT COUNTER ON EACH PUMP, FAILSAFE PUMP LOCKOUT ON COMPRESSOR FAIL, 20 AMP COMPRESSOR CIRCUIT, Schematic**

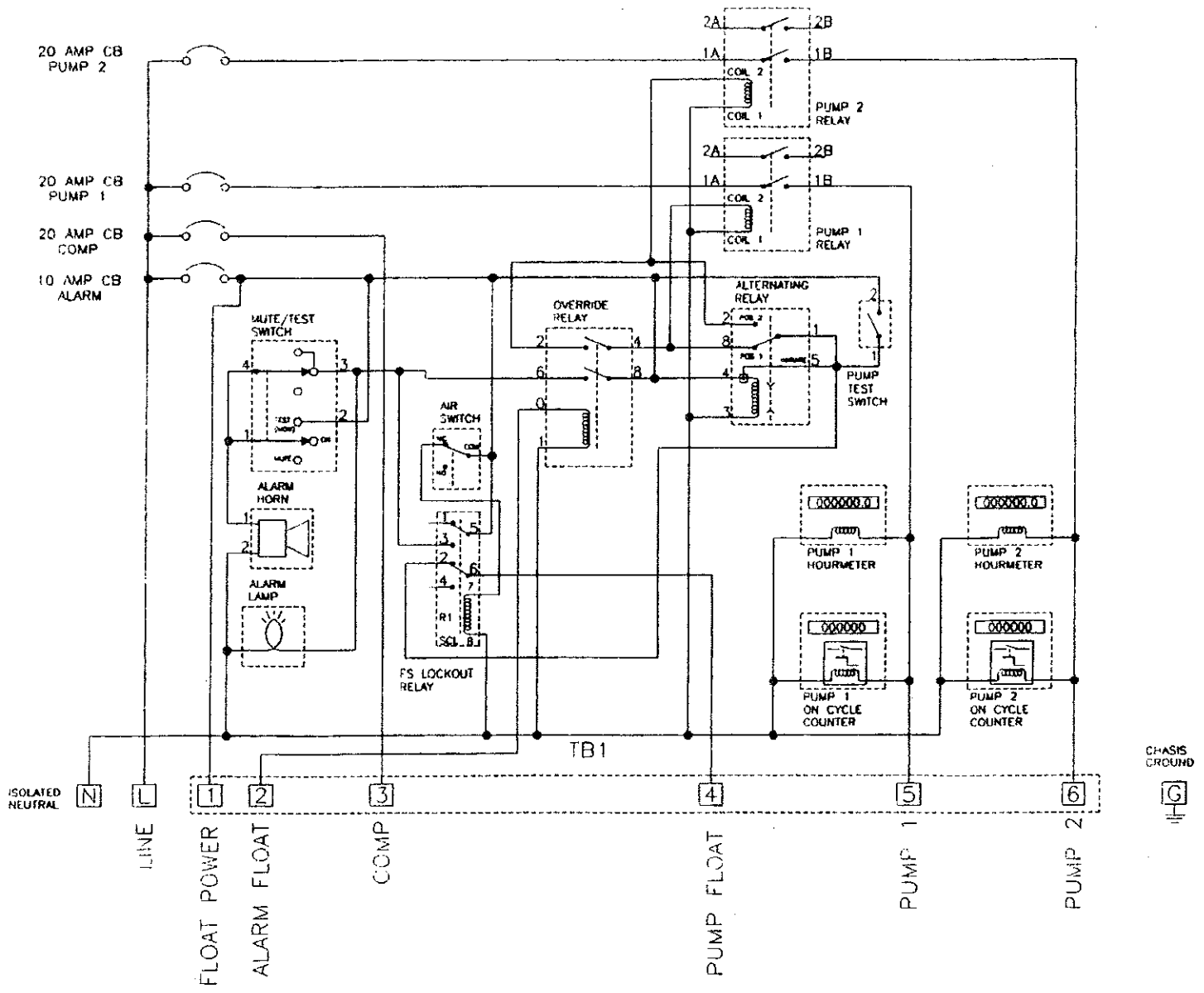


FIGURE 11



### LIMITED WARRANTY

**Ecological Tanks, Inc., Aqua Safe®** (hereinafter identified as manufacturer) warrants each **Aqua Safe®** wastewater treatment plant to be free from defects in workmanship and materials from the date of installation by an authorized dealer/installer for the following periods: Manufacturer warrants system aerator for a limited, prorated five (5) year period as follows: First two (2) years - 100%; 2<sup>nd</sup> to 3<sup>rd</sup> year - 75%; 3<sup>rd</sup> to 4<sup>th</sup> year 50%; and 4<sup>th</sup> to 5 year period 25% of manufacturers list price. Third, fourth and fifth year limited, prorated portion of this warranty applies only if system owner carries a continuous maintenance policy provided by an authorized dealer/installer and proof is provided with return. Manufacturer warrants fiberglass tanks, for a limited period of five (5) years to be free from defects in material and workmanship. Electrical controls, float switches and application pumps are warranted two (2) years. Concrete tanks are limited to two (2) years from date of installation. When properly installed and registered with the manufacturer, the manufacturer's sole obligation under this **limited warranty** is as follows:

To repair or exchange any components, F.O.B. factory, that in the manufacturer's judgment is defective, provided that said component part has been paid for and is returned through an authorized dealer, prepaid. The warrantee must specify the nature of the defect in writing to the manufacturer. The **limited warranty** makes no provision for any informal dispute settlement agreement.

The **limited warranty** does not cover any **Aqua Safe®** wastewater treatment plant that has not been properly installed, damaged due to altered or improper wiring or overload protection, flooded by any external means, disassembled by any unauthorized person, filled with anything other than normal household wastewater or damaged by an act of nature. The **limited warranty** does not cover damages or defects caused by ants, insects or rodents to any component part of the **Aqua Safe®** wastewater treatment plant.

No warranty is made as to the field performance of any system. The **limited warranty** applies only to the **Aqua Safe®** wastewater treatment plant itself and does not include any of the purchaser's plumbing, drainage and/or disposal system, house wiring or the installation of the **Aqua Safe®** treatment plant.

The manufacturer reserves the right to replace any component part covered under this **limited warranty** with a component part, which in manufacturer's judgment is equivalent to the part being replaced. The manufacturer claims no responsibility for any delays or damages caused by defective components or materials which cause losses incurred by interruption of service or for repairs or replacements of component parts covered by the **limited warranty**.

# Aqua Safe® Aerobic Treatment System Service/Inspection Form (Oregon)

Name of Owner: \_\_\_\_\_ Serial Number: \_\_\_\_\_  
 Name of Resident (if different than owner): \_\_\_\_\_  
 Address: \_\_\_\_\_  
 City: \_\_\_\_\_ County: \_\_\_\_\_ State: \_\_\_\_\_ Zip: \_\_\_\_\_  
 Phone: (Home) \_\_\_\_\_ (Business) \_\_\_\_\_  
 Residential  Commercial  Warranty  Service Contract  NPDES

**REASON FOR SERVICE CALL:**  Routine  Owner Request  Complaint  
 Alarm Activated  Sewer Back-up  
 Septic Odor  Poor Effluent Quality  
 High Water Alarm  Other: \_\_\_\_\_

Date Service Requested: \_\_\_\_\_

**INSPECTION RESULTS:**

**I. ALARM**

Alarm working properly  Faulty Alarm

**II. COMPRESSOR**

Compressor working properly	<input type="checkbox"/> Yes <input type="checkbox"/> No	Air filter dirty	<input type="checkbox"/> Yes <input type="checkbox"/> No
Air pressure between 1.8 - 2.5psi	<input type="checkbox"/> Yes <input type="checkbox"/> No	Air leakage at: _____	
Plugged air line	<input type="checkbox"/> Yes <input type="checkbox"/> No	Diaphragm ruptured	<input type="checkbox"/> Yes <input type="checkbox"/> NO
Compressor is overheating	<input type="checkbox"/> Yes <input type="checkbox"/> No	Compressor is noisy	<input type="checkbox"/> Yes <input type="checkbox"/> No

**III. AERATION CHAMBER**

Clear  Light Brown  Dark Brown  Turbid  Grey/septic  
 30 Minute Settleable Solids: \_\_\_\_\_ % Odor:  None  Slight  Septic

**IV. Clarifier**

Effluent Quality:  Clear  Turbid  Grey/Septic Noticeable solids:  Yes  No  
 Surface Scum Layer:  None  <1"  1-2"  >2"

**VI. UV Disinfection:**

Feed Tube Clean:  Yes  No Bulb OK:  Yes  No

**VII. Other Observations:** \_\_\_\_\_

**SERVICE OR REPAIR PERFORMED**

Date performed: \_\_\_\_\_

Pumped Aqua Safe plant;  Pumped pre-treatment;  Pumped dosing tank  
 Repaired/replaced alarm Warranty  Yes  No  
 Repaired/replaced compressor Warranty  Yes  No  
 Repaired/replaced dosing pump Warranty  Yes  No  
 Flushed Post-Air Basin;  
 Flushed UV Feed Tube;  Replaced UV Bulb  
 Service work to be performed at a later date: \_\_\_\_\_  
 Other comments: \_\_\_\_\_

\_\_\_\_\_  
 Signature of Authorized  
 AQUA-SAFE Service Representative

\_\_\_\_\_  
 Signature of Owner

\_\_\_\_\_  
 Date

# The "UV Disinfector<sup>®</sup>" By Ecological Tanks, Inc.

## Installation, Operation and Maintenance Instructions

### System Description:

The UV system disinfects the effluent by exposing it to a powerful ultraviolet light in a confined space. A flow restrictor ensures that the effluent is exposed to the UV light for a sufficient period of time to complete the disinfection process. A control panel is provided that supplies power to the UV system and has an audible/visible alarm that activates if the bulb fails or the UV current drops below a minimum level. The control panel is housed in a weatherproof enclosure and has separate circuit breakers for the UV system and the alarm system. A layout of the system is shown in Figure 1.

### Specifications:

**UV Bulb:** Length = 37-7/32"  
Lamp Watts = 37 watts  
UV Output = 12.8 watts  
Radiant intensity at 1 meter = 112 microwatts

**Control Panel:** Model TUD 1

**Caution:** During installation and servicing make sure that power is disconnected from the system any time the UV bulb is exposed. The majority of the energy emitted by the bulb is invisible and is powerful enough to burn eyes and skin in a very short exposure time. Ensure that during installation and service that no fingerprints or oily materials are left on the bulb. If necessary, the bulb can be cleaned with a soft cotton cloth soaked with alcohol.

### Installation:

Mount the UV unit as close to the pump tank as possible (or inside the pump tank). It is advisable to remove the UV lamp before installing this unit. The unit shall be installed in a vertical position. Make sure the inlet connection is level to the outlet side. The inlet 4" 90 is not cemented in place to allow for final alignment. After alignment has been completed cement 4" 90 in place.

The riser shall be at ground level when the unit is completely backfilled. Cut off the bottom end of the 6" riser making sure not to cut end with electrical penetration. After cutting end off, glue in place. Do not glue cap. The electrical connector (in the 6 x 4 reducer) should not be flooded.

### **Electrical:**

Mount the electrical panel provided by manufacturer as close to UV unit as possible. Pull the open end of the 40 feet direct burial wire through the hole in the side of the 6" riser (top of UV unit). Do not add more wire to this 40 feet. Bury the wire underground from the unit to the electrical control panel, cut to length. Connect the two wires to the terminal strip in the panel.

Connect the power side of the control panel to the 120 VAC source from the house or main system control panel. Do not turn on the power from the house or main control panel until the installation and wiring is complete. Make sure all connections are watertight including the electrical penetration through the 6" riser.

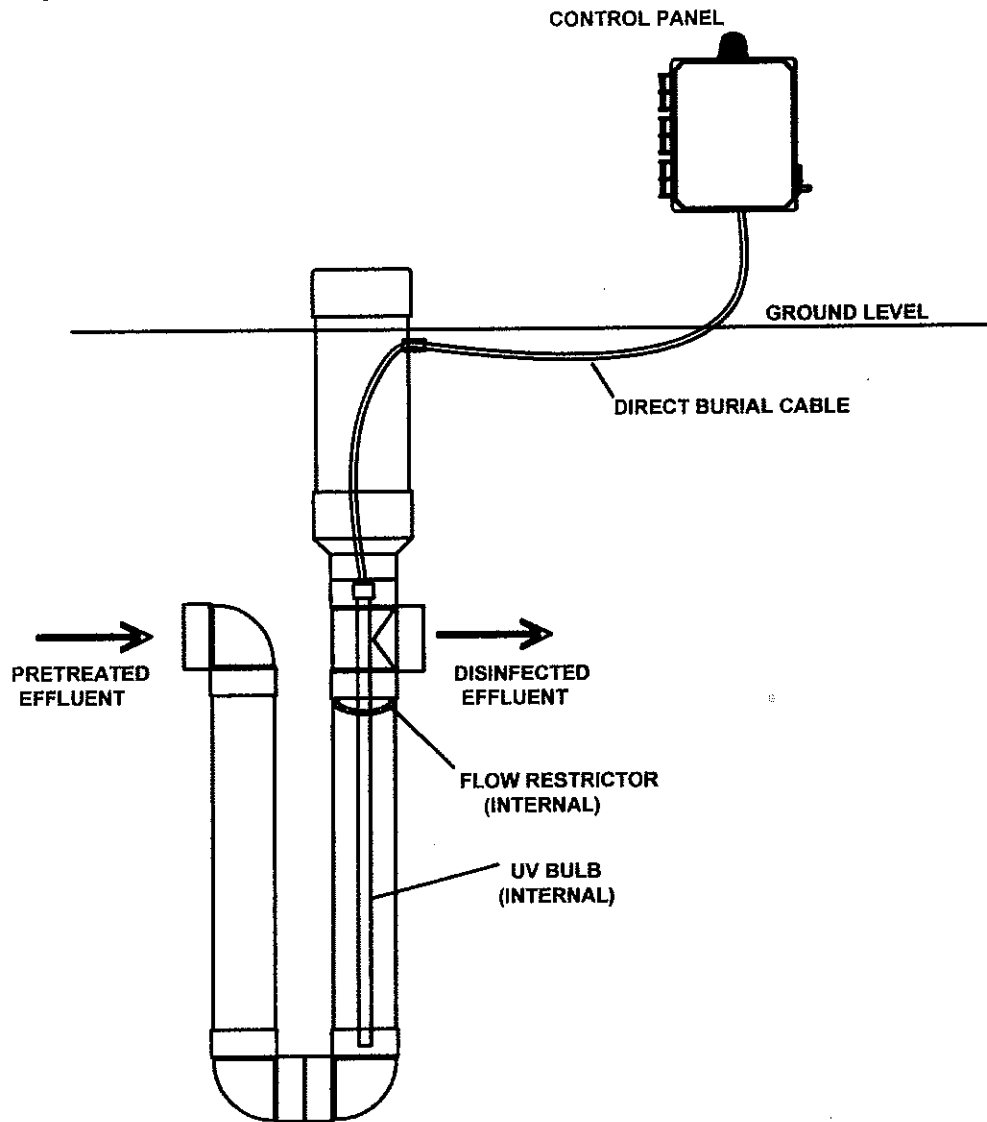
### **Operation:**

The system will operate continuously without intervention other than scheduled maintenance. If the alarm activates, the homeowner should contact their service provider.

### **Maintenance:**

When doing maintenance/inspection (every six months) remove cap, unplug and slowly lift lamp out of the unit by pulling straight up on electrical cord. Carefully wipe clean the quartz crystal, then gently slide the lamp back into the unit until the top seal on the lamp is next to the 7/8" hole. Plug lamp back together and replace cap. Every two (2) years replace the complete lamp. It comes with the quartz crystal and lamp in place. Just remove as above, and replace. When inspecting, check for settlement in bottom of unit and flush with water hose if necessary.

Figure 1. System Layout



**Copyright Notice**

All information contained on this page is proprietary to Ecological Tanks, Inc. and no part of this information may be reproduced, stored in a retrieval system or transmitted in any form or by any means, electronic, mechanical, photocopying, recording or otherwise without the prior written permission of Ecological Tanks, Inc..



## MANUFACTURER'S WARRANTY REGISTRATION CERTIFICATE

It is the **authorized dealer/installer's responsibility** to fill out the registration certificate and mail it **within 30 days** of installation to the address below. The owner/purchaser should verify that this is done to insure proper registration for warranty purposes.

**ECOLOGICAL TANKS, INC.**  
**2247 HIGHWAY 151 NORTH, DOWNSVILLE, LA 71234**  
**OFFICE: 318-644-0397 FAX: 318-644-7257**

PLEASE PRINT

### AQUA SAFE® PURCHASER'S RECORD

Serial# \_\_\_\_\_ Model# \_\_\_\_\_ Installation Date \_\_\_\_\_  
 Installer's Name \_\_\_\_\_  
 Mailing Address \_\_\_\_\_  
 \_\_\_\_\_ Phone \_\_\_\_\_

### AQUA SAFE® INSTALLER'S RECORD

Serial# \_\_\_\_\_ Model# \_\_\_\_\_ Installation Date \_\_\_\_\_  
 Owner's Name \_\_\_\_\_  
 Physical Address/City \_\_\_\_\_  
 \_\_\_\_\_ Phone \_\_\_\_\_

### AQUA SAFE® REGISTRATION CERTIFICATE (Must be returned to manufacturer)

Serial# \_\_\_\_\_ Model# \_\_\_\_\_ Installation Date \_\_\_\_\_  
 Owner's Name \_\_\_\_\_  
 Physical Address/City \_\_\_\_\_  
 \_\_\_\_\_ Phone \_\_\_\_\_  
 Dealer's Name \_\_\_\_\_  
 Mailing Address \_\_\_\_\_  
 \_\_\_\_\_ Phone \_\_\_\_\_  
 Installer's Name \_\_\_\_\_  
 Mailing Address \_\_\_\_\_  
 \_\_\_\_\_ Phone \_\_\_\_\_





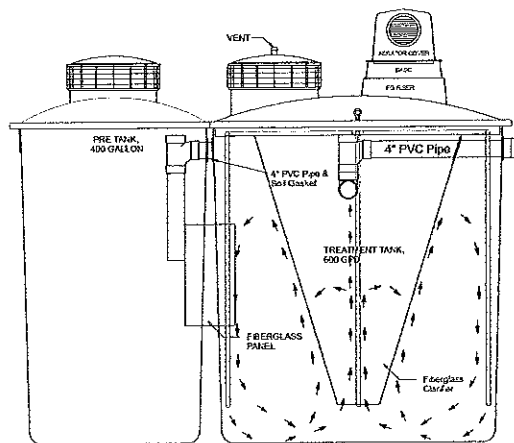
ECOLOGICAL TANKS, INC.

**AQUA  SAFE** ®

“The standard by which the performance of other units is compared”®

Class I Wastewater Treatment Plants

OWNER'S MANUAL



AS600 +4 NR

US Patents 5,549,818; 6,096,203; D423,638, D424,659  
Other Patents Pending

**“Copyright Notice”**

No part of this publication may be reproduced, stored in any retrieval system, or transmitted in any form or by any means, electronic, mechanical, photocopying, recording, or otherwise without the prior written permission of Ecological Tanks, Inc.



**Mfg. By**  
**Ecological Tanks, Inc.**  
2247 Hwy 151 North  
Downsville, LA 71234  
PH (318) 644-0397 \* FAX (318) 644-7257



C

C

C



## INTRODUCTION

The **Ecological Tanks, Inc., Aqua Safe®** model **AS600+4NR** has been tested and certified by NSF International according to requirements listed in NSF/ANSI Standard 40 and Standard 245, and meets or exceeds Class 1 effluent requirements.

Installation needs vary by state. Therefore, your wastewater treatment plant may contain additional components with the treatment plant which are not furnished by **Ecological Tanks, Inc.** Included in this owner's manual is the **Aqua Safe®** models **AS600+4NR** wastewater treatment plant.

State and/or local regulations govern the installation and use of individual aerobic wastewater treatment systems. All permits required by state and/or local regulations should be obtained prior to the **Aqua Safe®** plant installation.

It is the responsibility of the **end user** (owner) to see that the **Aqua Safe®** plant and associated auxiliary components are installed in accordance with all applicable laws, regulations and guidelines in effect in your respective state. Please consult your local sanitarian or environmentalist prior to system installation.

## AQUA SAFE WASTEWATER TREATMENT PLANT PROCESS DESCRIPTION

**Ecological Tanks, Inc., Aqua Safe®** model number **AS600+4NR** is a three compartment configuration which is made up of a 400 gallon pretreatment tank, an outer mixing compartment, and a center settling or clarifier compartment. They are in many ways similar to large township or municipality sewage treatment plants. It employs an extended aeration activated sludge process. This type of treatment depends primarily upon the use of air that is introduced by air passing from the aerator compressor to four air lines located around the perimeter of the aeration mixing compartment. As wastewater enters the aeration mixing compartment, simple hydraulic displacement is accomplished by the introduction of air which promotes the growth of aerobic organisms in much larger quantities than would occur naturally. These bacteria break down the organic solids in the wastewater. From the aeration mixing compartment, mixed liquid enters the cone shaped settling or clarifier compartment from the bottom. No mixing occurs in this quiet zone where solids separate from the liquid and settle to the bottom of the clarifier and re-enter the mixing compartment. The liquid that separates from the solids in the clarifier continue to flow upward to the discharge pipe.

The result of the **Aqua Safe®** process is a clear, odorless effluent discharge, which meets and exceeds state and national water quality standards.

Dear Sir,  
I have the pleasure to inform you that your application for the position of [Job Title] has been reviewed and we are pleased to offer you the position.

The position is located in [Location] and will report to [Supervisor Name]. The starting date is [Start Date]. The salary for this position is [Salary].

We are pleased to have you join our team and we look forward to your arrival. Please contact [Contact Name] at [Phone Number] if you have any questions.

Yours faithfully,  
[Signature]  
[Name]  
[Title]

cc: [Name]  
cc: [Name]

Enclosed for you are [Number] copies of the offer letter and [Number] copies of the contract of employment. Please sign and return the contract to [Address] by [Date].

If you have any queries, please contact [Name] on [Phone Number].

# AQUA SAFE RECOMMENDED PLANT INSTALLATION INSTRUCTIONS

1. Inspect entire treatment plant and component parts.
2. Select location of plant site which is accessible to the home sewer discharge line, at least ten (10) feet from the home foundation, in an area that will not receive vehicular traffic. Prepare an excavation site by digging a hole at least one (1) foot larger than the treatment plant and a depth that will allow for sufficient coverage leaving approximately three (3) inches of the inspection port to extend above normal ground level. The depth of the plant will be controlled by the depth of the building, sewer outlet line plus the amount of proper fall required from the building outlet sewer line to the inlet invert of the plant. The prepared excavation should have a solid, level bottom that will eliminate plant settling. Additionally, the bottom of the excavated hole should be free of rocks or sharp objects. **Aqua Safe®** plants should be installed on a bed of sand on undisturbed soil to provide a solid flat base.
3. Utilizing lifting lugs provided, carefully place the plant in the excavation. The inlet line should slope down toward the plant and the outlet line should slope down away from the plant. The plant should be level within one (1) inch, edge to edge. **Aqua Safe®** wastewater treatment plants should only be connected to properly trapped and vented plumbing systems in compliance with state and local plumbing codes.
4. Position the inlet and outlet lines and make the necessary connections. Clean-outs should be installed at the building sewer tie-in, any changes in direction of flow and at maximum intervals of seventy (70) feet when using four (4) inch piping. The inlet line should be inserted and glued into the inlet elbow and the discharge line should be inserted and glued into the outlet coupling. Open the inspection port on top of the plant and make sure the discharge tee assembly is level and centered in the clarifier prior to connecting discharge piping. Fill the tank with water to the point of flowing discharge before backfilling. Backfill evenly around the plant, up to the bottom of the inlet and outlet piping, taking care not to damage the tank or dislodge the piping. Backfill material must be void of rocks, gravel, heavy clay or any type of material which might damage the tank.
5. The aerator compressor must be installed in a well ventilated, relatively clean and dry location. Install the aerator compressor on the treatment plant's tank top or at a remote location no more than one hundred (100) feet from the treatment plant. The aerator compressor is supplied complete with all discharge fittings. Install 3/4" Sch. 40 PVC piping (supplied by others) between the aerator and treatment plant. A minimum of twelve (12) inches ground cover is recommended over the 3/4" Sch. 40 PVC air piping.
6. The electrical control for the aerator compressor, visual and audible alarms for aerator failure and high water conditions are contained in a weather proof enclosure. It may be installed in any above ground area where the alarms are easily noticed by the occupants. It is recommended that the control box be at least





six (6) inches above ground level and in view of the aerator compressor. All electrical wiring should be installed by a qualified person and must comply with the most current revision of NFPA 70, the National Electrical Code. All electrical components not supplied must comply with U.L. Standards.

7. Install electrical wiring (provided by others) to interconnect the aerator compressor and alarms to the electrical control panel. A minimum of twelve (12) inches of ground cover is recommended over underground electrical conduit and wiring.

8. The aerator compressors used on **Aqua Safe®** wastewater treatment plants run continuously. They provide relatively quiet, energy efficient operation. Once properly connected, the electrical control box is to be closed. Operate the aerator compressor by placing the on/off electrical circuit (provided by others) in the ON position.

9. Turn on aerator compressor and check all air piping and fittings for leaks. This can be accomplished by preparing a saturated solution of soap and water and applying to entire run of pipe and fittings. Repairs may be necessary if a leak is detected.

10. Carefully backfill all underground lines and the rest of the plant's excavation in a manner which will not cause damage to the completed installation.

11. The **Aqua Safe®** plant is ready to receive incoming sewage.

## **AQUA SAFE PLANT START UP**

Initially, the **Aqua Safe®** wastewater treatment plant is filled with clean water, usually from an owner's water supply. As stated in the installation instructions, once all proper connections have been completed and it is filled with water and the aerator is turned on, the system is now in operation.

For the treatment plant to be biologically stable, it will take from four (4) to twelve (12) weeks after first using the plant to develop a population growth of microorganisms (bacteria). It is these bacteria which make the treatment system operate.

## **OWNER MAINTENANCE CARE AND OPERATION INSTRUCTIONS**

**Aqua Safe®** home wastewater treatment plants have been designed and built by **Ecological Tanks, Inc.**, to provide long term, reliable and cost efficient service. Our treatment plants will operate with a minimum amount of attention. If service is required, reference the system's DATA PLATES located on the **Aqua**



**Safe®** control panel or aerator compressor for the plant's model number, the name, address and phone number of the local service person that can provide service. The following procedures should be performed on a routine basis to insure proper plant operation:

**DAILY:** Check the warning light and audible alarm located on the plant's control panel for an air supply malfunction or a system high water indication. If an alarm condition is observed, it is an indication of malfunction. First check the electrical circuit providing power to the system to insure the circuit is closed. Check the aerator compressor to be sure it is operating. Check for over heating, excessive vibrations and unusual noises. If an aerator compressor failure is observed, call your service provider for service. After a power outage, an alarm condition may exist. Should an alarm remain on for more than thirty (30) minutes after power is restored, you should call your local service provider to report the alarm.

**WEEKLY:** Check the treatment plant for offensive odor. If present, call for service.

**PERIODICALLY:** Check and clean the air filter on the aerator compressor. Rinse with warm water to clean if necessary. Make sure filter is dry and re-install on aerator compressor.

**RECOMMENDED:** The frequency of solids removal is no more often than every two (2) to five (5) years. Determination of the need for pumping can be made only by a trained service person by testing the tank contents and/or effluent.

**WARNING** - Hydraulic displacement and tank flotation may occur whenever tanks are pumped. Additionally, care should be taken not to damage internal component parts. A certified **Aqua Safe®** service technician should oversee tank pumping.

## OWNER'S RESPONSIBILITY

It is the *owner's responsibility* to operate the **Aqua Safe®** wastewater treatment plant to the best of their ability. To keep maintenance to a minimum and insure high effluent quality, the following items should not be permitted to enter the treatment plant:

1. Strong disinfectants or bleaches, other than small amounts used in day to day house cleaning and laundries. Recommended detergents are low-sudsing, low phosphates and biodegradable. Recommended cleaning products are non-chlorine, non-toxin, non-corrosive and biodegradable. Anti-bacteria soaps should be avoided.
2. Backwash discharge from any type of water softeners.



3. Citrus products, coffee grounds, chemical wastes, paint or paint thinners, oils or grease (such as used cooking grease), pet shampoo, pet dip disinfectant, pesticides, herbicides, automotive fluids or any other toxins.

4. Disposable diapers, tampons, sanitary napkins, large quantities of paper products, tobacco products, or similar items. Home brewery waste, strong medicines and antibiotics.

5. Waste material from a garbage disposal is not recommended without the use of a trash trap or pretreatment tank preceding the **Aqua Safe®** plant. Food waste represents additional loading the aerobic treatment unit would have to digest, increasing pump out intervals.

6. The **Aqua Safe®** wastewater treatment plant is designed for the treatment of **domestic wastewater** and nothing else should go into it.

During extended periods of intermittent or non-use, such as vacation time, the aerobic bacteria inside the plant will decrease due to no food in the form of incoming wastewater. The treatment plant will become biologically stable again soon after the resumption of normal loading. The aerator compressor should be left on during periods of vacation time. During extended periods of absolute non-use (3 months or longer) the aerator compressor should be removed, cleaned and stored with the compressor's inlet and outlet sealed. Additionally, the air line piping should also be capped to prevent debris from entering air distribution system.

The **Aqua Safe®** plant will not perform to its fullest capabilities if subject to hydraulic overloading. This condition exists whenever excessive water, above the plants designed treatment capacity, is allowed into the plant. Leaking plumbing fixtures or excessive water use may cause this condition. Hydraulic overload may also occur on wash days, when multiple loads of laundry are washed in succession.

**Ecological Tanks, Inc.** is not responsible for the infield operation of our plants. The proper operation of this wastewater treatment plant depends upon proper organic and hydraulic loading of the plant. We cannot control the loading of substances in our plants that may upset its biological balance. We can only provide a complete owner's manual which outlines materials that should be kept out of the treatment plant. User operation instructions must be followed or warranties are subject to invalidation.

**WARNING!** Ants and rodents are destructive to the mechanical and electrical equipment on wastewater treatment plants. Care should be taken to prevent infestation of ants near the plant. Damage or destruction of mechanical or electrical equipment by ants or rodents is not covered under manufacturers' warranty.



Any and all safety requirements such as the electrical wiring, blower operation or plant discharge concerning the owner, their families, friends, or guests is the sole liability of the owner (see warranty and service policy).

The electrical control panel contains a schematic for the system. However, the electrical control panel is sealed and contains no user serviceable parts. Test and alarm silence switches are located on the outside of control panel.

**WARNING!** Service to the electrical control panel by a non-qualified person may result in an electrical shock hazard resulting in serious injury or death. If service is required contact your local authorized installer representative or maintenance provider.

Many states already require the use of a disinfection unit following all advanced treatment plants for total effluent disinfection prior to final discharge. **Ecological Tanks, Inc.** recommends the use of a disinfection device behind its advanced treatment plants for total effluent disinfection prior to final discharge.





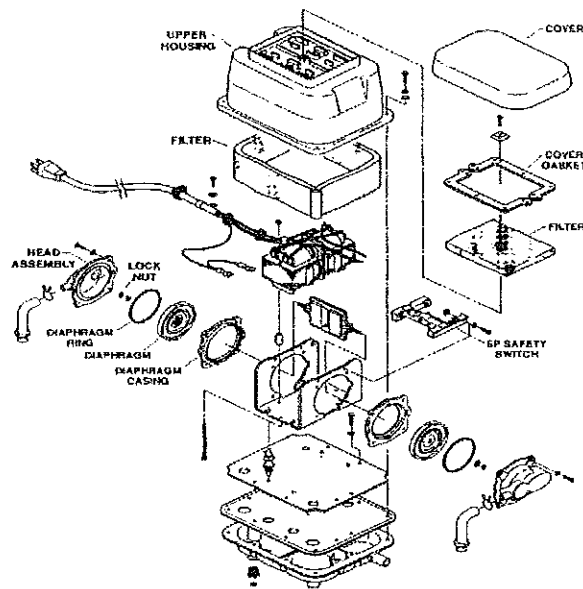
## SOURCES FOR OBTAINING REPLACEMENT PARTS OR COMPONENTS

Replacement parts or components may be obtained from your local installer or from **Ecological Tanks, Inc.**, 2247 Highway 151 North, Downsville, LA 71234.

Office: 318-644-0397 \*Fax: 318-644-7257 \*E-mail: [aquasafe@bayou.com](mailto:aquasafe@bayou.com)

### LINEAR AERATOR COMPRESSOR PARTS LIST HiBlow/HP

#### HIBLOW HP80 and HP80 ALARM UNIT REPAIR PARTS



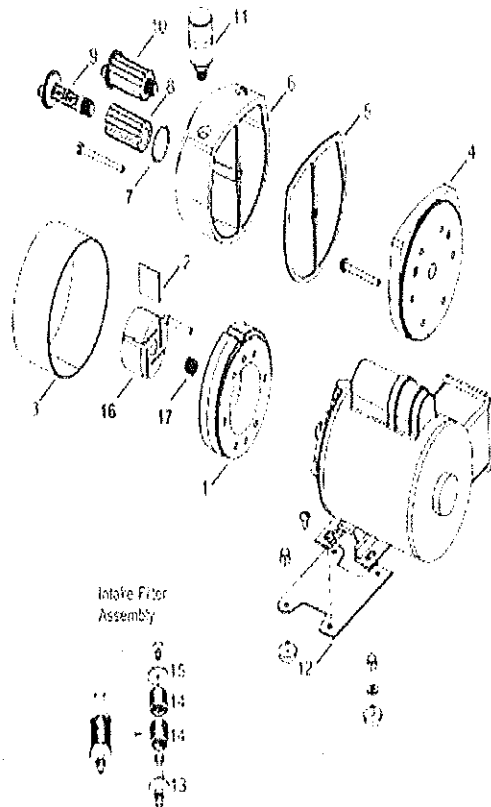
Replace alarm module is available for all HP80 models with alarm



# Rotary Aerator Compressor Parts List Gast AT Series

## EXPLODED PRODUCT VIEW, PARTS & ORDERING INFORMATION

REF	DESCRIPTION	QTY	RV31-151	RV15-101
1	BODY	1	AK504	AK520
2*	VAKE	4	AP952A	AH550A
3	SHROUD	1	AK522B	AK522B
4	END PLATE	1	AK521	AK521
5*	GASKET	1	AK523	AK523
6	MUFFLE HOOD	1	AK519	AK519
7*	O-RING	2	AK473	AK473
8*	FELT	2	AK524	AK524
9	END CAP	2	AK510	AK510
10	END CAP FILTER	2	AK526	AK526
ASSEMBLY				
11	FILTER / MUFFLER	1	B343B	B343B
12	FOOT SUPPORT KIT	1	AC436	AC436
13	FELT SUPPORT	1	B347	B347
14*	FELT FILTER	2	B344A	B344A
15	SCREEN CAP	1	AJ571	AJ571
16	ROTOR	1	AH755B	AH755B
17	TOLERANCE RING	1	AF105	AF105
	SERVICE KIT	1	K812	K812



\* Denotes parts included in the Service Kit. Parts listed are for stock models.  
 \*\* No Service Kit available, order parts separately. For specific OEM models, please consult the factory. When corresponding or ordering parts, please give complete model and serial numbers.



## INITIAL SERVICE POLICY

The local dealer/installer from whom you purchased your **Aqua Safe®** wastewater treatment plant is responsible for routine inspections for the first two years from the original date of installation. The plant will be checked for proper operation at each inspection. If a problem exists, service will be performed at no charge to the owner unless the required maintenance is not warranty related. These service calls/inspections shall include at least four inspections over the two year period and shall include the following:

1. Adjustment of the electrical control, if applicable, and servicing of the mechanical component parts to ensure proper function.
2. An effluent quality inspection consisting of a visual check for color, turbidity, scum overflow, and an examination for odors.
3. Immediate notification to the owner/warrantee in writing of any improper observation which cannot readily be repaired. This notification will or shall advise said owner of the problem, if it is covered by warranty, and estimated date for correction of said problem.

Pumping of sludge build up from the treatment plant, if necessary, **IS NOT INCLUDED** in the initial service policy.

An annually renewable service policy affording the same coverage as the initial service policy is available. Consult your local dealer for pricing information.



## LIMITED WARRANTY

**Ecological Tanks, Inc., Aqua Safe®** (hereinafter identified as manufacturer) warrants each **Aqua Safe®** wastewater treatment plant to be free from defects in materials and workmanship from the date of installation by an authorized dealer/installer for the following periods: Manufacturer warrants system aerator for a limited, prorated five (5) year period as follows: First two (2) years - 100%; 2<sup>nd</sup> to 3<sup>rd</sup> year - 75%; 3<sup>rd</sup> to 4<sup>th</sup> year - 50%; 4<sup>th</sup> to 5<sup>th</sup> year - 25% of manufacturer's list price. Third, fourth, and fifth year limited, prorated portion of this warranty applies only if the system owner carries a continuous maintenance policy provided by a manufacturer authorized dealer/installer and **proof** is provided with the return. Manufacturer warrants fiberglass tanks, for a limited period of (5) years, to be free from defects in material and workmanship. Electrical controls, float switches, and application pumps are warranted for two (2) years. Concrete tanks are limited to (2) years from date of installation. When properly installed and registered with the manufacturer, the manufacturer's sole obligation under this **limited warranty** is as follows:

To repair or exchange any components, F.O.B. factory, that in the manufacturer's judgment is defective, provided that said component part has been paid for and is returned through an authorized dealer, prepaid. The warrantee must specify the nature of the defect in writing to the manufacturer. The **limited warranty** makes no provision for any informal dispute settlement agreement.

The **limited warranty** does not cover any **Aqua Safe®** wastewater treatment plant that has not been properly installed, damaged due to altered or improper wiring or overload protection, flooded by any external means, disassembled by any unauthorized person, filled with anything other than normal household wastewater or damaged by an act of nature. The **limited warranty** does not cover damages or defects caused by ants, insects or rodents to any component part of the **Aqua Safe®** wastewater treatment plant.

No warranty is made as to the field performance of any system. The limited warranty applies only to the **Aqua Safe®** wastewater treatment plant itself and does not include any of the purchaser's plumbing, drainage and/or disposal system, house wiring or the installation of the **Aqua Safe®** treatment plant.

The manufacturer reserves the right to replace any component part covered under this **limited warranty** with a component part, which in the manufacturer's judgment, is equivalent to the part being replaced. The manufacturer claims no responsibility for any delays or damages caused by defective components or materials which cause losses incurred by interruption of service or for repairs or replacement components parts covered by the **limited warranty**.

# Mathematical Analysis

The first part of the course deals with the theory of functions of a real variable. It begins with the definition of a function and its properties, such as continuity and differentiability. The concept of a limit is introduced, and the epsilon-delta definition is used to prove theorems about limits. The derivative is defined as the limit of the difference quotient, and the rules of differentiation are derived. The integral is defined as the limit of a Riemann sum, and the Fundamental Theorem of Calculus is proved. The course also covers the theory of series, including the convergence of sequences and series of numbers and functions.

The second part of the course deals with the theory of functions of a complex variable. It begins with the definition of a complex function and its properties, such as analyticity and conformal mapping. The Cauchy-Riemann equations are derived, and the Cauchy integral formula is proved. The theory of residues is introduced, and the residue theorem is used to evaluate real integrals. The course also covers the theory of conformal mappings and the Schwarz lemma.

The third part of the course deals with the theory of differential equations. It begins with the theory of ordinary differential equations, including the existence and uniqueness theorems and the method of variation of parameters. The theory of partial differential equations is also covered, including the method of separation of variables and the theory of harmonic functions. The course also covers the theory of integral equations and the theory of matrix differential equations.

The fourth part of the course deals with the theory of optimization. It begins with the theory of linear programming, including the simplex method and the duality theorem. The theory of nonlinear programming is also covered, including the Karush-Kuhn-Tucker conditions and the method of Lagrange multipliers. The course also covers the theory of dynamic programming and the theory of game theory.

The fifth part of the course deals with the theory of probability and statistics. It begins with the theory of probability, including the axioms of probability and the theory of random variables. The theory of statistics is also covered, including the theory of estimation and hypothesis testing. The course also covers the theory of stochastic processes and the theory of queueing systems.



# MANUFACTURER'S WARRANTY REGISTRATION CERTIFICATE

It is the **authorized dealer/installer's responsibility** to fill out the registration certificate and mail it **within 30 days** of installation to the address below. The owner/purchaser should verify that this is done to insure proper registration for warranty purposes.

**ECOLOGICAL TANKS, INC.**  
**2247 HIGHWAY 151 NORTH, DOWNSVILLE, LA 71234**  
**OFFICE: 318-644-0397 FAX: 318-644-7257**  
**E-mail: aquasafe@bayou.com**

## PLEASE PRINT AQUA SAFE PURCHASER'S RECORD

Serial# \_\_\_\_\_ Model# \_\_\_\_\_  
Installer's Name \_\_\_\_\_ Installation Date \_\_\_\_\_  
Mailing Address \_\_\_\_\_ Phone \_\_\_\_\_  
City, State, & Zip \_\_\_\_\_

---

## AQUA SAFE INSTALLER'S RECORD

Serial# \_\_\_\_\_ Model# \_\_\_\_\_  
Owner's Name \_\_\_\_\_ Installation Date \_\_\_\_\_  
Physical Address \_\_\_\_\_ Phone \_\_\_\_\_  
City, State, & Zip \_\_\_\_\_

---

## AQUA SAFE REGISTRATION CERTIFICATE (Must be returned to manufacturer)

Serial# \_\_\_\_\_ Model# \_\_\_\_\_  
Owner's Name \_\_\_\_\_ Installation Date \_\_\_\_\_  
Physical Address \_\_\_\_\_ Phone \_\_\_\_\_  
City, State, & Zip \_\_\_\_\_  
Dealer's Name \_\_\_\_\_ Phone \_\_\_\_\_  
Mailing Address \_\_\_\_\_  
City, State, & Zip \_\_\_\_\_  
Installer's Name \_\_\_\_\_ Phone \_\_\_\_\_  
Mailing Address \_\_\_\_\_  
City, State, & Zip \_\_\_\_\_