

## Fail Safe Pump Arrangement

THE INFORMATION CONTAINED IN THIS DRAWING IS THE SOLE PROPERTY OF BIO-MICROBICS INC. ANY REPRODUCTION IN PART OR AS A WHOLE WITHOUT THE WRITTEN PERMISSION OF BIO-MICROBICS INC. IS PROHIBITED. DESIGN AND INVENTION RIGHTS ARE RESERVED. IN THE INTEREST OF TECHNOLOGICAL ADVANCEMENT, ALL PRODUCTS ARE SUBJECT TO DESIGN AND OR MATERIAL CHANGE WITHOUT NOTICE.

BIO-MICROBICS © 2014

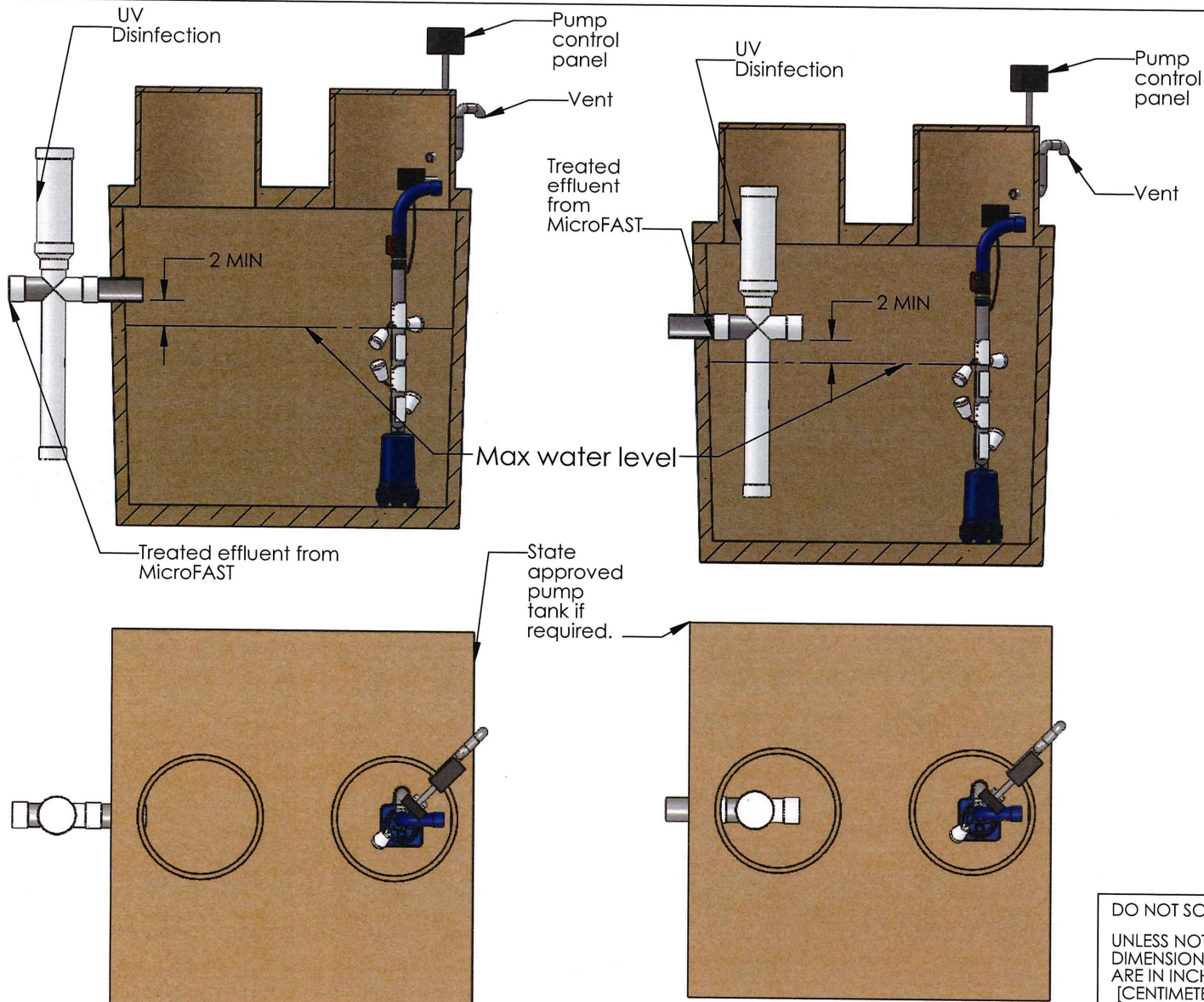
DO NOT SCALE  
UNLESS NOTED  
DIMENSIONS  
ARE IN INCHES  
[CENTIMETERS]  
TOLERANCES  
± 0.02 IN/IN  
[± 0.05 CM/CM]



Oregon Treatment Std 2

WEIGHT	lb	SIZE	DRAWING NUMBER
		A	Fiberglass/Plastic Tank
DRAWN	CTC	DATE	2/19/2010
CHECKED	PF	DATE	4/8/2014
REVISED 4/8/2014			REV. INI-01-U

SHEET 1 OF 2



## Fail Safe Pump Arrangement

THE INFORMATION CONTAINED IN THIS DRAWING IS THE SOLE PROPERTY OF BIO-MICROBICS INC. ANY REPRODUCTION IN PART OR AS A WHOLE WITHOUT THE WRITTEN PERMISSION OF BIO-MICROBICS INC. IS PROHIBITED. DESIGN AND INVENTION RIGHTS ARE RESERVED. IN THE INTEREST OF TECHNOLOGICAL ADVANCEMENT, ALL PRODUCTS ARE SUBJECT TO DESIGN AND OR MATERIAL CHANGE WITHOUT NOTICE.

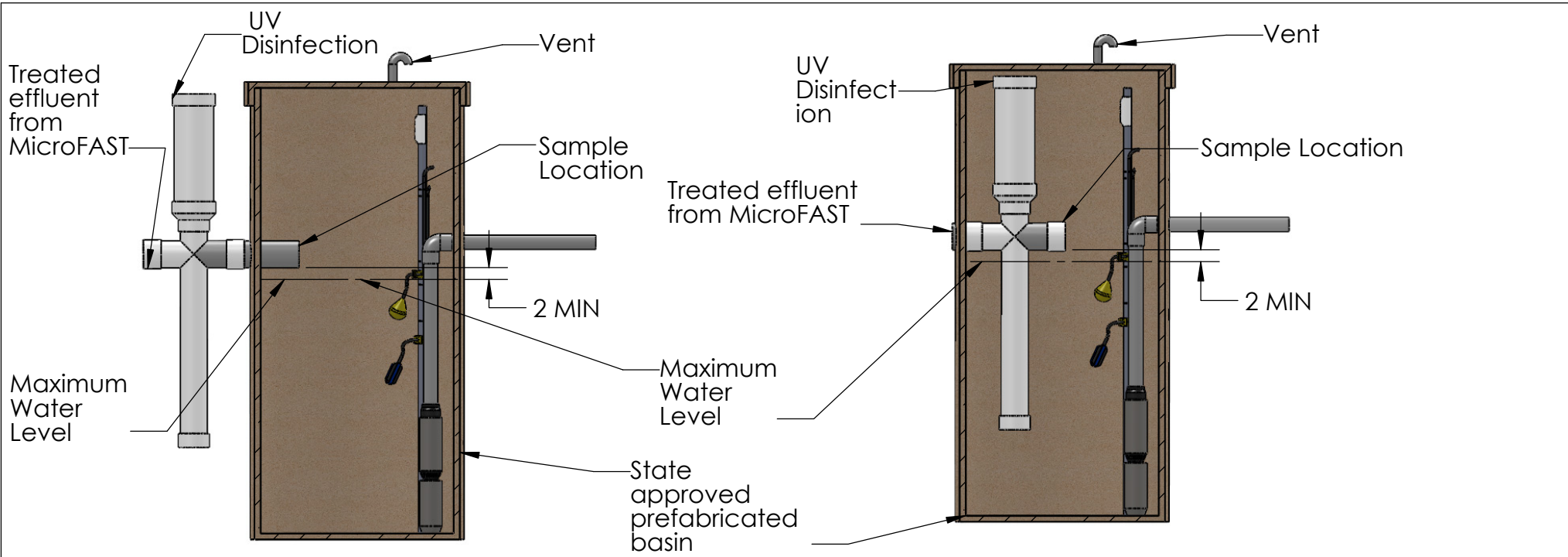
BIO-MICROBICS © 2014

DO NOT SCALE	
UNLESS NOTED DIMENSIONS ARE IN INCHES [CENTIMETERS]	
TOLERANCES ± 0.02 IN/IN [± 0.05 CM/CM]	
WEIGHT	lb
NAME	DATE
DRAWN CTC	2/19/2010
CHECKED PF	4/8/2014

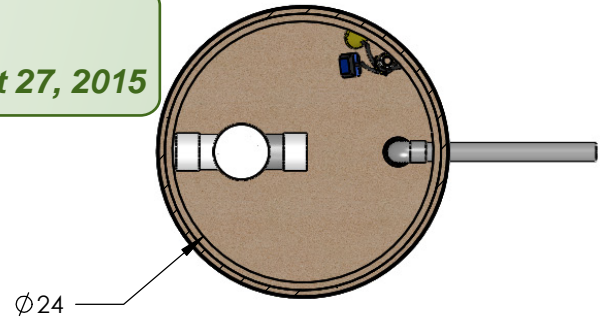
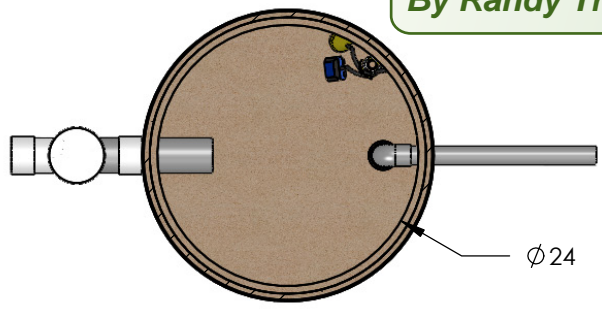


Oregon Treatment Std 2

SIZE	DRAWING NUMBER	
A	Tank Installation	
REVISED 4/8/2014	REV. INI-01-U	SHEET 2 OF 2



**APPROVED**  
 By Randy Trox at 2:38 pm, Oct 27, 2015



### Fail Safe Pump Arrangement

DO NOT SCALE  
 UNLESS NOTED  
 DIMENSIONS  
 ARE IN INCHES  
 [CENTIMETERS]  
 TOLERANCES  
 ± 0.02 IN/IN  
 [± 0.05 CM/CM]



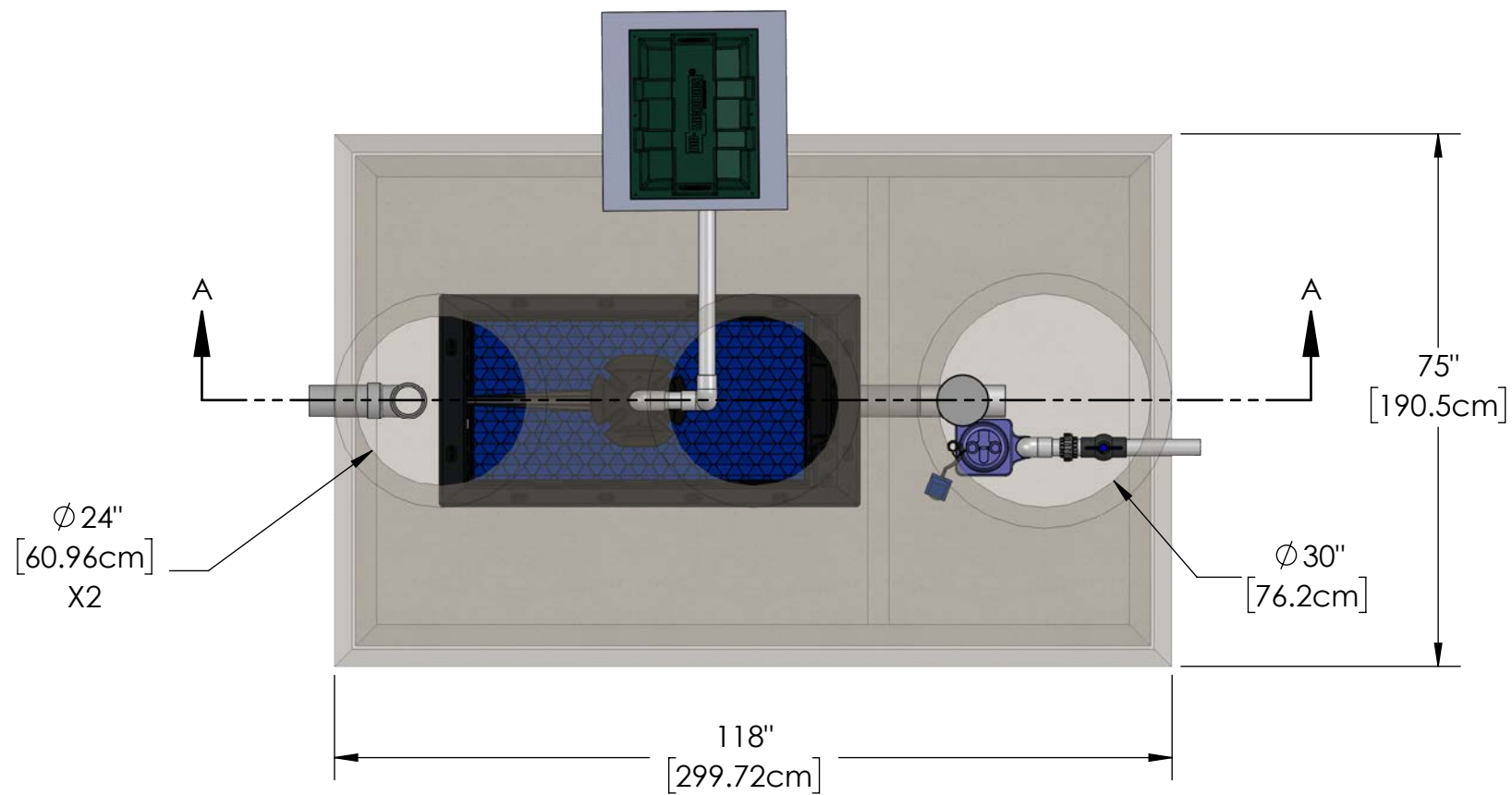
Oregon Treatment Std 2

THE INFORMATION CONTAINED IN THIS DRAWING IS THE SOLE PROPERTY OF BIO-MICROBICS INC. ANY REPRODUCTION IN PART OR AS A WHOLE WITHOUT THE WRITTEN PERMISSION OF BIO-MICROBICS INC. IS PROHIBITED. DESIGN AND INVENTION RIGHTS ARE RESERVED. IN THE INTEREST OF TECHNOLOGICAL ADVANCEMENT, ALL PRODUCTS ARE SUBJECT TO DESIGN AND OR MATERIAL CHANGE WITHOUT NOTICE.

BIO-MICROBICS © 2014

WEIGHT	lb	SIZE	DRAWING NUMBER	SHEET 1 OF 2
NAME	DATE	A	Fiberglass/Plastic	
DRAWN	CTC 2/19/2010		Tank	
CHECKED	PF 4/8/2014		REV. INI-01-U	

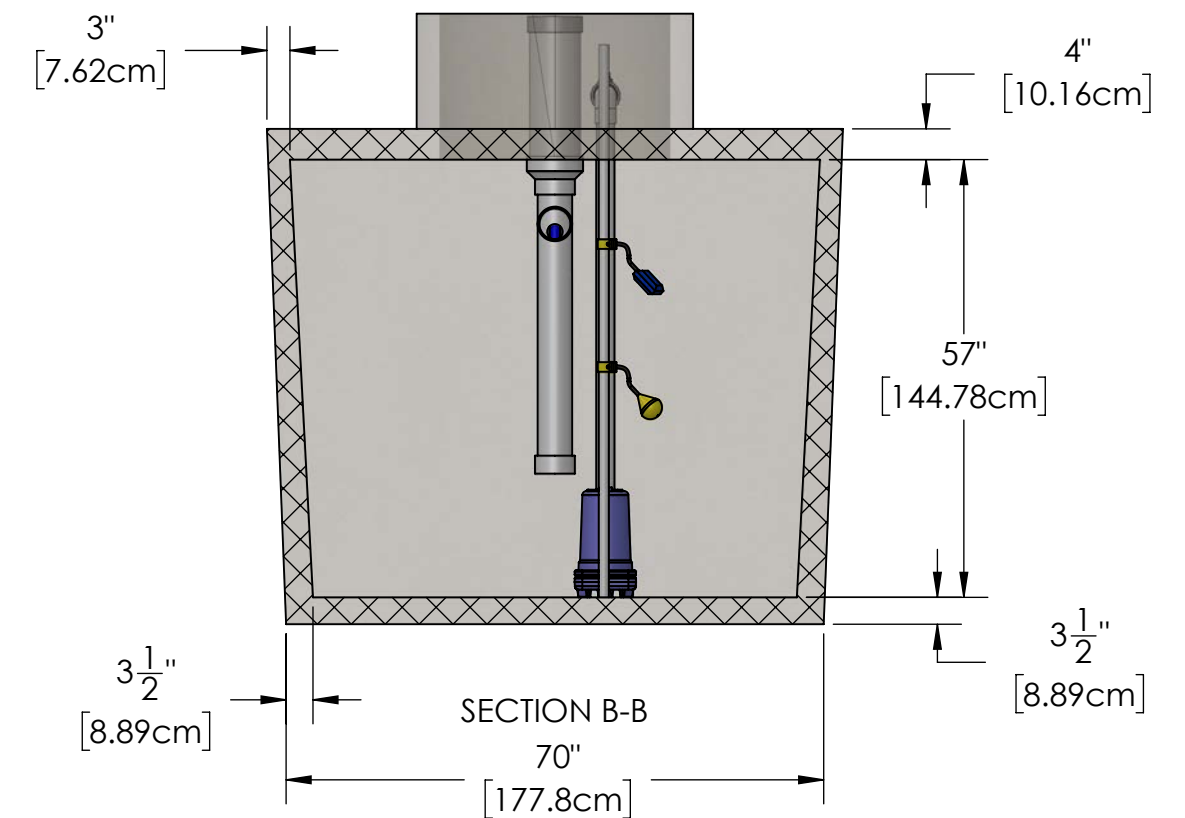
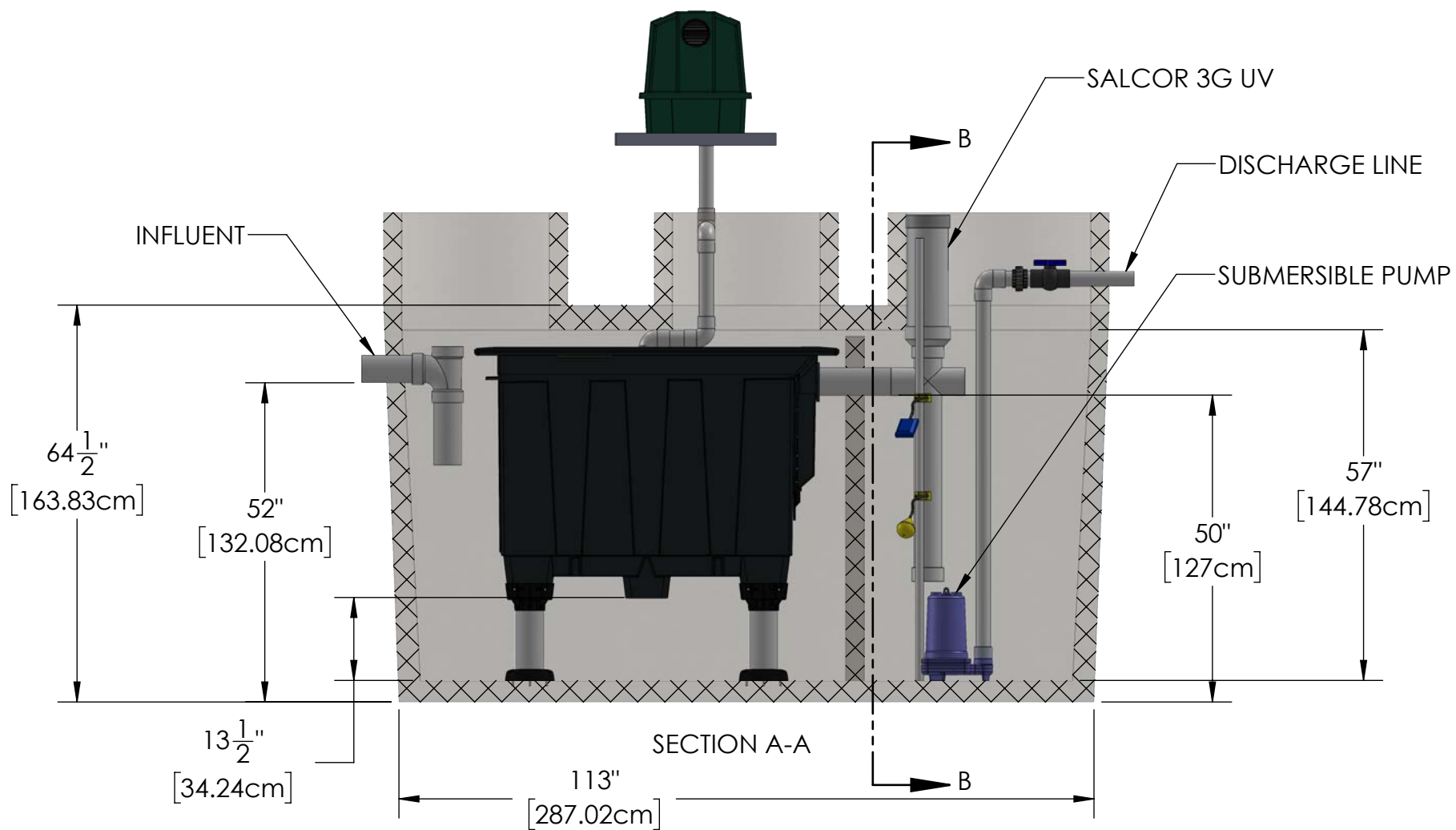
REVISIONS		
REV.	DESCRIPTION	DATE
A	RELEASED	4/15/2020




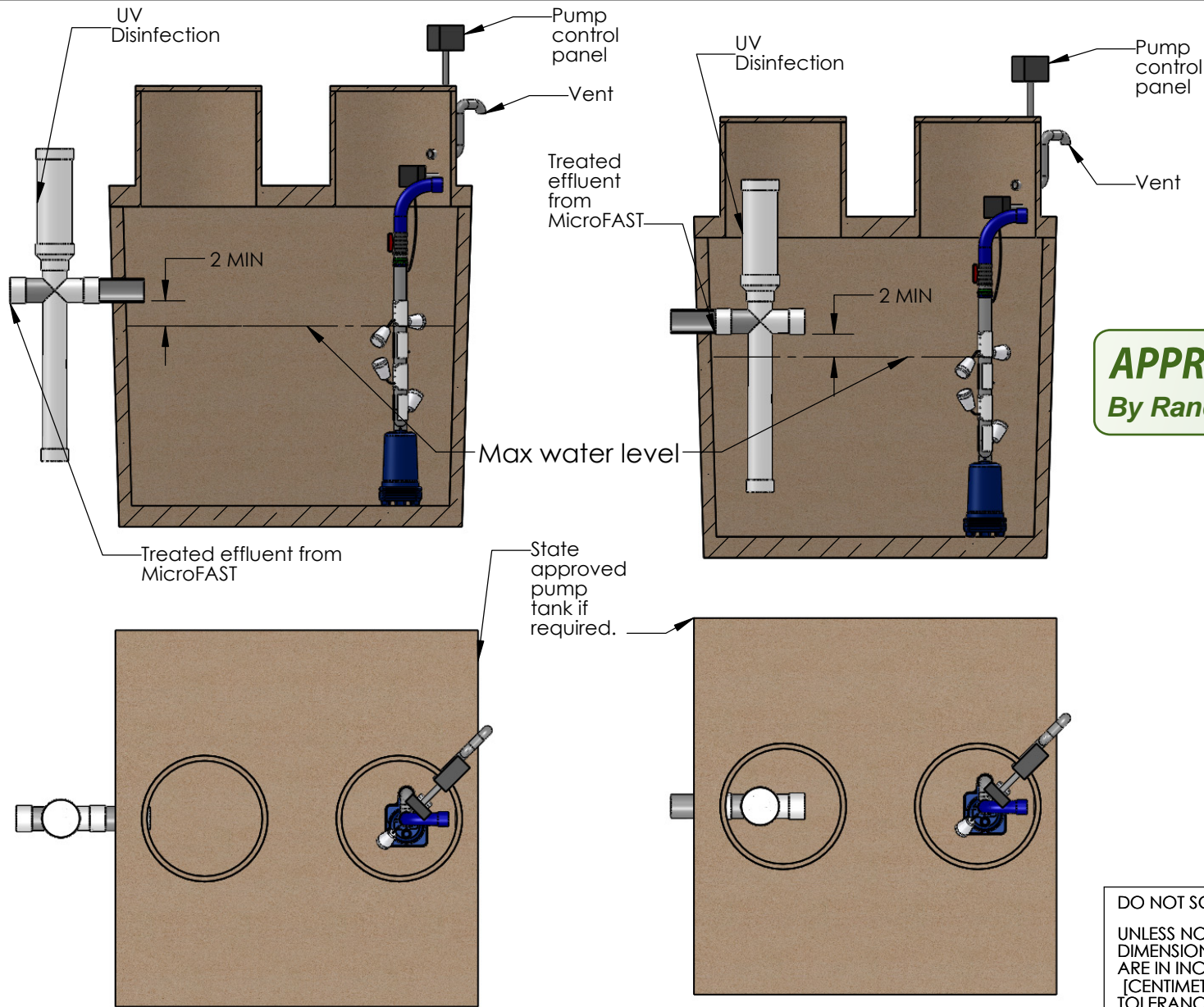
**APPROVED**

By Randy Trox, REHS at 1:58 pm, Apr 24, 2020

Unit preceded by Oregon-approved septic tank



<b>PROPRIETARY AND CONFIDENTIAL</b> THE INFORMATION CONTAINED IN THIS DRAWING IS THE SOLE PROPERTY OF BIO-MICROBICS, INC.. ANY REPRODUCTION IN PART OR AS A WHOLE WITHOUT THE WRITTEN PERMISSION OF BIO-MICROBICS, INC. IS PROHIBITED. <b>DO NOT SCALE DRAWING</b>	UNLESS OTHERWISE SPECIFIED DIMENSIONS ARE IN INCHES AND TOLERANCES ARE AS FOLLOWS X° ± 1° .X ± .50 .XX ± .25	 BETTER WATER. BETTER WORLD.™
	DRAWN BY: <b>HRA</b>	
<b>SHEET 1 OF 1</b>	DATE: <b>04/15/2020</b>	PART NUMBER <b>OREGON STD 0.5 LOWBOY</b>
SCALE: <b>1:25</b>	APPROVED BY: <b>HRA</b>	REV <b>A</b>
SIZE: <b>B</b>	APPROVED DATE: <b>04/15/2020</b>	



**APPROVED**  
 By Randy Trox at 2:38 pm, Oct 27, 2015

### Fail Safe Pump Arrangement

DO NOT SCALE  
 UNLESS NOTED  
 DIMENSIONS  
 ARE IN INCHES  
 [CENTIMETERS]  
 TOLERANCES  
 ± 0.02 IN/IN  
 [± 0.05 CM/CM]

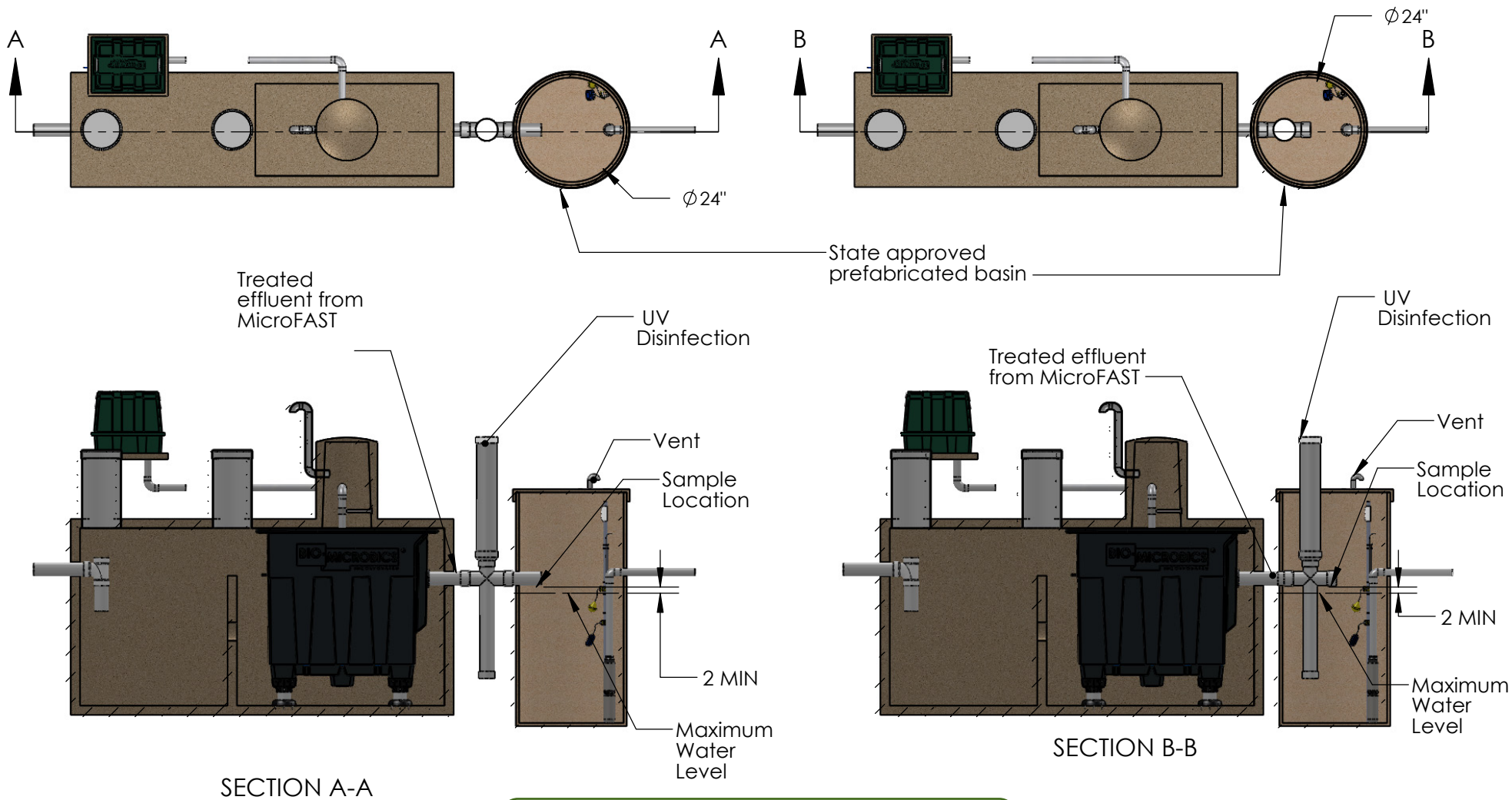


Oregon Treatment Std 2

WEIGHT	lb	SIZE	DRAWING NUMBER	SHEET 2 OF 2
NAME	DATE	A	Tank Installation	
DRAWN	CTC 2/19/2010			
CHECKED	PF 4/8/2014		REVISED 4/8/2014	
			REV. INI-01-U	

THE INFORMATION CONTAINED IN THIS DRAWING IS THE SOLE PROPERTY OF BIO-MICROBICS INC. ANY REPRODUCTION IN PART OR AS A WHOLE WITHOUT THE WRITTEN PERMISSION OF BIO-MICROBICS INC. IS PROHIBITED. DESIGN AND INVENTION RIGHTS ARE RESERVED. IN THE INTEREST OF TECHNOLOGICAL ADVANCEMENT, ALL PRODUCTS ARE SUBJECT TO DESIGN AND OR MATERIAL CHANGE WITHOUT NOTICE.

BIO-MICROBICS © 2014



SECTION A-A

SECTION B-B

**APPROVED**  
*By Randy Trox at 2:38 pm, Oct 27, 2015*

Oregon Preapproved Treatment Tanks

- Waite 1000 Gallon Tank
- Hanks Concrete Products 1250 Gallon Tank
- Willamette Greystone Tank 1000 Gallon Clamshell Septic Tank
- Infiltrator IM1060 Tank

Consult factory for additional approved tanks.

DO NOT SCALE  
 UNLESS NOTED  
 DIMENSIONS  
 ARE IN INCHES  
 [CENTIMETERS]  
 TOLERANCES  
 ± 0.02 IN/IN  
 [± 0.05 CM/CM]

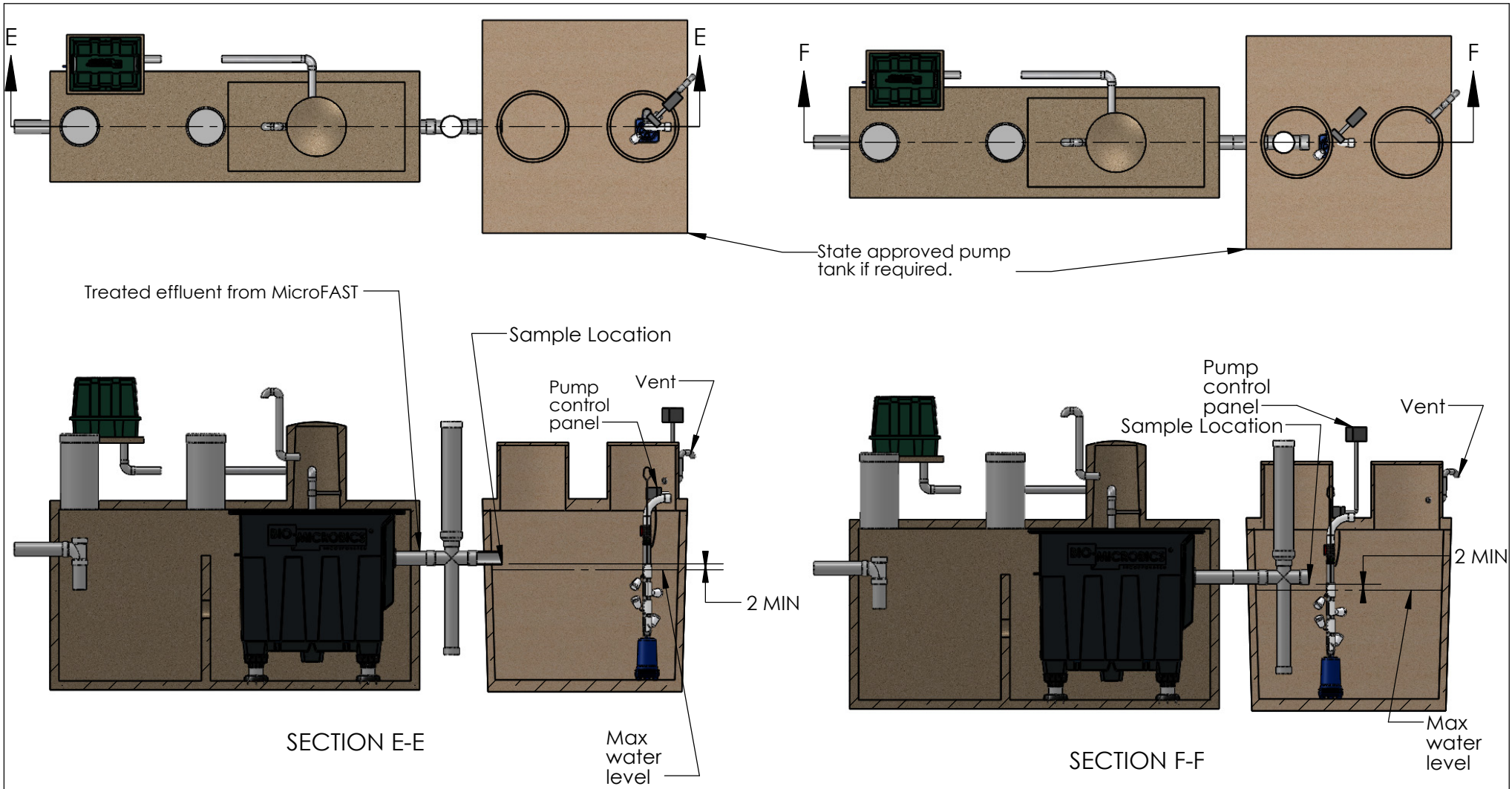


Oregon Treatment Std 2

THE INFORMATION CONTAINED IN THIS DRAWING IS THE SOLE PROPERTY OF BIO-MICROBICS INC. ANY REPRODUCTION IN PART OR AS A WHOLE WITHOUT THE WRITTEN PERMISSION OF BIO-MICROBICS INC. IS PROHIBITED. DESIGN AND INVENTION RIGHTS ARE RESERVED. IN THE INTEREST OF TECHNOLOGICAL ADVANCEMENT, ALL PRODUCTS ARE SUBJECT TO DESIGN AND OR MATERIAL CHANGE WITHOUT NOTICE.

BIO-MICROBICS © 2014

WEIGHT	lb	SIZE	DRAWING NUMBER	SHEET 1 OF 2
NAME	DATE	A	Bio-Microbics Tank Layout	
DRAWN	CTC 2/19/2010			
CHECKED	PF 6/11/2014		REVISED 6/11/2014 REV. INI-01-W	



Oregon Preapproved Treatment Tanks

- Waite 1000 Gallon Tank
- Hanks Concrete Products 1250 Gallon Tank
- Willamette Greystone Tank 1000 Gallon Clamshell Septic Tank
- Infiltrator IM1060 Tank

Consult factory for additional approved tanks.

**APPROVED**

*By Randy Trox at 2:38 pm, Oct 27, 2015*

DO NOT SCALE

UNLESS NOTED DIMENSIONS ARE IN INCHES [CENTIMETERS] TOLERANCES ± 0.02 IN/IN [± 0.05 CM/CM]



Oregon Treatment Std 2

THE INFORMATION CONTAINED IN THIS DRAWING IS THE SOLE PROPERTY OF BIO-MICROBICS INC. ANY REPRODUCTION IN PART OR AS A WHOLE WITHOUT THE WRITTEN PERMISSION OF BIO-MICROBICS INC. IS PROHIBITED. DESIGN AND INVENTION RIGHTS ARE RESERVED. IN THE INTEREST OF TECHNOLOGICAL ADVANCEMENT, ALL PRODUCTS ARE SUBJECT TO DESIGN AND OR MATERIAL CHANGE WITHOUT NOTICE.

BIO-MICROBICS © 2014

WEIGHT		lb	SIZE	DRAWING NUMBER		SHEET 2 OF 2
NAME	DATE		A	Bio-Microbics Tank Layout		
DRAWN	CTC	2/19/2010		REVISED 6/11/2014		
CHECKED	PF	6/11/2014		REV. INI-01-W		