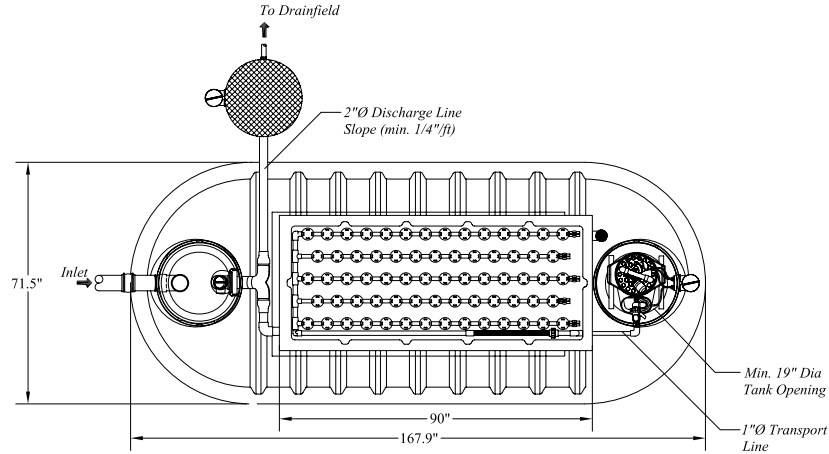
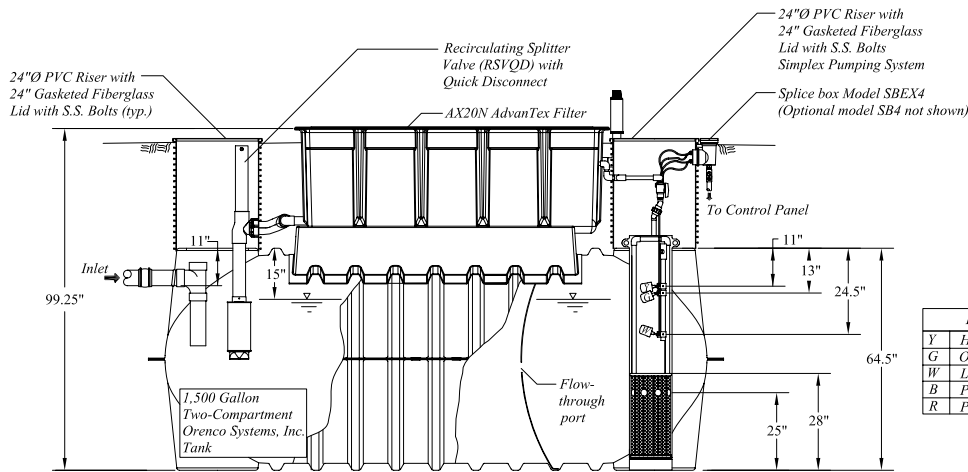


AdvanTex® AX20N Mode 3B w/Fiberglass Tank w/Saddle



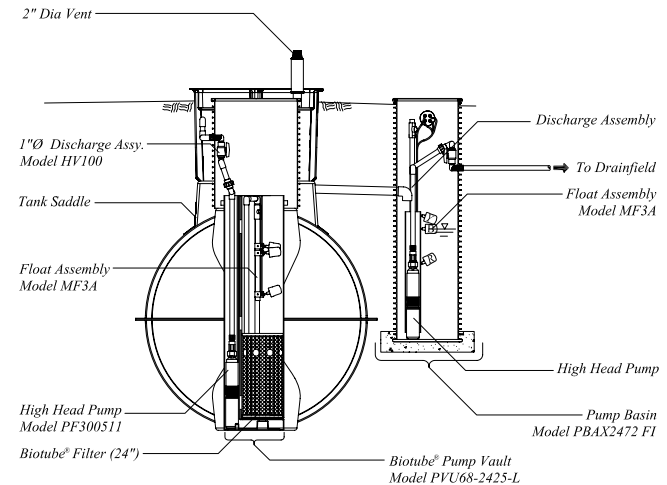
Top View
Scale: 1" = 3'-0"



Side View
Scale: 1" = 3'-0"

Float Functions	
Y	High Level Alarm
G	Override Timer ON/OFF
W	LLA/RO
B	Pump On
R	Pump Off

Approved by DEQ
9/14/2007



End View
Scale: 1" = 3'-0"

Design Notes

Expected Flows
 • Q_{Peak} = 500 gpd
 Up To 4 Bedrooms

Expected Influent Quality
 Grease & Oil: 20 mg/L
 BOD: 150 mg/L
 TSS: 40 mg/L
 TKN: 65 mg/L

Typical Effluent Quality
 BOD: < 10 mg/L
 TSS: < 10 mg/L
 TN: < 25 mg/L



Title: AdvanTex® AX20N Mode 3B

Drawing No. NDW-ATX-OR-5

Date: 8/21/07 Scale: 1" = 3'-0"

Drawn By: CHRIS JORDAN

Drawing: 1 OF 1

Revision: A-04

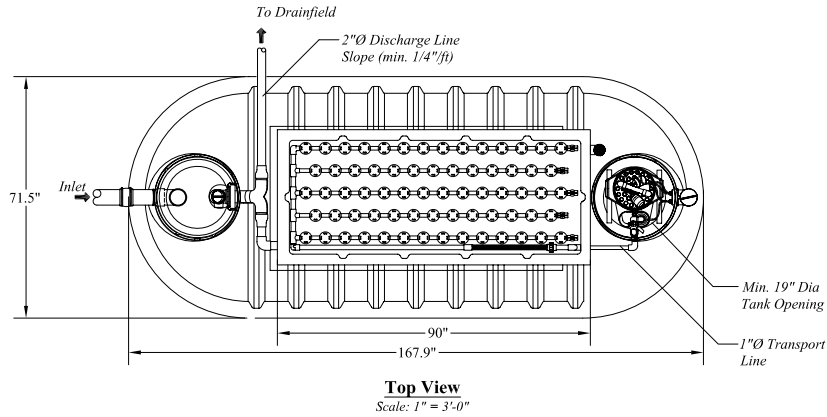
Designed By: ENGINEERING

Approved By: DARREN SIMME

Date Approved: 8/22/07

U.S. Patents 4,439,323
 5,492,635; 6,372,137; 5,360,556
 5,980,748; 5,531,894; 5,480,561
 D461,870; D445,476
 Other Patents Pending
 © 2005 Orencia Systems®, Inc

AdvanTex® AX20N Mode 3A w/Fiberglass Tank w/Saddle



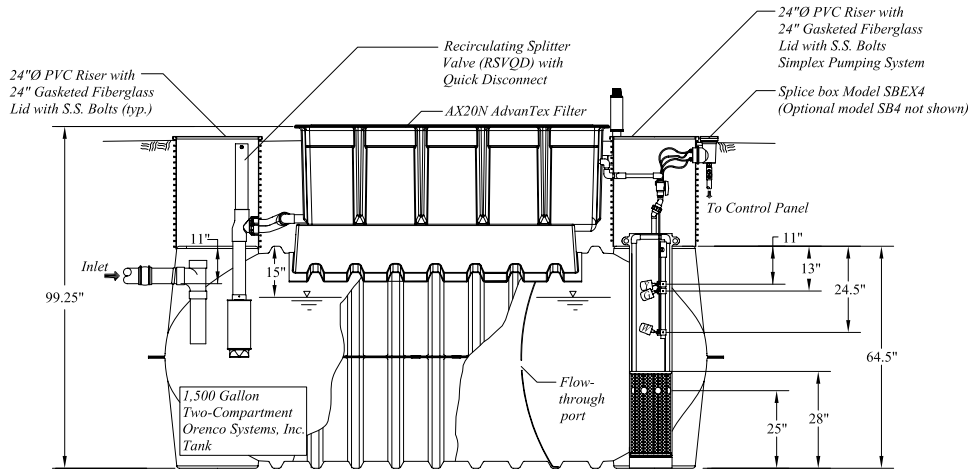
Approved by DEQ
9/14/2007

Design Notes

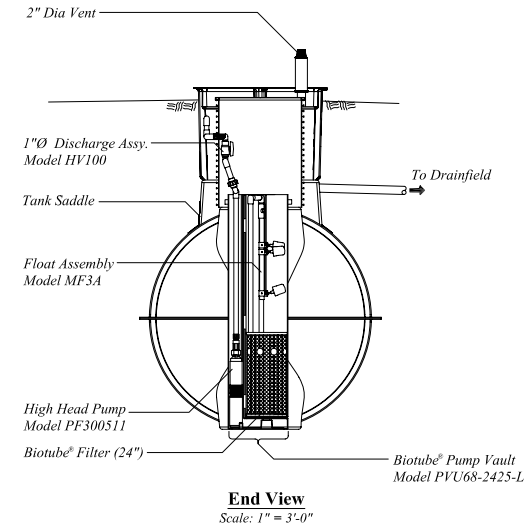
Expected Flows
 • Q_{Peak} = 500 gpd
 Up To 4 Bedrooms

Expected Influent Quality
 Grease & Oil: 20 mg/L
 BOD: 150 mg/L
 TSS: 40 mg/L
 TKN: 65 mg/L

Typical Effluent Quality
 BOD: < 10 mg/L
 TSS: < 10 mg/L
 TN: < 25 mg/L

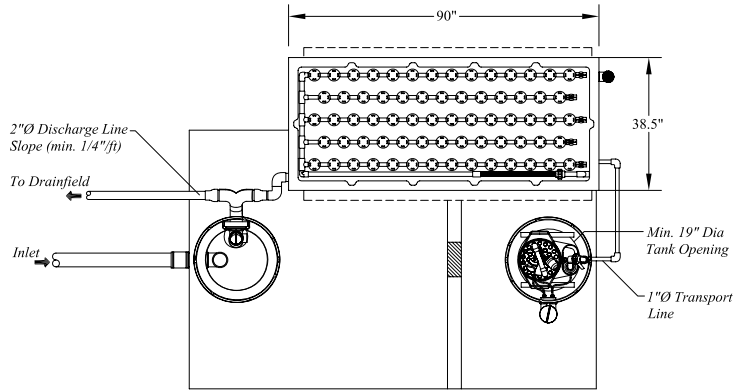


Float Functions	
Y	High Level Alarm
G	Override Timer ON/OFF
W	LLA/RO

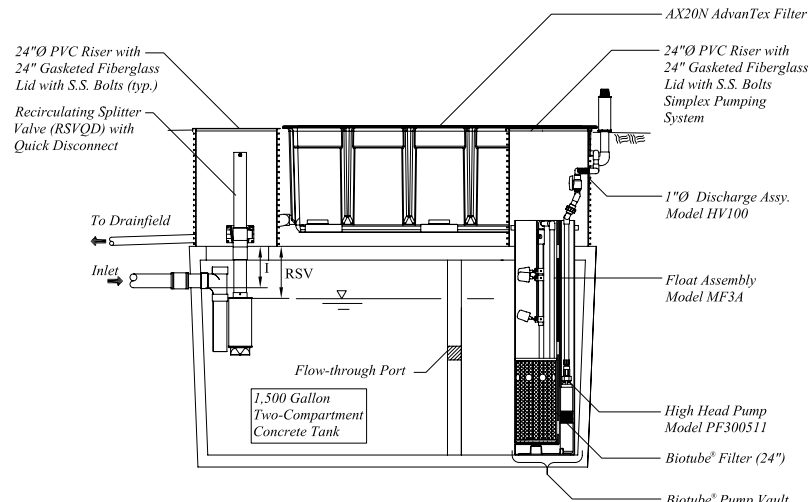


Title: AdvanTex® AX20N Mode 3A		Scale: 1" = 3'-0"	
Drawn By: CHRIS JORDAN	Drawing No. NDW-ATX-OR-6	Date: 8/21/07	
Designed By: ENGINEERING	Drawing: 1 OF 1	Revision: A-04	
Approved By: DARREN SIMME	Date Approved: 8/22/07		
U.S. Patents 4,439,323 5,492,635; 6,372,137; 5,360,556 5,980,748; 5,531,894; 5,480,561 D461,870; D445,476 Other Patents Pending © 2005 Orencia Systems®, Inc.			

AdvanTex® AX20N Mode 3A w/Concrete Tank



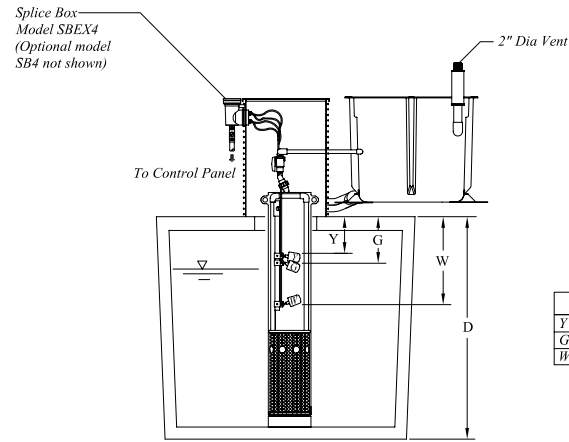
Top View
Scale: 1" = 3'-0"



Side View
Scale: 1" = 3'-0"

Approved by DEQ
9/14/2007

Tank Manufacturer	Tank Size	I	D	Y (High Level)	G (Timer Override On/Off)	W (Low Level)	RSV
Orengo FRP	1500 Gal.	11"	64.5"	11"	13"	25"	15"
Willamette Graystone	1500 Gal.	11"	64.5"	11"	13"	25"	15"
Riverside Ready Mix	1500 Gal.	11"	60.5"	11"	13"	25"	15"
Waite Concrete Prod.	1500 Gal.	10"	64"	10"	12"	24"	14"
Advanced Pre-Cast	1500 Gal.	10"	68"	10"	12"	24"	14"
Hank's Concrete Prod.	1500 Gal.	10"	58"	10"	12"	24"	14"



End View
Scale: 1" = 3'-0"

Float Functions	
Y	High Level Alarm
G	Override Timer ON/OFF
W	LLA/RO

Design Notes

Expected Flows
 • Q_{Peak} = 500 gpd
 Up To 4 Bedrooms

Expected Influent Quality
 Grease & Oil: 20 mg/L
 BOD: 150 mg/L
 TSS: 40 mg/L
 TKN: 65 mg/L

Typical Effluent Quality
 BOD: < 10 mg/L
 TSS: < 10 mg/L
 TN: < 25 mg/L



Orenco Systems®
Incorporated

Title: AdvanTex® - AX20N Mode 3A

Drawing No. NDW-ATX-OR-7

Date: 8/21/07 Scale: 1" = 3'-0"

Drawn By: CHRIS JORDAN

Drawing: 1 OF 1

Revision: A-04

Designed By: ENGINEERING

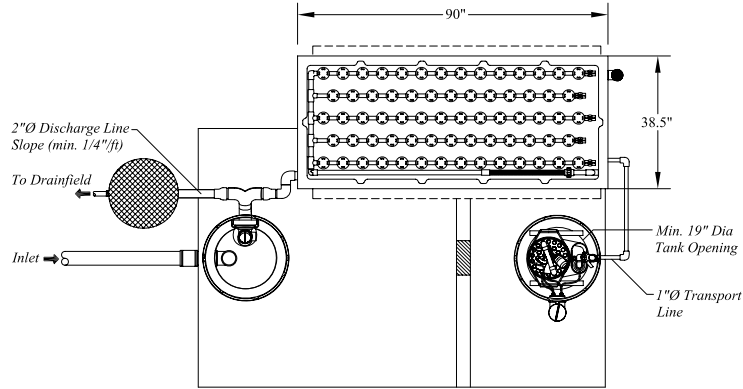
Approved By: DARREN SIMME

Date Approved: 8/22/07

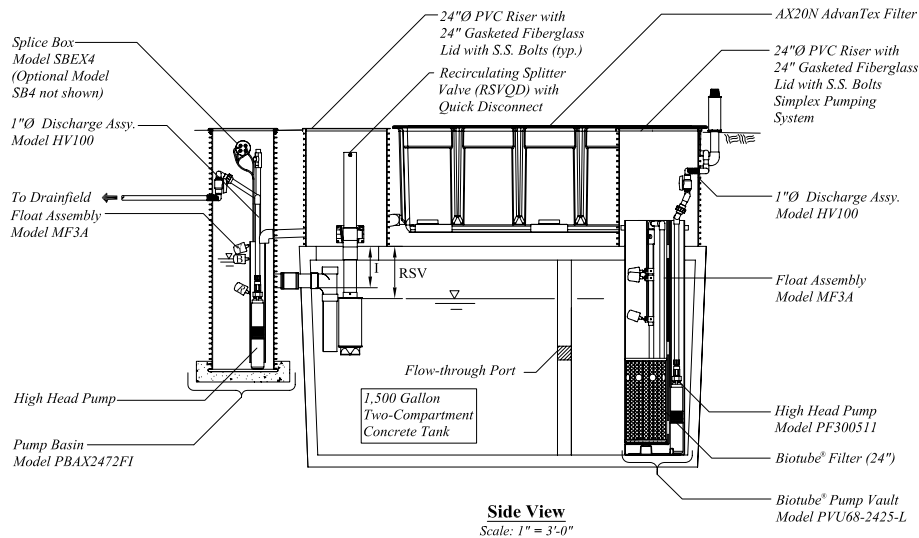
U.S. Patents-4,439,323
 5,492,635-6,372,137-5,360,556
 5,980,748-5,537,894- 5,480,561
 Other Patents Pending
 © 2005 Orenco Systems®, Inc

AdvanTex® AX20N Mode 3B w/Concrete Tank

Approved by DEQ
9/14/2007

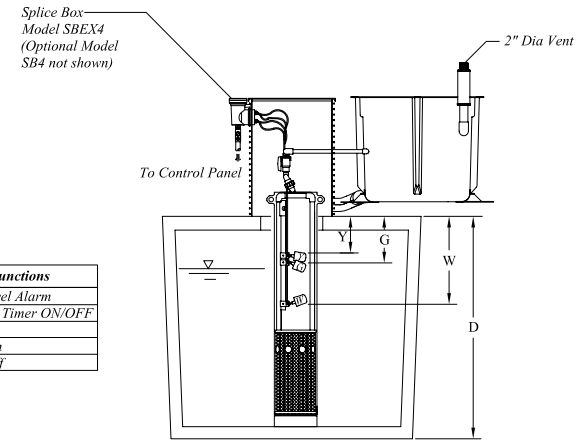


Top View
Scale: 1" = 3'-0"



Side View
Scale: 1" = 3'-0"

Tank Manufacturer	Tank Size	I	D	Y (High Level)	G (Timer Override On/Off)	W (Low Level)	RSV
Orenco FRP	1500 Gal.	11"	64.5"	11"	13"	25"	15"
Willamette Graystone	1500 Gal.	11"	64.5"	11"	13"	25"	15"
Riverside Ready Mix	1500 Gal.	11"	60.5"	11"	13"	25"	15"
Waite Concrete Prod.	1500 Gal.	10"	64"	10"	12"	24"	14"
Advanced PreCast	1500 Gal.	10"	68"	10"	12"	24"	14"
Hank's Concrete Prod.	1500 Gal.	10"	58"	10"	12"	24"	14"



End View
Scale: 1" = 3'-0"

Float Functions	
Y	High Level Alarm
G	Override Timer ON/OFF
W	LLA/RO
B	Pump On
R	Pump Off

Design Notes

Expected Flows
 • Q_{Peak} = 500 gpd
 Up To 4 Bedrooms

Expected Influent Quality
 Grease & Oil: 20 mg/L
 BOD: 150 mg/L
 TSS: 40 mg/L
 TKN: 65 mg/L

Typical Effluent Quality
 BOD: < 10 mg/L
 TSS: < 10 mg/L
 TN: < 25 mg/L



Title: AdvanTex® - AX20N Mode 3B

Drawing No. NDW-ATX-OR-8

Date: 8/21/07 Scale: 1" = 3'-0"

Drawn By: CHRIS JORDAN

Drawing: 1 OF 1

Revision: A-04

Designed By: ENGINEERING

Approved By: DARREN SIMME

Date Approved: 8/22/07

U.S. Patents-4,439,323
 5,492,635-6,372,137-5,360,556
 5,990,748-5,531,894- 5,480,561
 Other Patents Pending
 © 2005 Orenco Systems®, Inc

AdvanTex® AX20N 2 Pod Mode 3A w/Concrete Tank

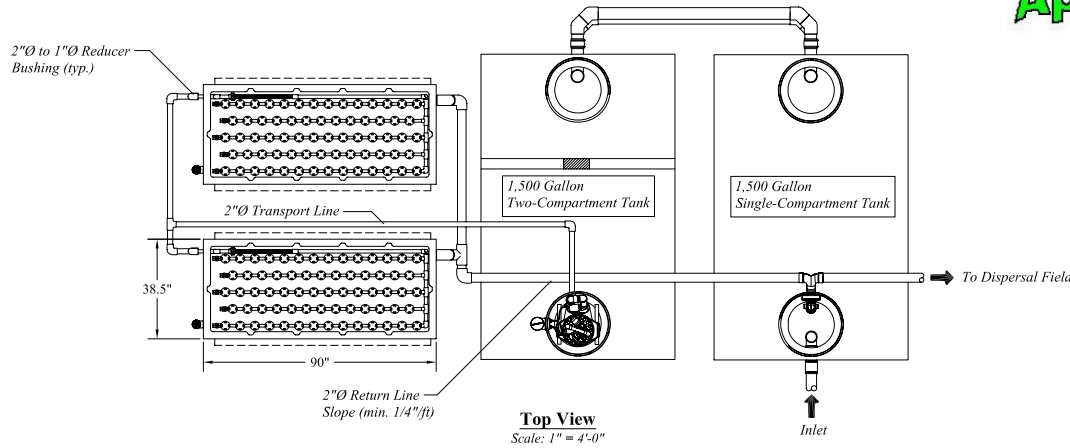
Approved by DEQ
9/14/2007

Design Notes

- Expected Flows
 • Q_{Peak} = 1000 gpd
 Up To 6 Bedrooms
- Expected Influent Quality
 Grease & Oil: 20 mg/L
 BOD: 150 mg/L
 TSS: 40 mg/L
 TKN: 65 mg/L
- Typical Effluent Quality
 BOD: < 10 mg/L
 TSS: < 10 mg/L
 TN: < 25 mg/L

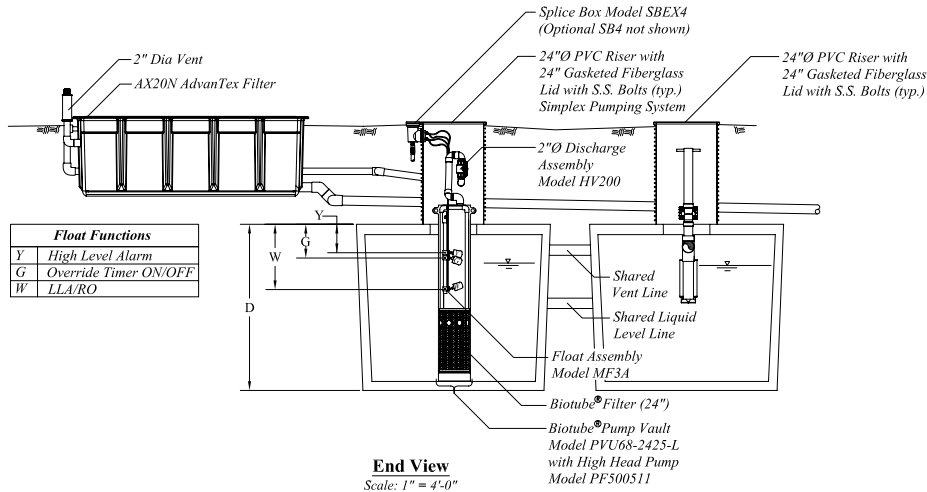


Orencia Systems®
Incorporated

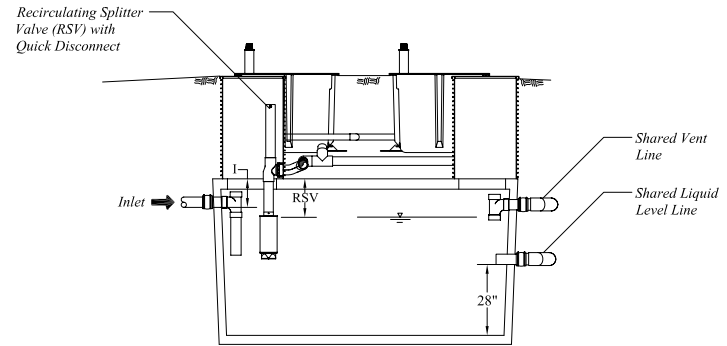


Top View
Scale: 1" = 4'-0"

Tank Manufacturer	Tank Size	I	D	Y (High Level)	G (Timer Override/On/Off)	W (Low Level)	RSV
Orencia FRP	1500 Gal.	11"	64.5"	11"	13"	25"	15"
Willamette Graystone	1500 Gal.	11"	64.5"	11"	13"	25"	15"
Riverside Ready Mix	1500 Gal.	11"	60.5"	11"	13"	25"	15"
Waite Concrete Prod.	1500 Gal.	10"	64"	10"	12"	24"	14"
Advanced PreCast	1500 Gal.	10"	68"	10"	12"	24"	14"
Hank's Concrete Prod.	1500 Gal.	10"	58"	10"	12"	24"	14"



End View
Scale: 1" = 4'-0"



Side View
Scale: 1" = 4'-0"

Float Functions	
Y	High Level Alarm
G	Override Timer ON/OFF
W	LLARO

Title: AdvanTex® AX20N 2 Pod Mode 3A

Drawn By: CHRIS JORDAN

Designed By: ENGINEERING

Drawing No. NDW-ATX-OR-18

Drawing: 1 OF 1

Approved By: DARREN SIMME

Date: 8/21/07

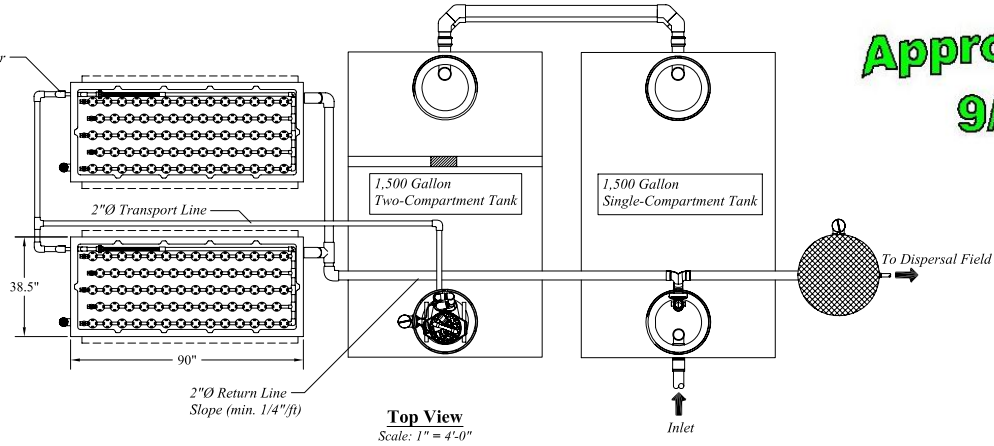
Revision: A-04

Date Approved: 8/22/07

U.S. Patents-4,439,323
 5,492,635-6,372,137-5,360,566
 5,980,748-5,631,894- 5,480,561
 Other Patents Pending
 © 2005 Orencia Systems®, Inc

AdvanTex® AX20N 2 Pod Mode 3B w/Concrete Tank

2"Ø to 1"Ø Reducer Bushing (typ.)



Top View
Scale: 1" = 4'-0"

Approved by DEQ
9/14/2007

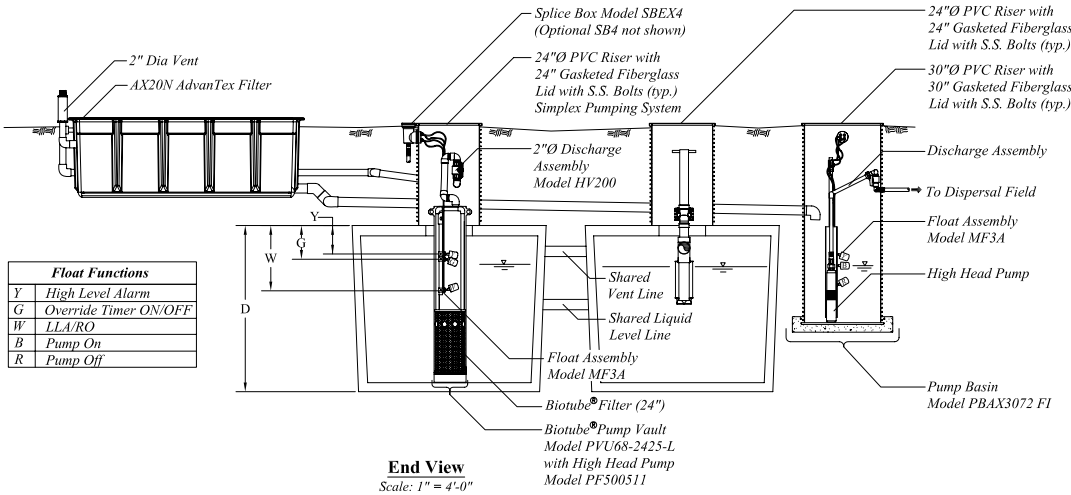
Design Notes

Expected Flows
 • $Q_{Peak} = 1000$ gpd
 Up To 6 Bedrooms
 Expected Influent Quality
 Grease & Oil: 20 mg/L
 BOD: 150 mg/L
 TSS: 40 mg/L
 TKN: 65 mg/L

Typical Effluent Quality
 BOD: < 10 mg/L
 TSS: < 10 mg/L
 TN: < 25 mg/L

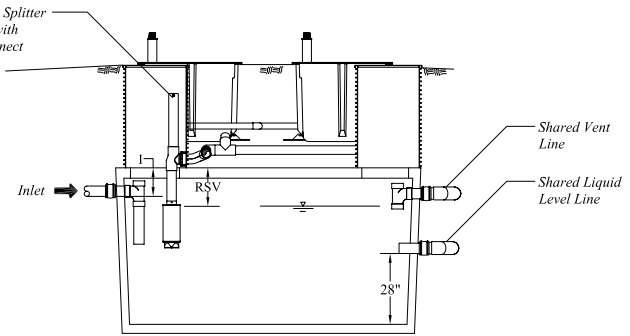


Tank Manufacturer	Tank Size	I	D	Y (High Level)	G (Timer Override On/Off)	W (Low Level)	RSV
Orencia FRP	1500 Gal.	11"	64.5"	11"	13"	25"	15"
Willamette Graystone	1500 Gal.	11"	64.5"	11"	13"	25"	15"
Riverside Ready Mix	1500 Gal.	11"	60.5"	11"	13"	25"	15"
Waite Concrete Prod.	1500 Gal.	10"	64"	10"	12"	24"	14"
Advanced PreCast	1500 Gal.	10"	68"	10"	12"	24"	14"
Hank's Concrete Prod.	1500 Gal.	10"	58"	10"	12"	24"	14"



End View
Scale: 1" = 4'-0"

Recirculating Splitter Valve (RSV) with Quick Disconnect



Side View
Scale: 1" = 4'-0"

Float Functions	
Y	High Level Alarm
G	Override Timer ON/OFF
W	LLA/RO
B	Pump On
R	Pump Off

Title: AdvanTex® AX20N 2 Pod Mode 3B

Drawn By: CHRIS JORDAN

Designed By: ENGINEERING

Drawing No. NDW-ATX-OR-19

Drawing: 1 OF 1

Approved By: DARREN SWINIE

Date: 8/21/07

Revision: A-04

Date Approved: 8/22/07

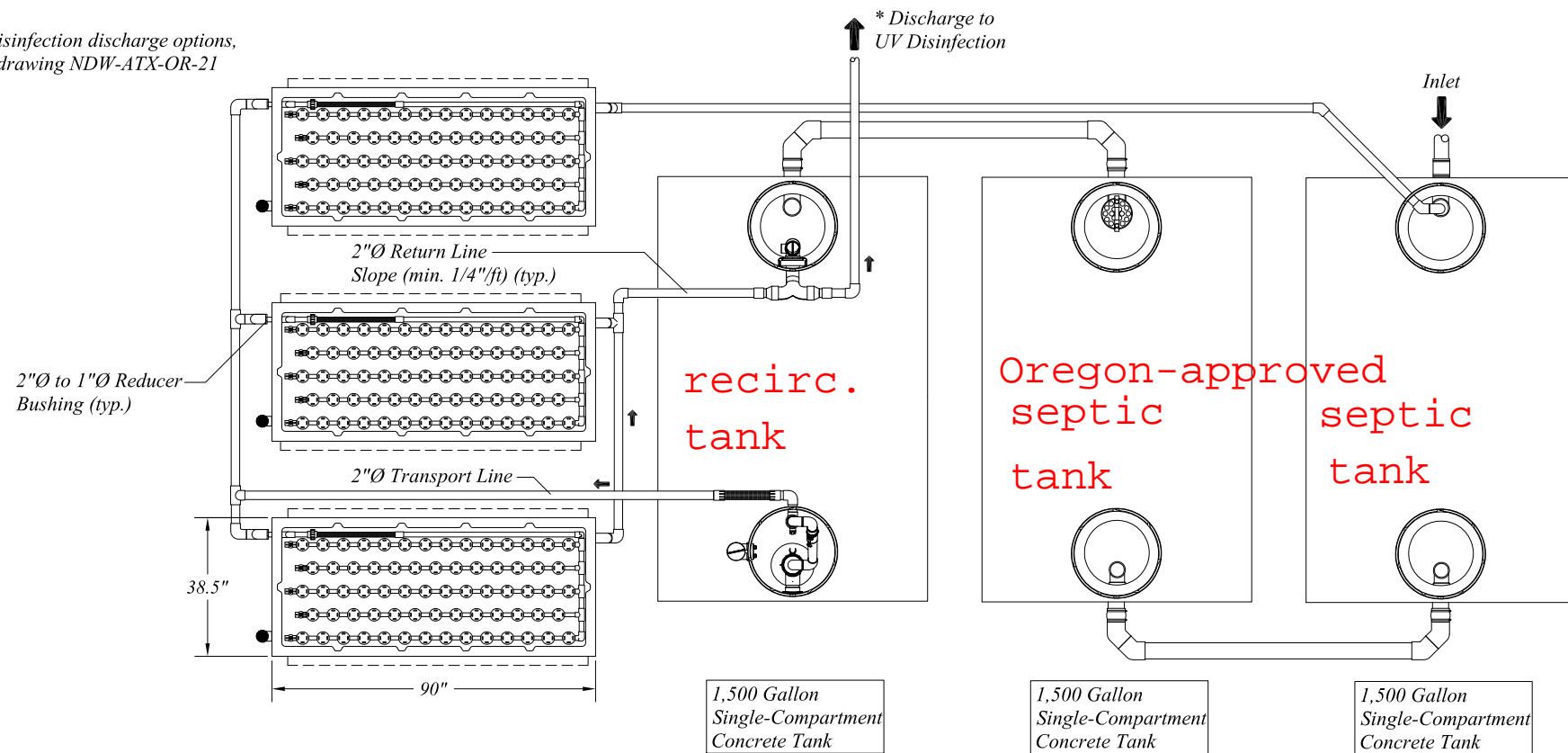
U.S. Patents-4,439,323
 5,492,635-6,372,137-5,360,566
 5,980,748-5,631,894- 5,480,561
 Other Patents Pending
 © 2005 Orencia Systems®, Inc

AdvanTex® AX20-3 Mode 3 - Treatment Standard 2

Design and Installation Notes

*Note:
For UV Disinfection discharge options,
reference drawing NDW-ATX-OR-21

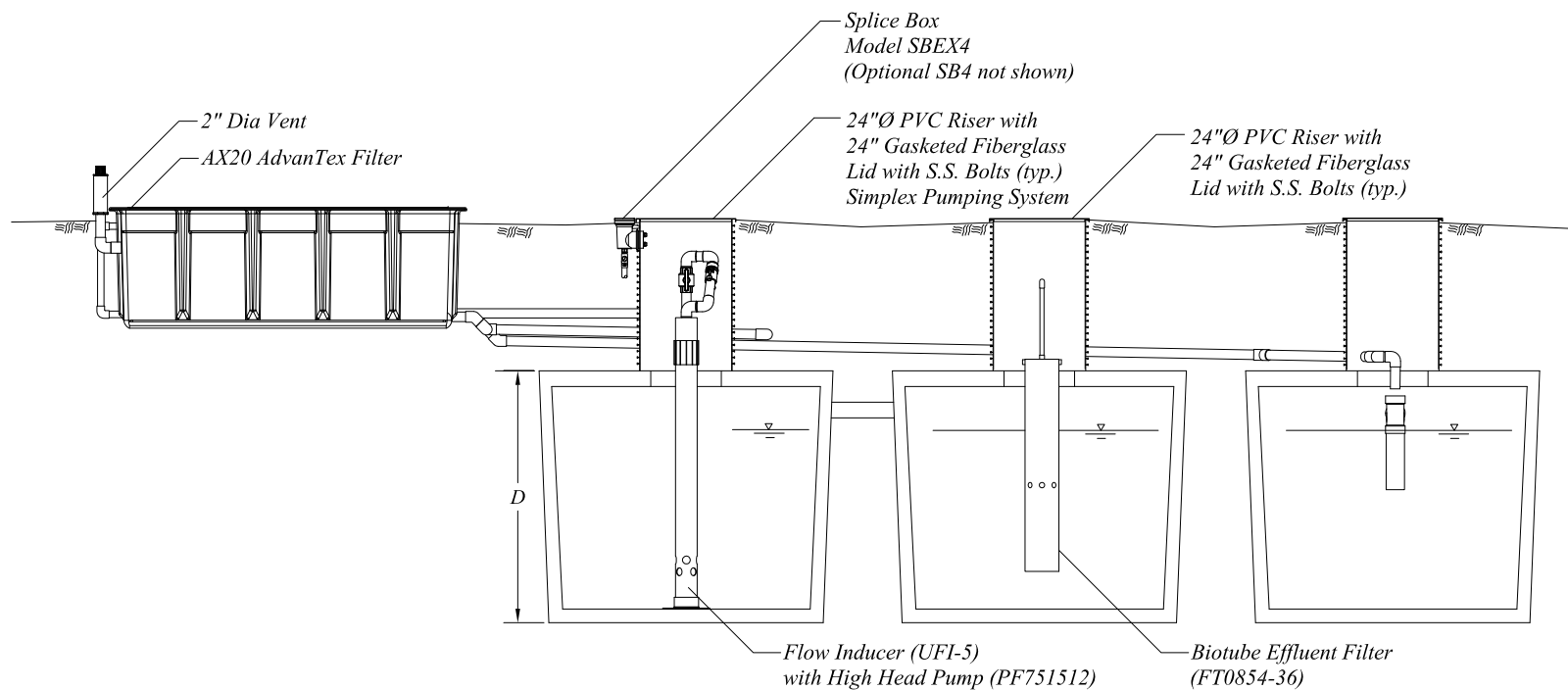
- $Q_{peak} = 1,500 \text{ gpd}$
- Installation To Be Performed By An AdvanTex Trained Installer Only
- Start-up And Service To Be Performed By An AdvanTex Trained Service Provider



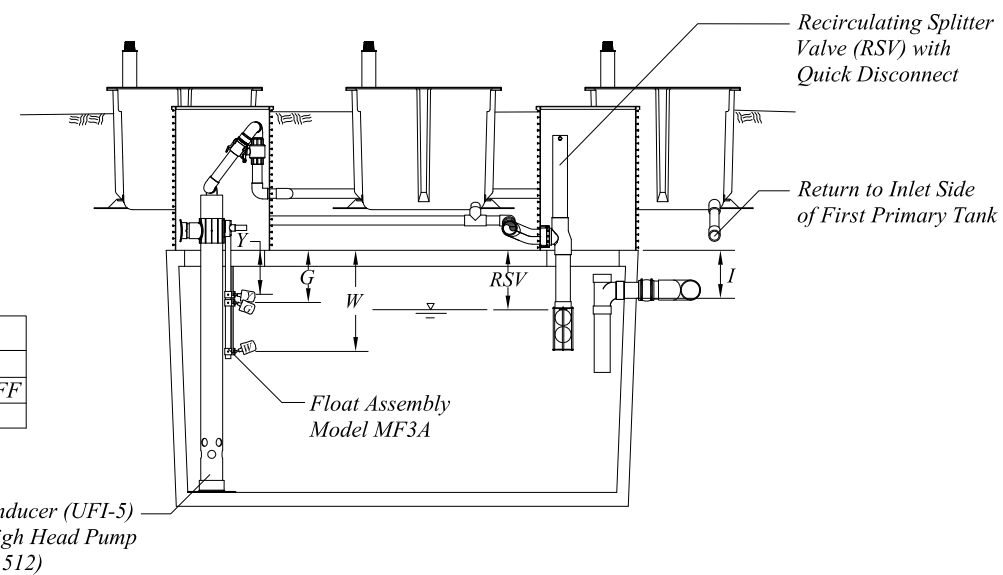
APPROVED
By Randy Trox at 7:55 am, Jun 17, 2016

1 of 2

Top View
Scale: 1" = 4'-0"



End View
Scale: 1" = 4'-0"



Side View
Scale: 1" = 4'-0"

Float Functions	
Y	High Level Alarm
G	Override Timer ON/OFF
W	LLA/RO



© Orenco Systems, Inc.
Portions or all of this Standard System Configuration Drawing, as appropriate, may be reproduced and integrated into the site-specific layout and configuration of a system by its designer.

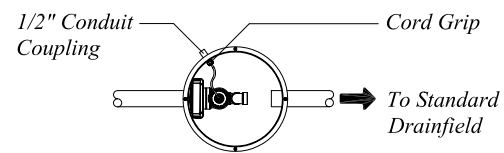
Disclaimer: This Standard System Configuration Drawing is provided solely as a design aid, and in no event should it be used as a replacement for site-specific engineering and design of the layout and configuration of an actual system. Orenco neither represents nor warrants that the configuration illustrated herein will perform in compliance with the requirements for any particular site or application.

AdvanTex
AX20-3 Mode 3
Treatment Standard 2

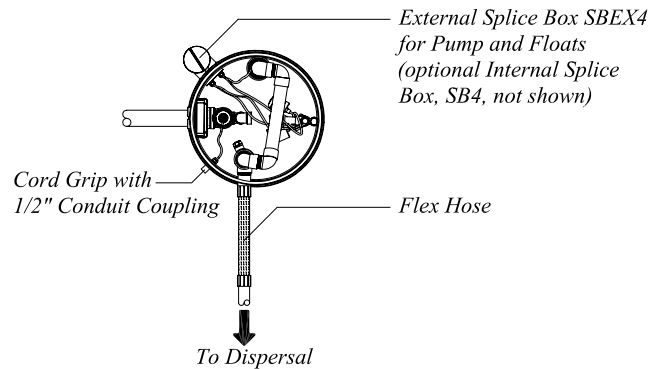
Drawn By: BEN SMITH
Reviewed By: JS
File Name: NDW-ATX-OR-REG-10

Scale: 1" = 4'-0"
Sheet: 1 OF 1
Rev: 1.1 Date: 6/10/2016

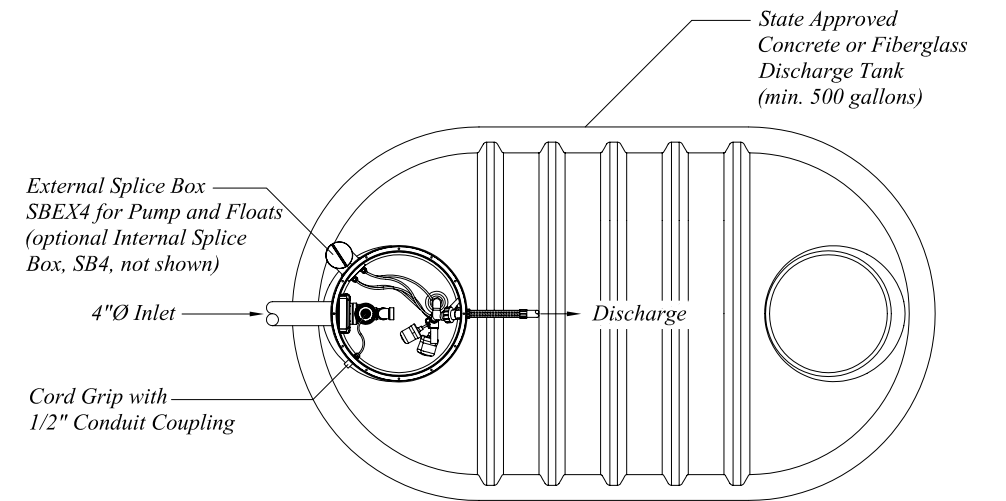
AdvanTex® AX - UV Discharge Options (Example) for Model AXUV-125/31



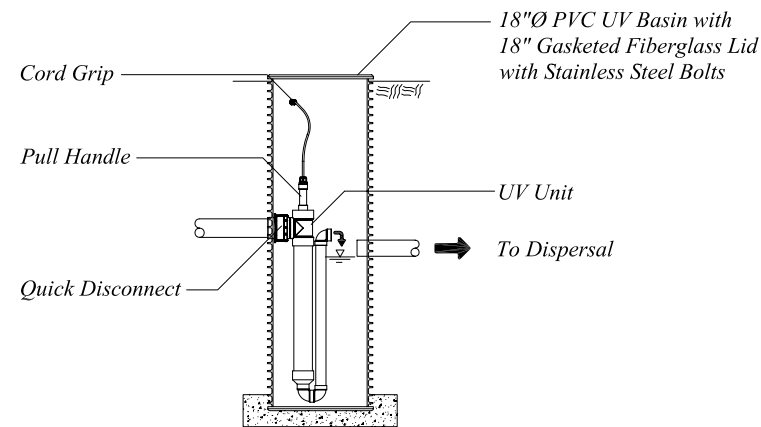
**UV Basin: Gravity Discharge Option
Top View**



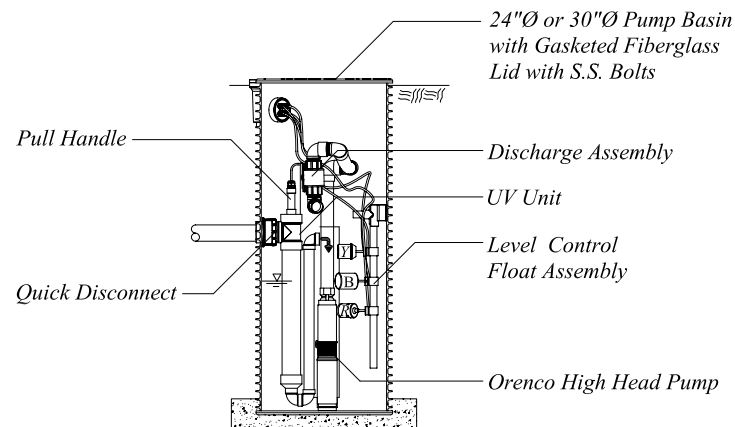
**UV Basin: Pump Discharge Option
Top View**



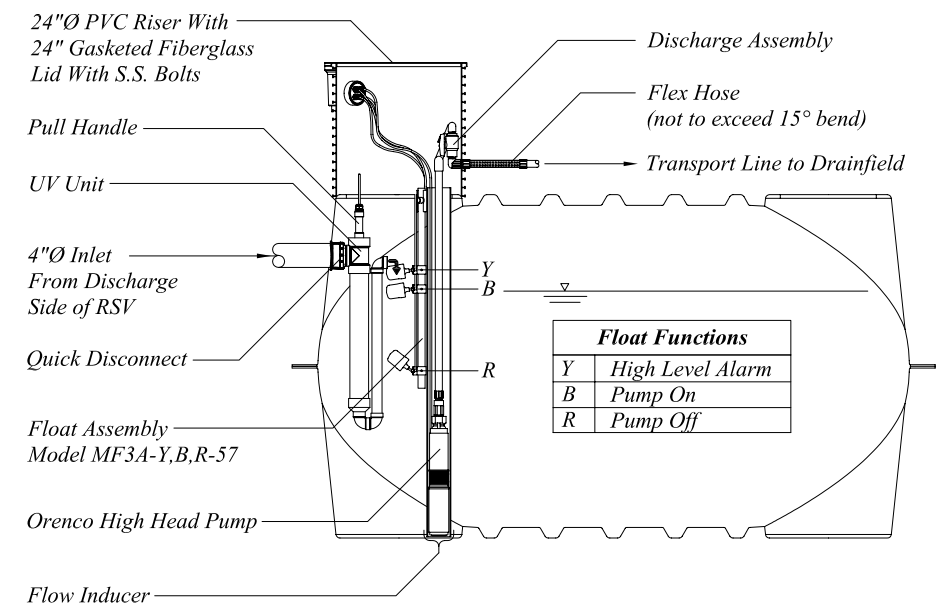
**UV Discharge Tank Option
Top View**



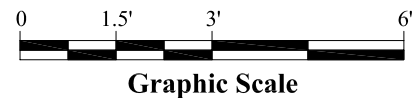
**UV Basin: Gravity Discharge Option
Side View**



**UV Basin: Pump Discharge Option
Side View**



**UV Discharge Tank Option
Side View**



Graphic Scale

UNAUTHORIZED CHANGES & USES
Orenco has prepared these drawings for use by the design engineer. Orenco will not be responsible or liable for unauthorized changes to or uses of these drawings. All changes to these drawings must be made in writing and must be approved by the design engineer.

PRODUCT CONFIGURATION DRAWINGS



Drawn By: BEN SMITH
Drawn For:

Project:
AdvanTex® - AX UV Discharge Options

Title: NDW-ATX-OR-21

Scale: 1" = 3'-0"
Sheet: 1 OF 1
Rev: A-05 Date: 8/02/2011