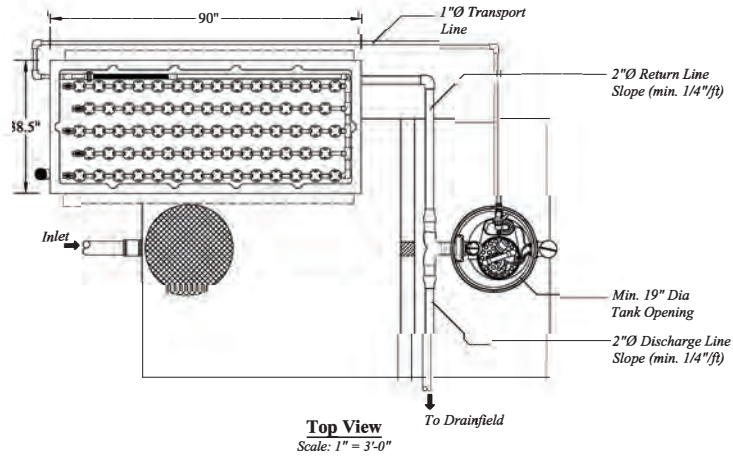


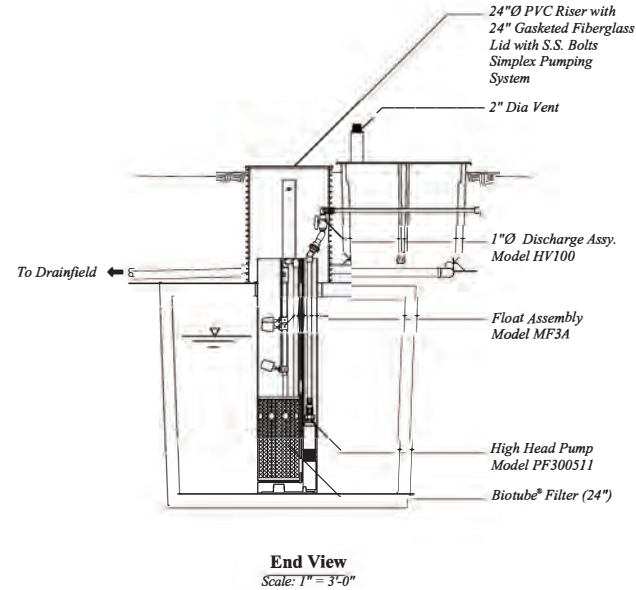
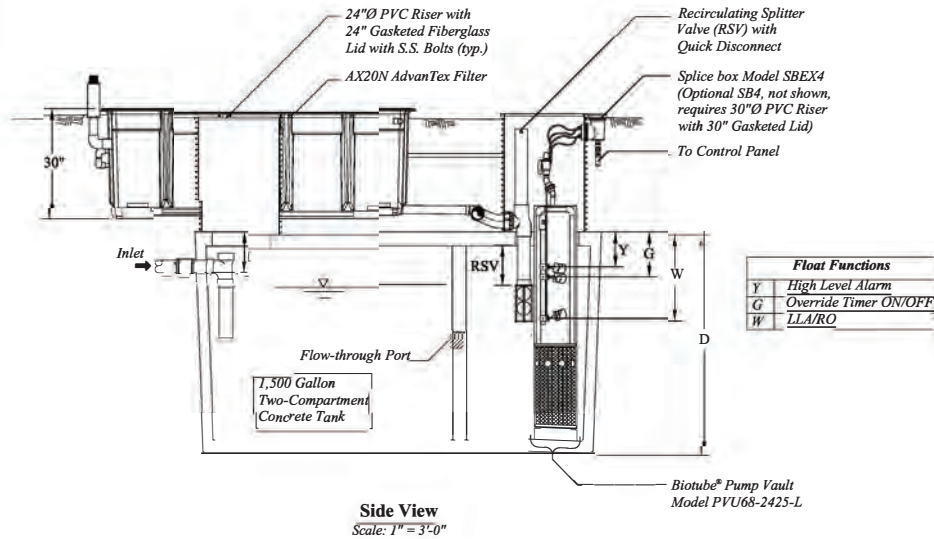
AdvanTex® AX20N Mode 1A w/Concrete Tank

Approved by DEQ
9/14/2007

Design Notes
 Expected Flows
 • Q_{Peak} = 500 gpd
 Up To 4 Bedrooms
 Expected Influent Quality
 Grease & Oil: 20 mg/L
 BOD: 150 mg/L
 TSS: 40 mg/L
 TKN: 65 mg/L
 Typical Effluent Quality
 BOD: < 10 mg/L
 TSS: < 10 mg/L
 TN: < 25 mg/L



Tank Manufacturer	Tank Size	D	Y (High Level)	G (Timer Override On/Off)	W (Low Level)	RSV	
Willamette Graystone	1500 Gal.	11"	64.5"	11"	13"	25"	15"
Riverside Ready Mix	1500 Gal.	11"	60.5"	11"	13"	25"	15"
Waite Concrete Prod.	1500 Gal.	10"	64"	10"	12"	24"	14"
Advanced PreCast	1500 Gal.	10"	68"	10"	12"	24"	14"
Hank's Concrete Prod.	1500 Gal.	10"	58"	10"	12"	24"	14"



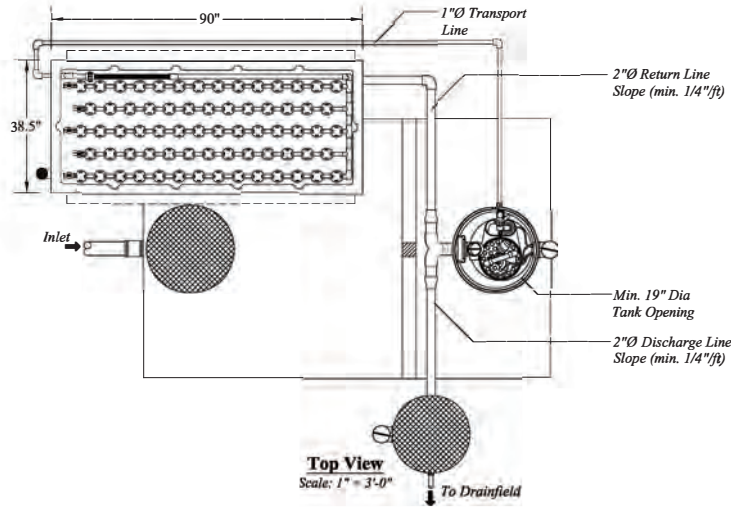
Title: AdvanTex® - AX 20N Mode 1A
 Drawing No. NDW-ATX-OR-1
 Date: 8/2/07
 Scale: 1" = 3'-0"

Drawn By: CHRIS JORDAN
 Drawing: OF
 Revision: A-04

Designed By: EN ENGINEERING
 Approved By: DARREN SIMHE
 Date Approved: 8/22/07

U.S. Patents-4,439,323
 5,492,635-6,372,137-5,360,556
 5,990,749-5,537,894- 5,480,561
 Other Patents Pending
 © 2005 Orencia Systems®, Inc

AdvanTex® AX20N Mode 1B w/Concrete Tank



Approved by DEQ
9/14/2007

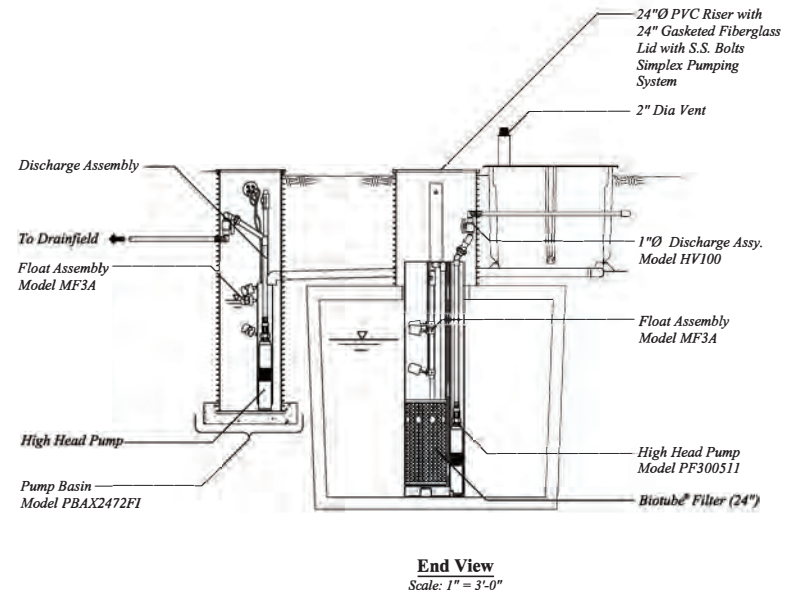
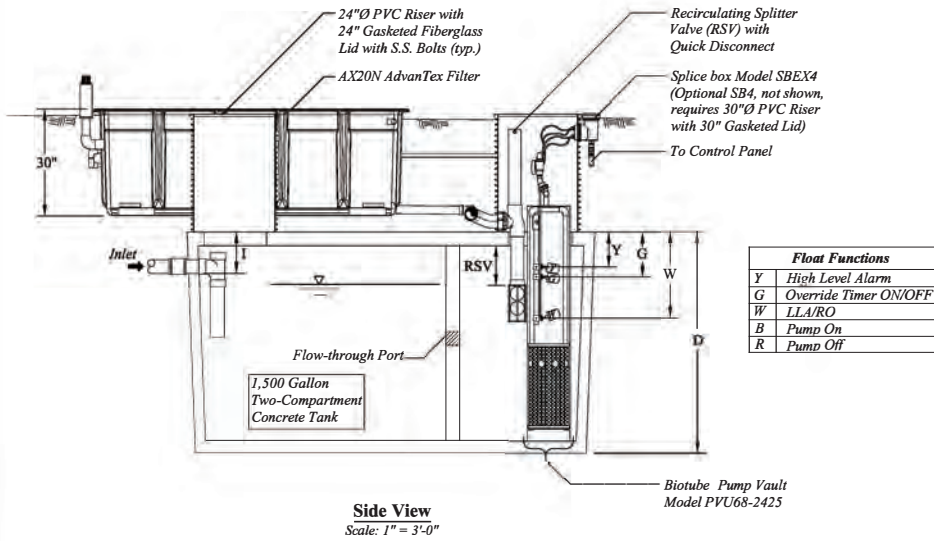
Tank Manufacturer	Tank Size	I	D	Y (High Level)	G (Timer Override On/Off)	W (Low Level)	RSV
Willamette Graystone	1500 Gal.	11"	64.5"	11"	13"	25"	15"
Riverside Ready Mix	1500 Gal.	11"	60.5"	11"	13"	25"	15"
Waite Concrete Prod.	1500 Gal.	10"	64"	10"	12"	24"	14"
Advanced Pre-Cast	1500 Gal.	10"	68"	10"	12"	24"	14"
Hank's Concrete Prod.	1500 Gal.	10"	58"	10"	12"	24"	14"

Design Notes

Expected Flows
 • $Q_{Peak} = 500$ gpd
 Up To 4 Bedrooms

Expected Influent Quality
 Grease & Oil: 20 mg/L
 BOD: 150 mg/L
 TSS: 40 mg/L
 TKN: 65 mg/L

Typical Effluent Quality
 BOD: < 10 mg/L
 TSS: < 10 mg/L
 TN: < 25 mg/L



Title: AdvanTex® - AX20N Mode 1B

Drawn By: CHRIS JORDAN

Designed By: ENGINEERING

Drawing No. NDW-ATX-OR-2

Drawing: 1 OF 1

Approved By: DARREN SIMHE

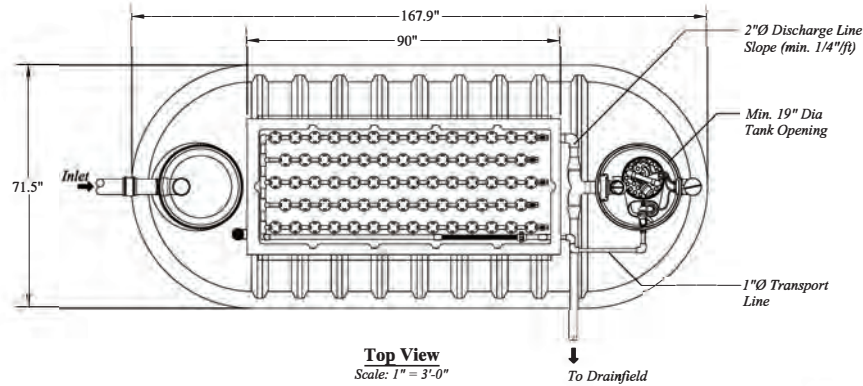
Date: 8/21/07

Revision: A-04

Date Approved: 8/22/07

U.S. Patents-4,439,323
 5,492,635-6,372,137-5,360,556
 5,990,749-5,537,894-5,480,561
 Other Patents Pending
 © 2005 Orenco Systems®, Inc

AdvanTex® AX20N Mode 1A w/Fiberglass Tank w/Saddle



Top View
Scale: 1" = 3'-0"

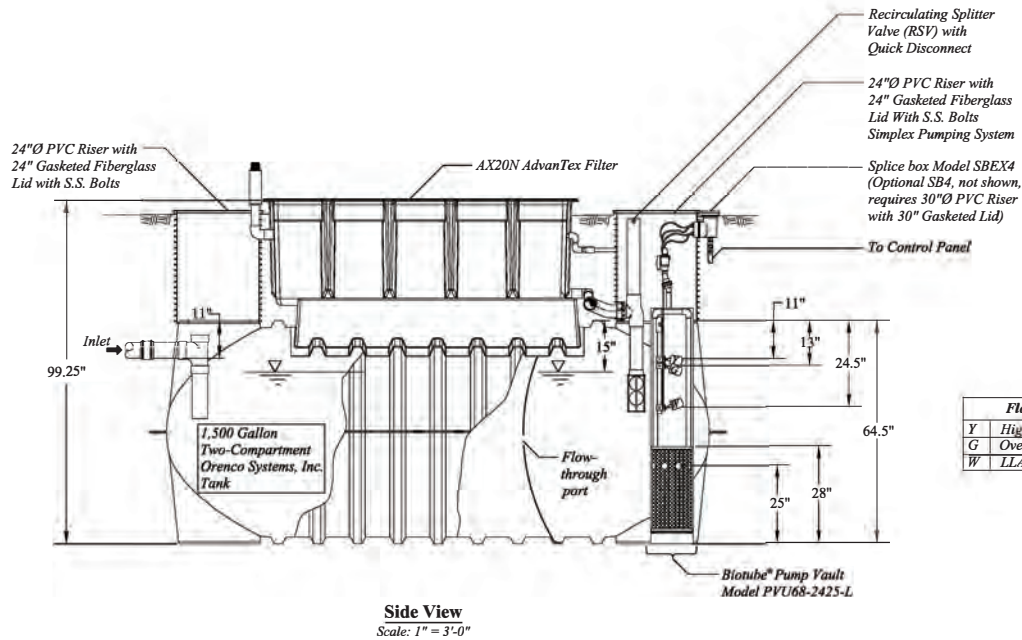
Approved by DEQ
9/14/2007

Design Notes

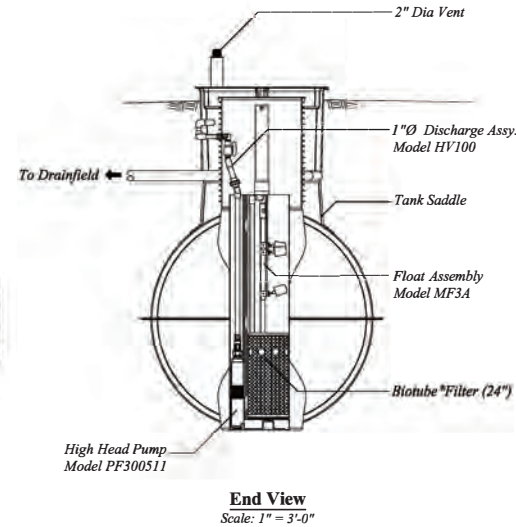
Expected Flows
• Q_{Peak} = 500 gpd
Up To 4 Bedrooms

Expected Influent Quality
Grease & Oil: 20 mg/L
BOD: 150 mg/L
TSS: 40 mg/L
TKN: 65 mg/L

Typical Effluent Quality
BOD: < 10 mg/L
TSS: < 10 mg/L
TN: < 25 mg/L



Side View
Scale: 1" = 3'-0"



End View
Scale: 1" = 3'-0"

Float Functions	
Y	High Level Alarm
G	Override Timer ON/OFF
W	LLA/RO

Title: AdvanTex® AX20N Mode 1A

Drawing No. NDW-ATX-OR-3

Date: 8/21/07 Scale: 1" = 3'-0"

Drawn By: CHRIS JORDAN

Drawing: OF

Revision: A-04

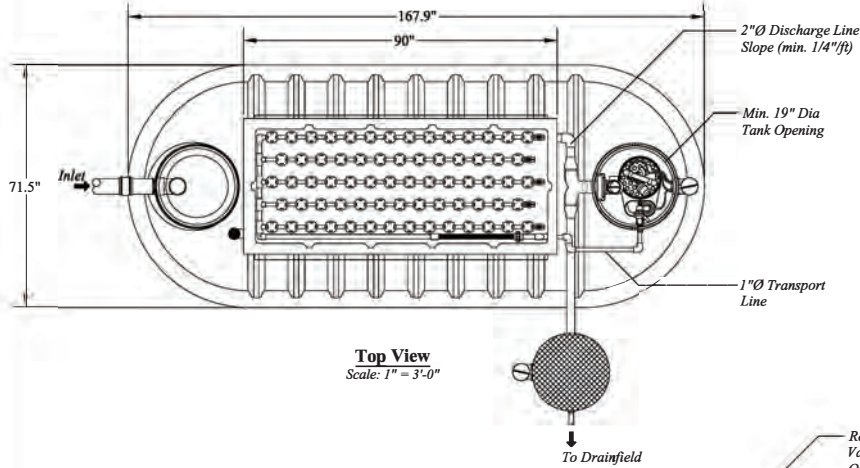
Designed By: ENGINEERING

Approved By: DARREN SIMME

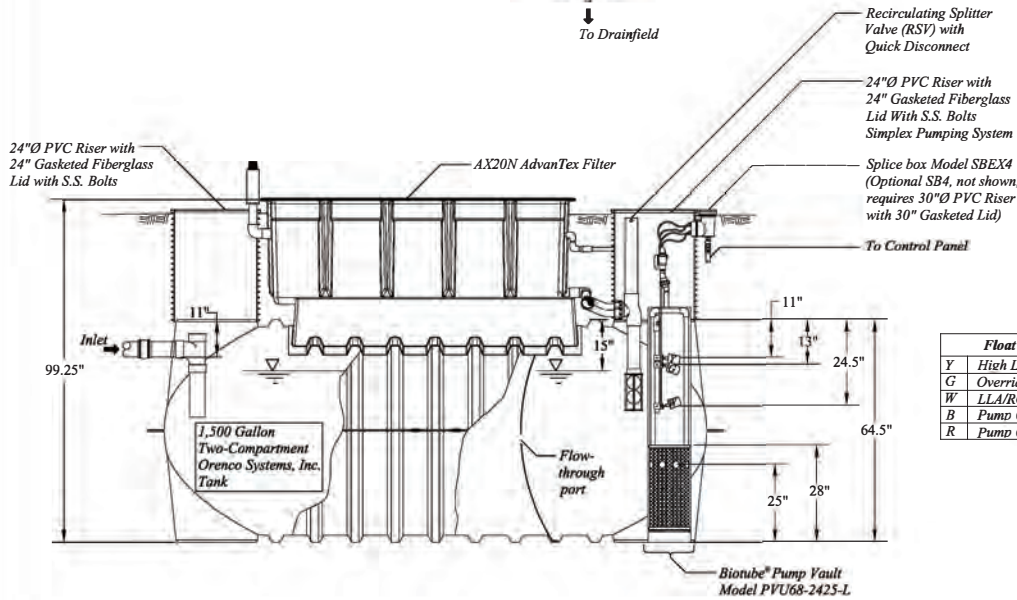
Date Approved: 8/22/07

U.S. Patents-4,439,323
5,492,635; 6,372,137; 5,360,556
5,980,748; 5,531,894; 5,480,561
D461,970; D446,476
Other Patents Pending
© 2005 Orencia Systems®, Inc

AdvanTex® AX20N Mode 1B w/Fiberglass Tank w/Saddle



Top View
Scale: 1" = 3'-0"



Side View
Scale: 1" = 3'-0"

Float Functions	
Y	High Level Alarm
G	Override Timer ON/OFF
W	LLA/RO
B	Pump On
R	Pump Off

Approved by DEQ
9/14/2007

Design Notes

Expected Flows
 • Q_{Peak} = 500 gpd
 Up To 4 Bedrooms

Expected Influent Quality
 Grease & Oil: 20 mg/L
 BOD: 150 mg/L
 TSS: 40 mg/L
 TKN: 65 mg/L

Typical Effluent Quality
 BOD: < 10 mg/L
 TSS: < 10 mg/L
 TN: < 25 mg/L



Title: AdvanTex® AX20N Mode 1B

Drawing No. NDW-ATX-OR-4

Date: 8/22/07 Scale: 1" = 3'-0"

Drawn By: CHRIS JORDAN

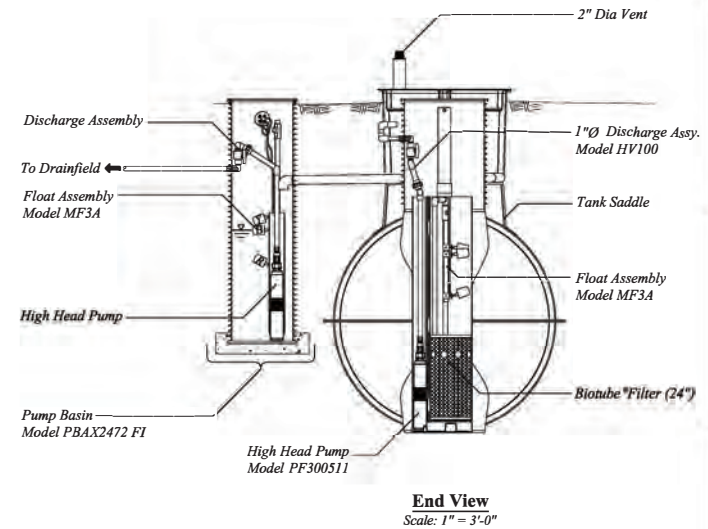
Drawing: 1 OF 1

Revision: A-04

Designed By: ENGINEERING

Approved By: DARREN SIMME

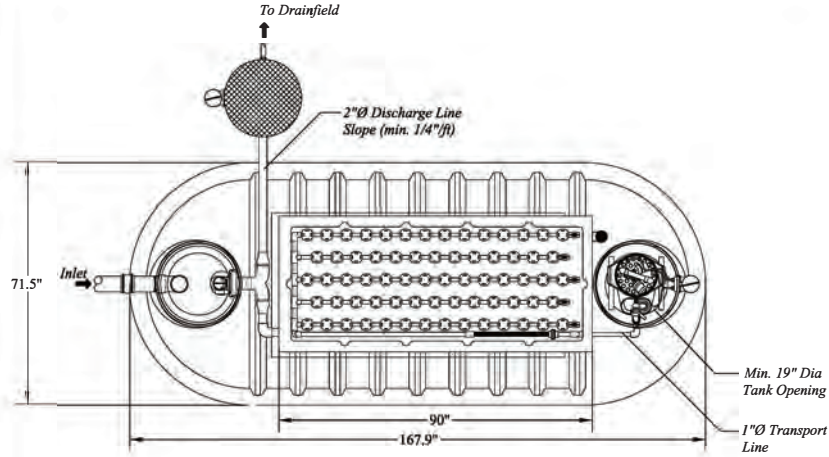
Date Approved: 8/22/07



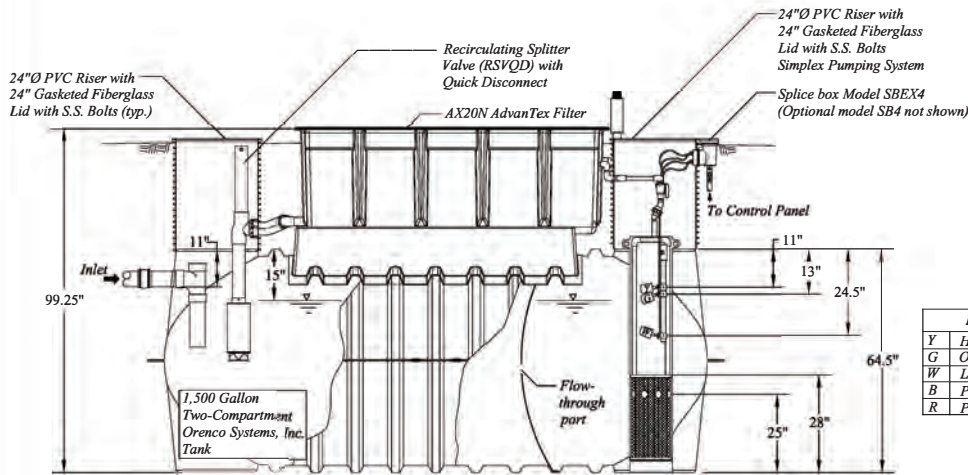
End View
Scale: 1" = 3'-0"

U.S. Patents: 4,439,323
 5,492,635; 6,372,137; 5,360,556
 5,980,748; 5,531,894; 5,480,561
 D461,870; D445,476
 Other Patents Pending
 © 2005 Orenco Systems ®, Inc

AdvanTex® AX20N Mode 3B w/Fiberglass Tank w/Saddle



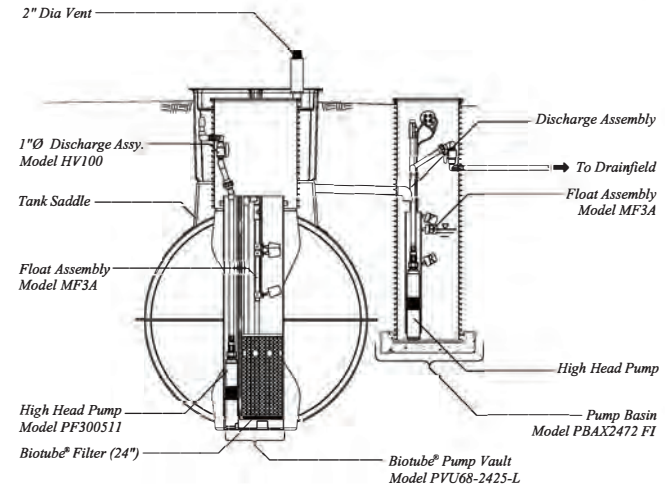
Top View
Scale: 1" = 3'-0"



Side View
Scale: 1" = 3'-0"

Float Functions	
Y	High Level Alarm
G	Override Timer ON/OFF
W	LLARO
B	Pump On
R	Pump Off

Approved by DEQ
9/14/2007



End View
Scale: 1" = 3'-0"

Design Notes

Expected Flows
 • Q_{Peak} = 500 gpd
 Up To 4 Bedrooms

Expected Influent Quality
 Grease & Oil: 20 mg/L
 BOD: 150 mg/L
 TSS: 40 mg/L
 TKN: 65 mg/L

Typical Effluent Quality
 BOD: < 10 mg/L
 TSS: < 10 mg/L
 TN: < 25 mg/L



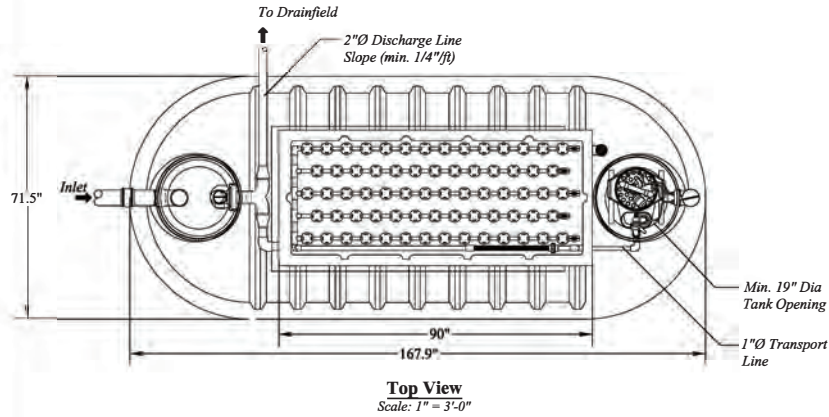
Title: AdvanTex® AX20N Mode 3B
 Drawing No. NDW-ATX-0R-5
 Date: 8/22/07
 Scale: 1" = 3'-0"

Drawn By: CHRIS JORDAN
 Drawing: / OF /
 Revision: A-04

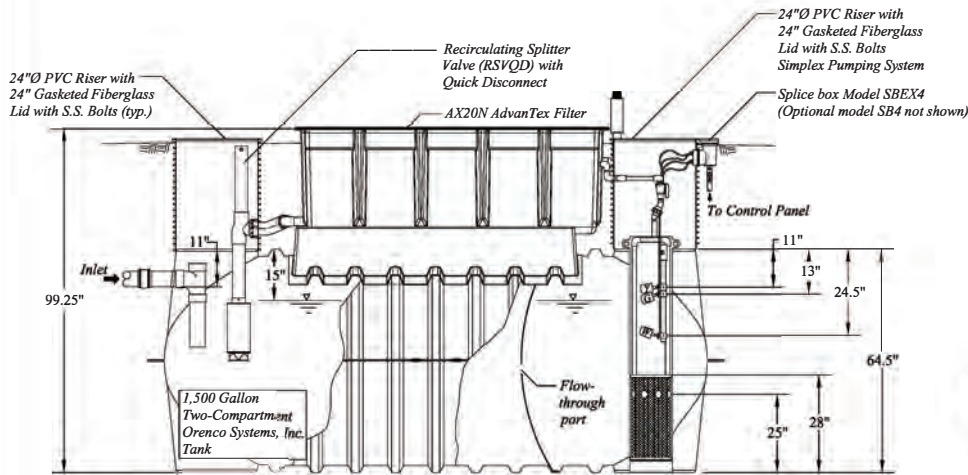
Designed By: ENGINEERING
 Approved By: DARREN SIMME
 Date Approved: 8/22/07

U.S. Patents: 4,439,323
 5,492,635; 6,372,137; 5,360,566
 5,980,748; 5,631,894; 5,480,561
 D461,870; D445,476
 Other Patents Pending
 © 2005 Orencia Systems ®, Inc

AdvanTex® AX20N Mode 3A w/Fiberglass Tank w/Saddle



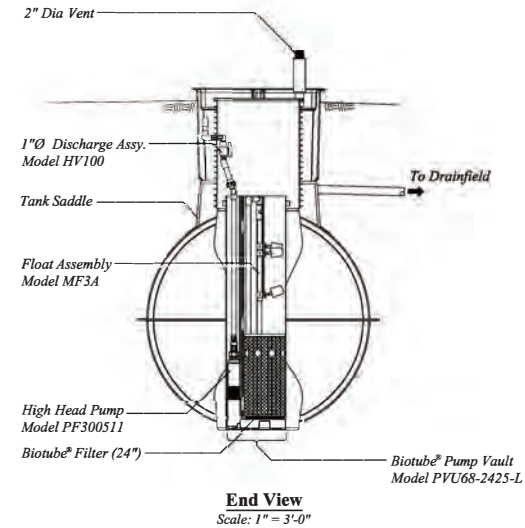
Top View
Scale: 1" = 3'-0"



Side View
Scale: 1" = 3'-0"

Float Functions	
Y	High Level Alarm
G	Override Timer ON/OFF
W	LLA/RO

Approved by DEQ
9/14/2007



End View
Scale: 1" = 3'-0"

Design Notes

Expected Flows
 • Q_{Peak} = 500 gpd
 Up To 4 Bedrooms

Expected Influent Quality
 Grease & Oil: 20 mg/L
 BOD: 150 mg/L
 TSS: 40 mg/L
 TKN: 65 mg/L

Typical Effluent Quality
 BOD: < 10 mg/L
 TSS: < 10 mg/L
 TN: < 25 mg/L



Title: AdvanTex® AX20N Mode 3A

Drawing No. NDW-ATX-OR-6

Date: 8/22/07 Scale: 1" = 3'-0"

Drawn By: CHRIS JORDAN

Drawing: 1 OF 1

Revision: A-04

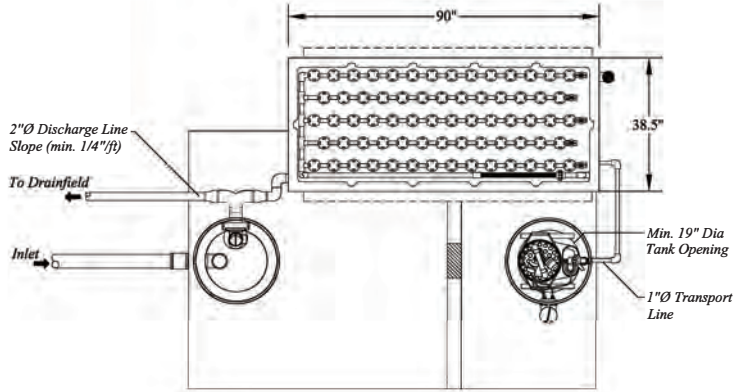
Designed By: ENGINEERING

Approved By: DARREN SIMME

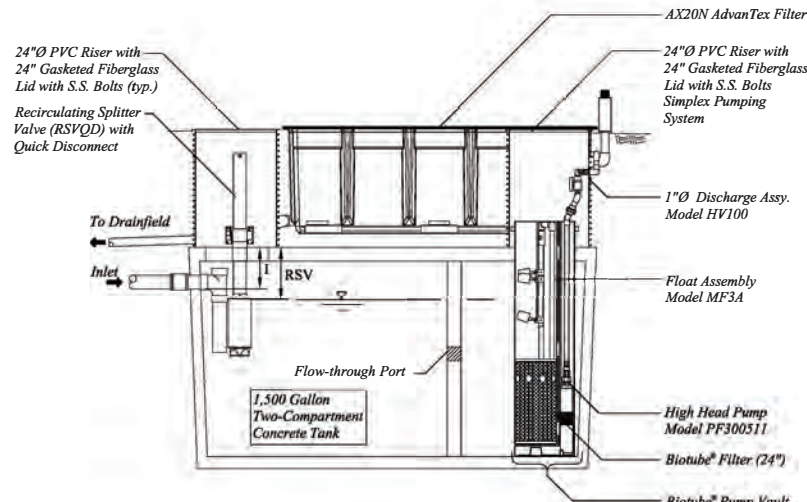
Date Approved: 8/22/07

U.S. Patents: 4,439,323
 5,492,635; 6,372,137; 5,360,556
 5,980,748; 5,531,894; 5,480,561
 D461,870; D445,476
 Other Patents Pending
 © 2005 Orencia Systems ®, Inc

AdvanTex® AX20N Mode 3A w/Concrete Tank



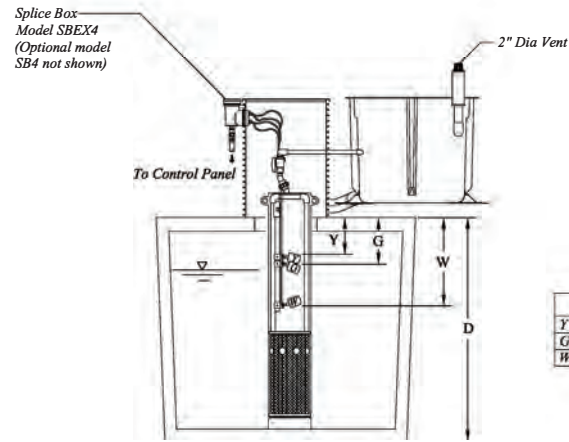
Top View
Scale: 1" = 3'-0"



Side View
Scale: 1" = 3'-0"

Approved by DEQ
9/14/2007

Tank Manufacturer	Tank Size	L	D	Y (High Level)	G (Timer Override On/Off)	W (Low Level)	RSV
Oreco FRP	1500 Gal.	11"	64.5"	11"	13"	25"	15"
Willamette Graystone	1500 Gal.	11"	64.5"	11"	13"	25"	15"
Riverside Ready Mix	1500 Gal.	11"	60.5"	11"	13"	25"	15"
Waite Concrete Prod.	1500 Gal.	10"	64"	10"	12"	24"	14"
Advanced PreCast	1500 Gal.	10"	68"	10"	12"	24"	14"
Hank's Concrete Prod.	1500 Gal.	10"	58"	10"	12"	24"	14"



End View
Scale: 1" = 3'-0"

Float Functions	
Y	High Level Alarm
G	Override Timer ON/OFF
W	LLA/RO

Design Notes

Expected Flows
 • Q_{Peak} = 500 gpd
 Up To 4 Bedrooms

Expected Influent Quality
 Grease & Oil: 20 mg/L
 BOD: 150 mg/L
 TSS: 40 mg/L
 TKN: 65 mg/L

Typical Effluent Quality
 BOD: < 10 mg/L
 TSS: < 10 mg/L
 TN: < 25 mg/L



Title: **AdvanTex® - AX20N Mode 3A**

Drawn By: **CHRIS JORDAN**

Designed By: **ENGINEERING**

U.S. Patents-4,439,323
 5,492,635-6,372,137-5,360,556
 5,960,749-5,537,894-5,480,561
 Other Patents Pending

Drawing No. **NDW-ATX-OR-7**

Drawing: **I OF I**

Approved By: **DARREN SIMHE**

© 2005 Oreco Systems®, Inc

Date: **8/21/07**

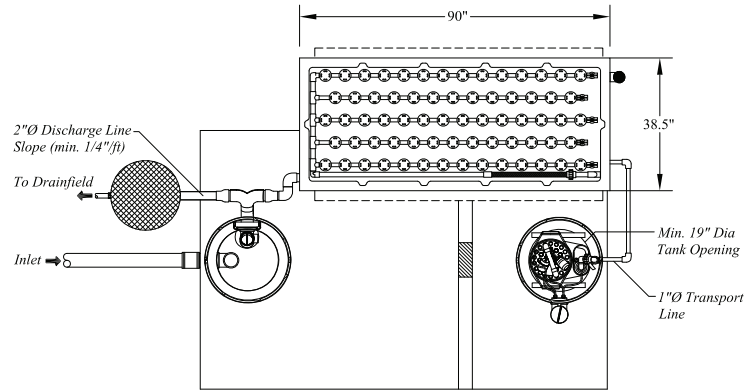
Revision: **A-04**

Date Approved: **8/22/07**

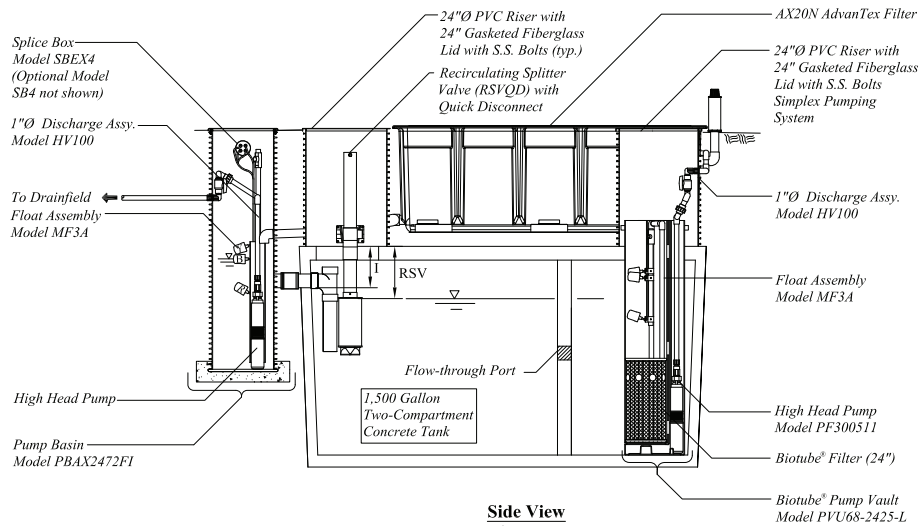
Scale: **1" = 3'-0"**

AdvanTex® AX20N Mode 3B w/Concrete Tank

Approved by DEQ
9/14/2007

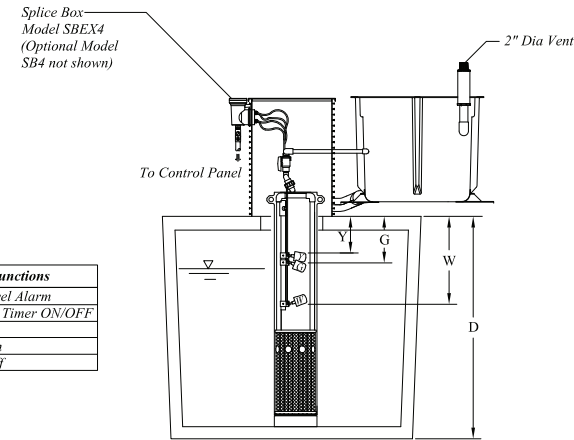


Top View
Scale: 1" = 3'-0"



Side View
Scale: 1" = 3'-0"

Tank Manufacturer	Tank Size	I	D	Y (High Level)	G (Timer Override On/Off)	W (Low Level)	RSV
Orenco FRP	1500 Gal.	11"	64.5"	11"	13"	25"	15"
Willamette Graystone	1500 Gal.	11"	64.5"	11"	13"	25"	15"
Riverside Ready Mix	1500 Gal.	11"	60.5"	11"	13"	25"	15"
Waite Concrete Prod.	1500 Gal.	10"	64"	10"	12"	24"	14"
Advanced PreCast	1500 Gal.	10"	68"	10"	12"	24"	14"
Hank's Concrete Prod.	1500 Gal.	10"	58"	10"	12"	24"	14"



End View
Scale: 1" = 3'-0"

Float Functions	
Y	High Level Alarm
G	Override Timer ON/OFF
W	LLA/RO
B	Pump On
R	Pump Off

Design Notes

Expected Flows
 • Q_{Peak} = 500 gpd
 Up To 4 Bedrooms

Expected Influent Quality
 Grease & Oil: 20 mg/L
 BOD: 150 mg/L
 TSS: 40 mg/L
 TKN: 65 mg/L

Typical Effluent Quality
 BOD: < 10 mg/L
 TSS: < 10 mg/L
 TN: < 25 mg/L



Title: AdvanTex® - AX20N Mode 3B

Drawing No. NDW-ATX-OR-8

Date: 8/21/07 Scale: 1" = 3'-0"

Drawn By: CHRIS JORDAN

Drawing: 1 OF 1

Revision: A-04

Designed By: ENGINEERING

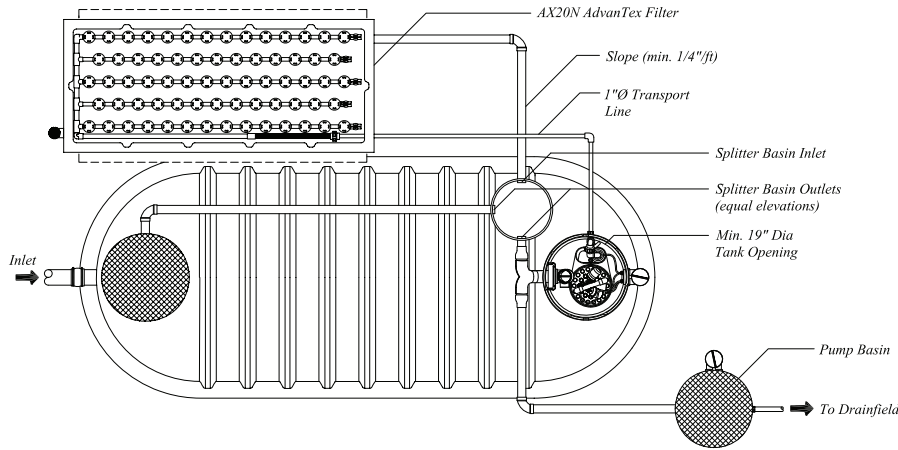
Approved By: DARREN SIMME

Date Approved: 8/22/07

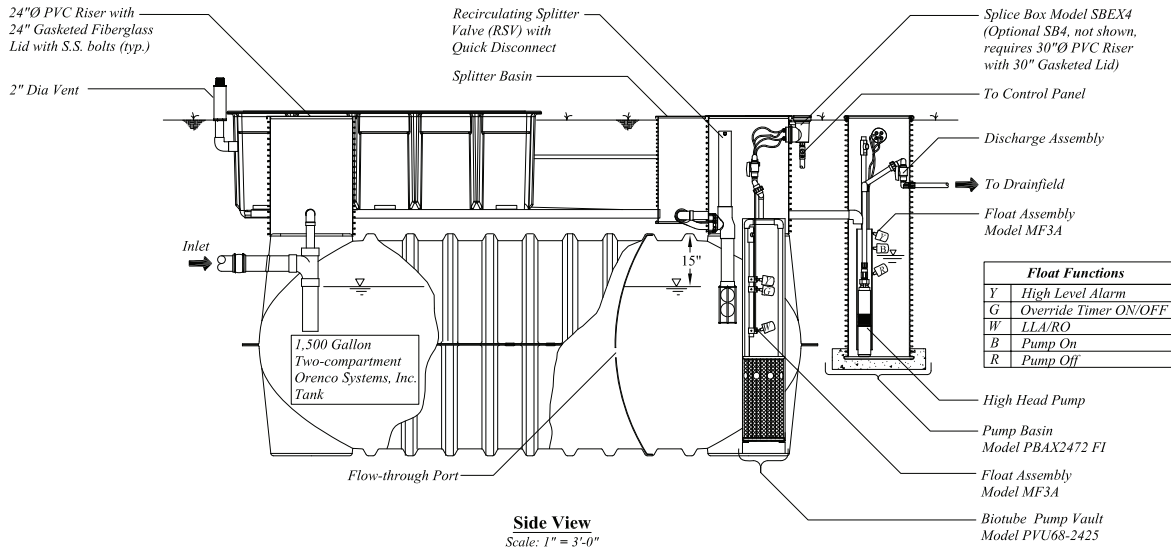
U.S. Patents-4,439,323
 5,492,635-6,372,137-5,360,556
 5,990,748-5,531,894- 5,480,561
 Other Patents Pending
 © 2005 Orenco Systems®, Inc

AdvanTex® AX20N Combo Mode w/Fiberglass Tank

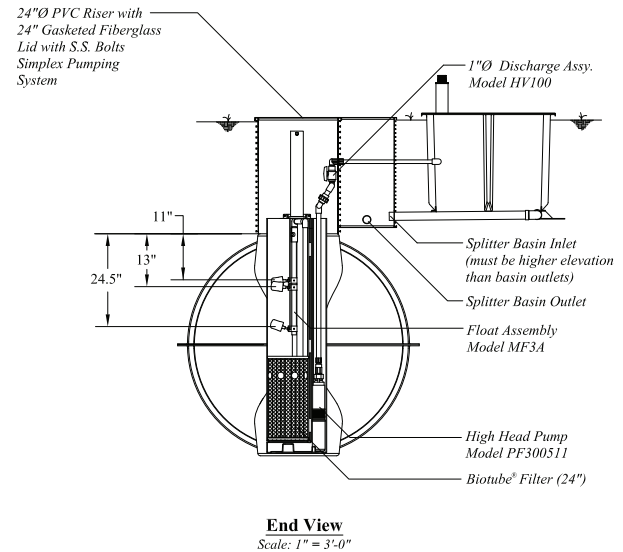
Approved by DEQ
9/14/2007



Top View
Scale: 1" = 3'-0"



Side View
Scale: 1" = 3'-0"



End View
Scale: 1" = 3'-0"



Orenco Systems®
Incorporated

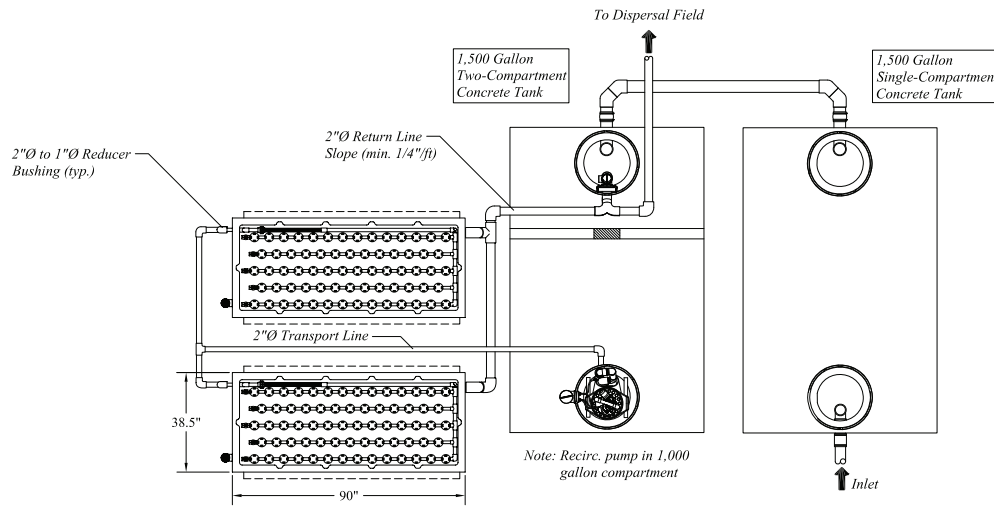
Title:	AdvanTex® AX20N Combo Mode		
Drawn By:	CHRIS JORDAN	Drawing No. NDW-ATX-OR-9	Date: 8/21/07
Designed By:	ENGINEERING	Drawing: 1 OF 1	Scale: 1" = 2'-0"
Approved By:	DARREN SIMME	Revision: A-04	Date Approved: 8/22/07
U.S. Patents 4,439,323 5,492,636; 6,372,137; 5,360,556 5,980,748; 5,531,894; 5,480,561 D461,870; D445,476 Other Patents Pending © 2005 Orenco Systems®, Inc			

AdvanTex® AX20N 2 Pod Mode 1A w/Concrete Tank

Approved by DEQ
9/14/2007

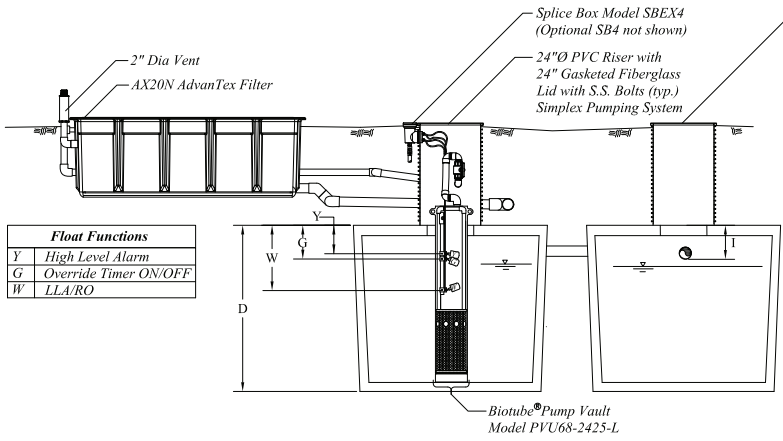
Design Notes

- Expected Flows
 • Q_{Peak} = 1000 gpd
 Up To 6 Bedrooms
- Expected Influent Quality
 Grease & Oil: 20 mg/L
 BOD: 150 mg/L
 TSS: 40 mg/L
 TKN: 65 mg/L
- Typical Effluent Quality
 BOD: < 10 mg/L
 TSS: < 10 mg/L
 TN: < 25 mg/L

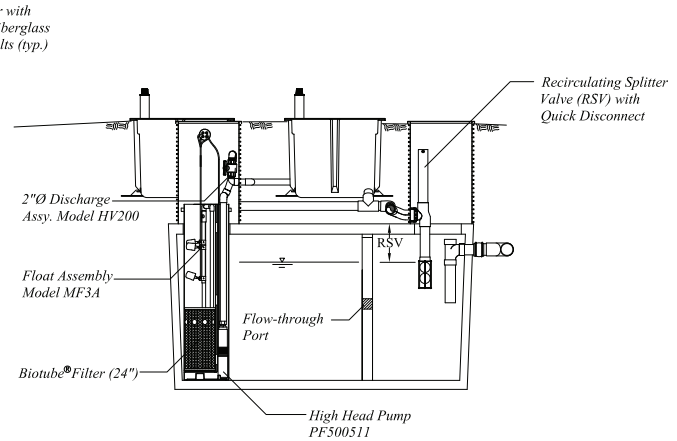


Top View
Scale: 1" = 4'-0"

Tank Manufacturer	Tank Size	I	D	Y (High Level)	G (Timer Override On/Off)	W (Low Level)	RSV
Willamette Graystone	1500 Gal.	11"	64.5"	11"	13"	25"	15"
Riverside Ready Mix	1500 Gal.	11"	60.5"	11"	13"	25"	15"
Waite Concrete Prod.	1500 Gal.	10"	64"	10"	12"	24"	14"
Advanced PreCast	1500 Gal.	10"	68"	10"	12"	24"	14"
Hank's Concrete Prod.	1500 Gal.	10"	58"	10"	12"	24"	14"



End View
Scale: 1" = 4'-0"



Side View
Scale: 1" = 4'-0"

Float Functions	
Y	High Level Alarm
G	Override Timer ON/OFF
W	LLARO

Title: AdvanTex® AX20N 2 Pod Mode 1A

Drawn By: CHRIS JORDAN

Engineering: ENGINEERING

Drawing No. NDW-ATX-OR-10

Drawing: 1 OF 1

Approved By: DARREN SIMMIE

Date: 8/21/07

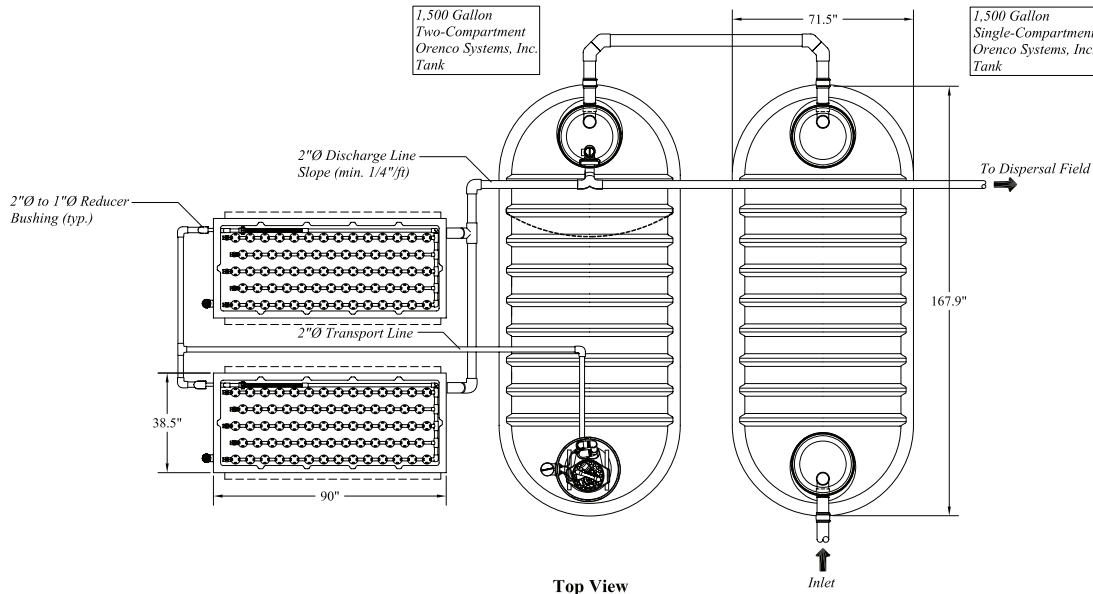
Date Approved: 8/22/07

Scale: 1" = 4'-0"

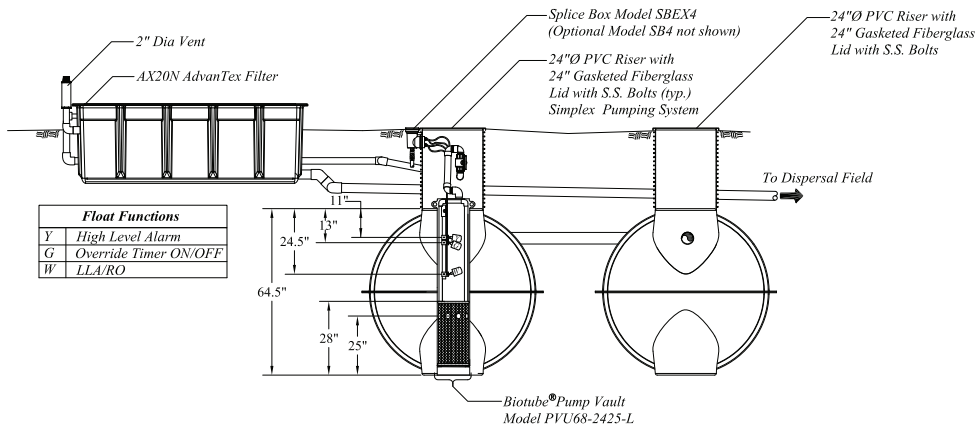
Revision: A-04

U.S. Patents-4,439,323
 5,492,635-6,372,137-3,360,566
 5,980,748-5,631,894- 5,480,561
 Other Patents Pending
 © 2005 Orencia Systems®, Inc

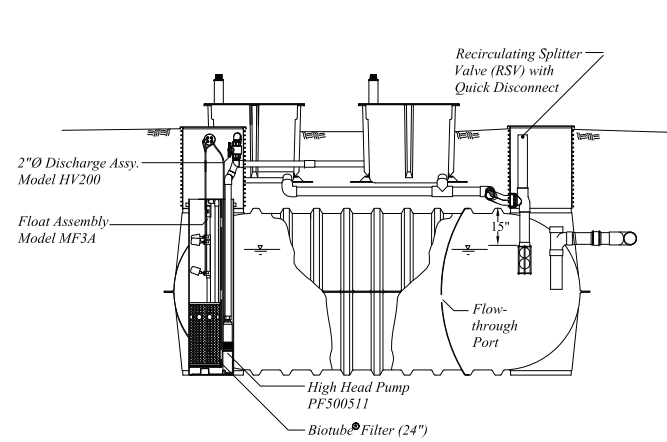
AdvanTex® AX20N 2 Pod Mode 1A w/Fiberglass Tank



Top View
Scale: 1" = 4'-0"



End View
Scale: 1" = 4'-0"



Side View
Scale: 1" = 4'-0"

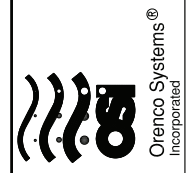
Design Notes

Expected Flows
 • $Q_{Peak} = 1000$ gpd
 Up To 6 Bedrooms

Expected Influent Quality
 Grease & Oil: 20 mg/L
 BOD: 150 mg/L
 TSS: 40 mg/L
 TKN: 65 mg/L

Typical Effluent Quality
 BOD: < 10 mg/L
 TSS: < 10 mg/L
 TN: < 25 mg/L

Approved by DEQ
9/14/2007



Title: AdvanTex® AX20N 2 Pod Mode 1A		Scale: 1" = 4'-0"	
Drawn By: CHRIS JORDAN	Drawing No. NDW-ATX-OR-11	Date: 8/21/07	
Designed By: ENGINEERING	Drawing: 1 OF 1	Revision: A-04	
Approved By: DARREN SWINIE	Date Approved: 8/22/07		
U.S. Patents 4,439,323 5,492,635; 6,372,137; 5,360,656 5,980,748; 5,531,894; 5,480,561 D461,870; D445,476 Other Patents Pending © 2005 Orencia Systems®, Inc.			

AdvanTex® AX20N 2 Pod Mode 1B w/Concrete Tank

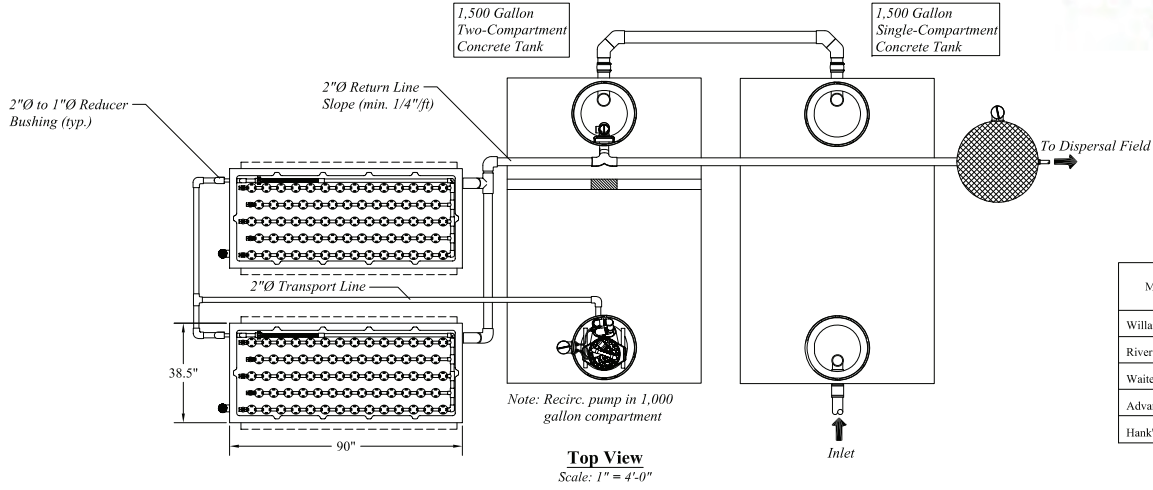
Approved by DEQ
9/14/2007

Design Notes

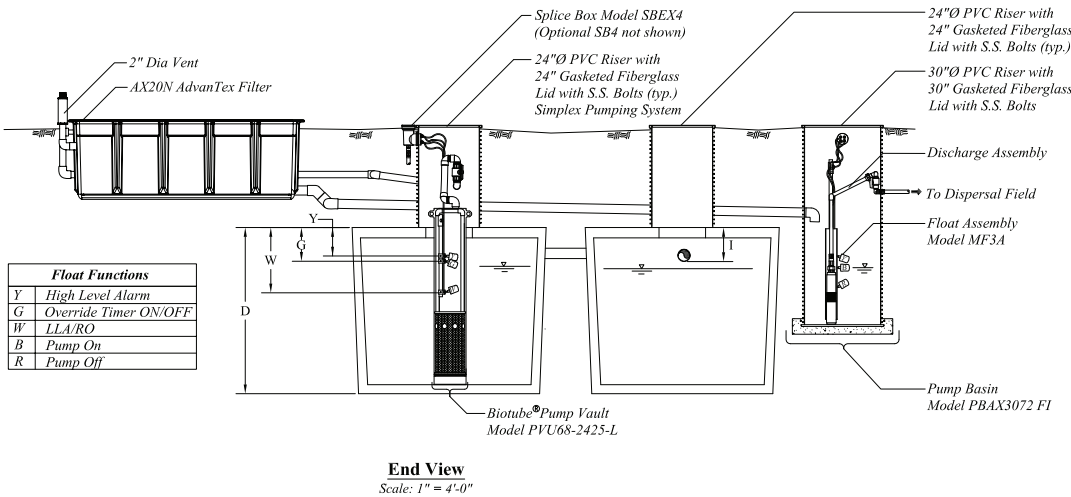
- Expected Flows
 • Q_{Peak} = 1000 gpd
 Up To 6 Bedrooms
- Expected Influent Quality
 Grease & Oil: 20 mg/L
 BOD: 150 mg/L
 TSS: 40 mg/L
 TKN: 65 mg/L
- Typical Effluent Quality
 BOD: < 10 mg/L
 TSS: < 10 mg/L
 TN: < 25 mg/L



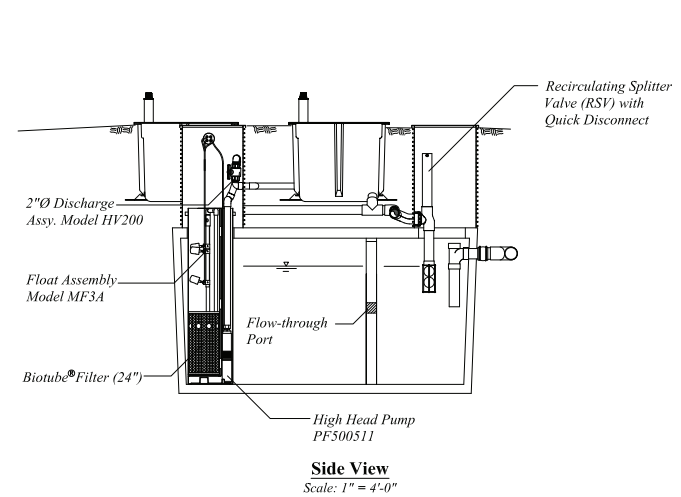
Orencia Systems®
Incorporated



Tank Manufacturer	Tank Size	I	D	Y (High Level)	G (Timer Override On/Off)	W (Low Level)	RSV
Willamette Graystone	1500 Gal.	11"	64.5"	11"	13"	25"	15"
Riverside Ready Mix	1500 Gal.	11"	60.5"	11"	13"	25"	15"
Waite Concrete Prod.	1500 Gal.	10"	64"	10"	12"	24"	14"
Advanced PreCast	1500 Gal.	10"	68"	10"	12"	24"	14"
Hank's Concrete Prod.	1500 Gal.	10"	58"	10"	12"	24"	14"



Float Functions	
Y	High Level Alarm
G	Override Timer ON/OFF
W	LLA/RO
B	Pump On
R	Pump Off



Title: AdvanTex® AX20N 2 Pod Mode 1B

Drawn By: CHRIS JORDAN

Designed By: ENGINEERING

U.S. Patents-4,439,323
5,492,635-5,372,137-5,360,566
5,990,748-5,631,894- 5,480,561
Other Patents Pending
© 2005 Orencia Systems®, Inc

Drawing No. NDW-ATX-OR-12

Drawing: 1 OF 1

Approved By: DARREN SIMMIE

U.S. Patents-4,439,323
5,492,635-5,372,137-5,360,566
5,990,748-5,631,894- 5,480,561
Other Patents Pending
© 2005 Orencia Systems®, Inc

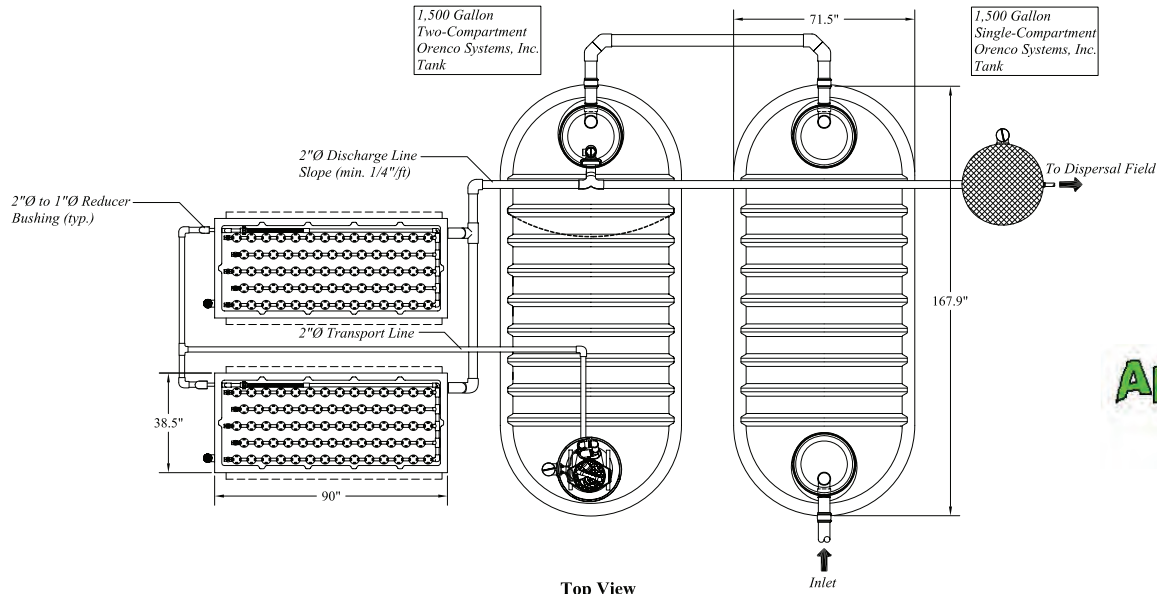
Date: 8/21/07

Revision: A-04

Date Approved: 8/22/07

U.S. Patents-4,439,323
5,492,635-5,372,137-5,360,566
5,990,748-5,631,894- 5,480,561
Other Patents Pending
© 2005 Orencia Systems®, Inc

AdvanTex® AX20N 2 Pod Mode 1B w/Fiberglass Tank

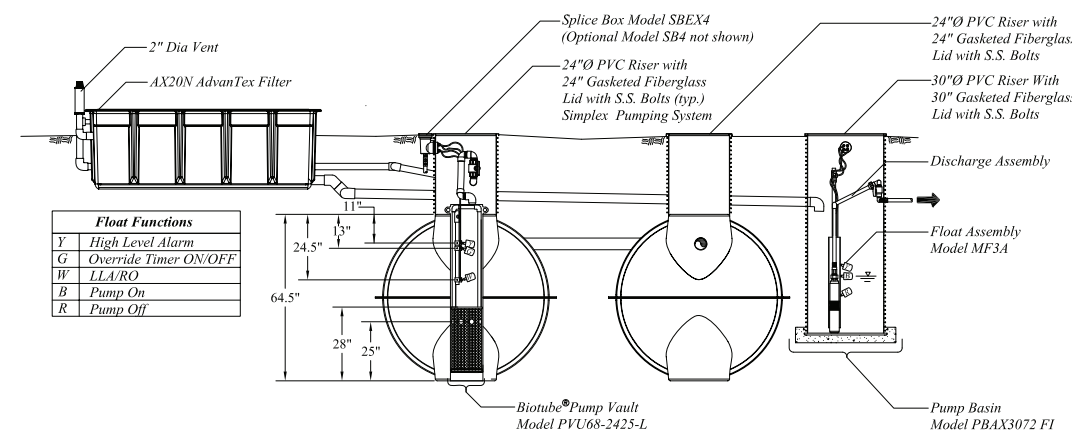
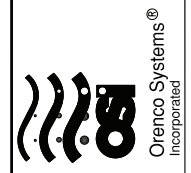


Top View
Scale: 1" = 4'-0"

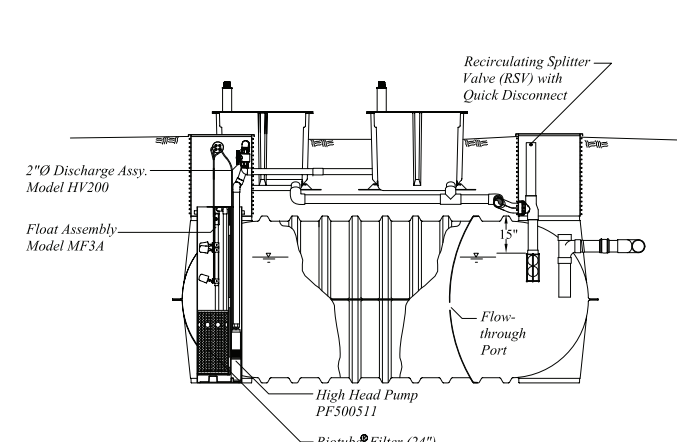
Approved by DEQ
9/14/2007

Design Notes

- Expected Flows
 • $Q_{Peak} = 1000$ gpd
 Up To 6 Bedrooms
- Expected Influent Quality
 Grease & Oil: 20 mg/L
 BOD: 150 mg/L
 TSS: 40 mg/L
 TKN: 65 mg/L
- Typical Effluent Quality
 BOD: < 10 mg/L
 TSS: < 10 mg/L
 TN: < 25 mg/L



End View
Scale: 1" = 4'-0"



Side View
Scale: 1" = 4'-0"

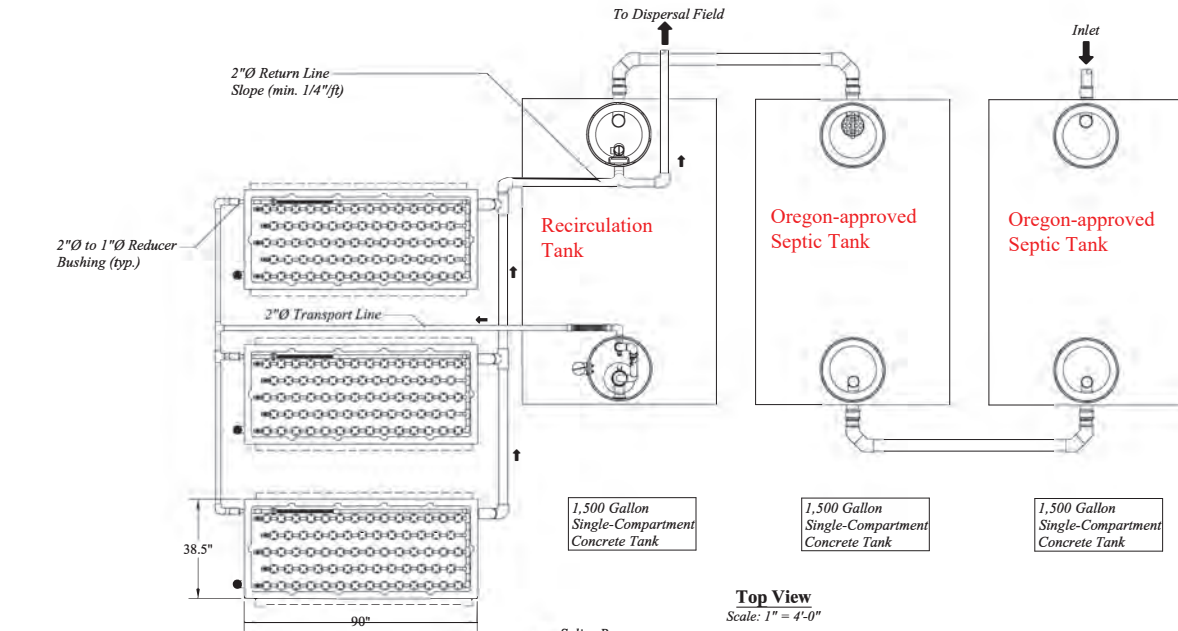
Float Functions	
Y	High Level Alarm
G	Override Timer ON/OFF
W	LLA/RO
B	Pump On
R	Pump Off

Title:	AdvanTex® AX20N 2 Pod Mode 1B	
	Drawing No. NDW-ATX-OR-13	Scale: 1" = 4'-0"
Drawn By:	CHRIS JORDAN	Date: 8/21/07
Designed By:	ENGINEERING	Revision: A-04
Approved By:	DARREN SWINIE	Date Approved: 8/22/07
U.S. Patents-4,439,323 5,492,635; 6,372,137; 5,360,556 5,980,748; 5,531,894; 5,480,561 D461,870; D445,476 Other Patents Pending © 2005 Orenco Systems®, Inc.		

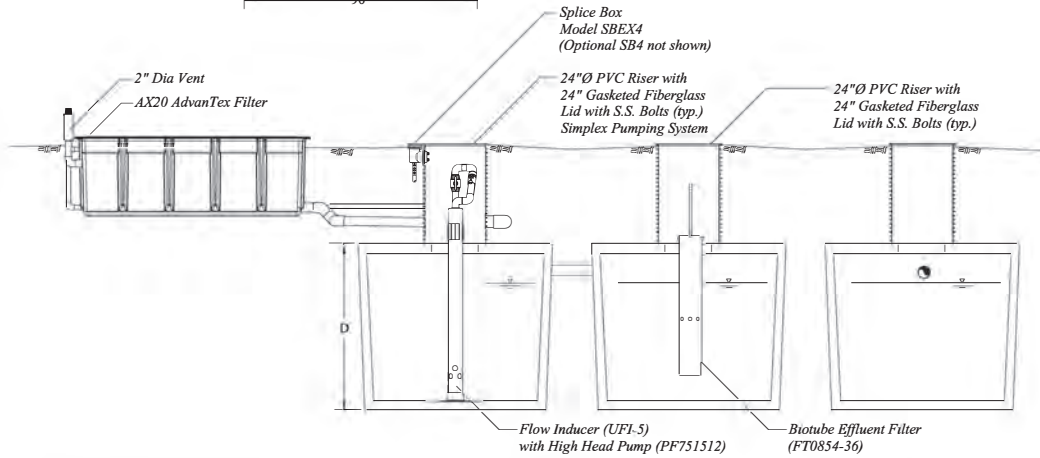
AdvanTex® AX20-3 Mode 1 - Treatment Standard 1

Design and Installation Notes

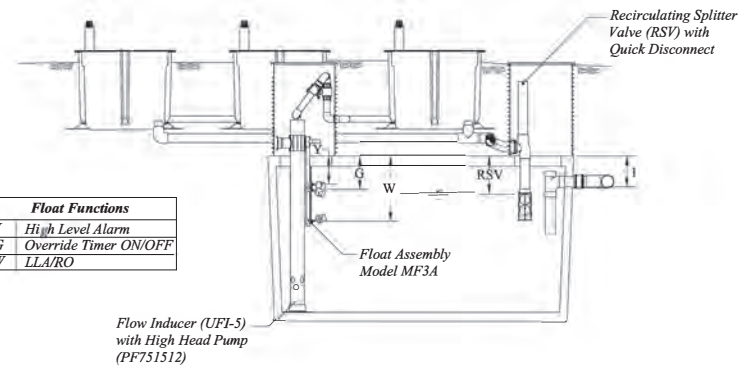
- Q peak = 1,500 gpd
- Installation To Be Performed By An AdvanTex Trained Installer Only
- Start-up And Service To Be Performed By An AdvanTex Trained Service Provider



Top View
Scale: 1" = 4'-0"



End View
Scale: 1" = 4'-0"



Side View
Scale: 1" = 4'-0"

Float Functions	
Y	High Level Alarm
G	Override Timer ON/OFF
W	LLA/RO

APPROVED
By Randy Trox, REHS at 10:26 am, Jul 26, 2022

UNAUTHORIZED CHANGES & USES
Orenco has prepared these drawings for use by the design engineer. Orenco will not be responsible or liable for unauthorized changes to or uses of these drawings. All changes to these drawings must be made in writing and must be approved by the design engineer.

PRODUCT CONFIGURATION DRAWINGS



Drawn By: BEN SMITH
Drawn For:

Project: AX20-3 Mode 1
Treatment Standard 1
Title: NDW-ATX-OR-REG-9

Scale: 1" = 4'-0"
Sheet: 1 OF 1
Rev: 1.0
Date: 7/02/2015

Copyright © 2015
Orenco Systems®, Inc.

AdvanTex® AX20N 3 Pod Mode 1A w/Concrete Tank

Approved by DEQ
9/14/2007

Design Notes

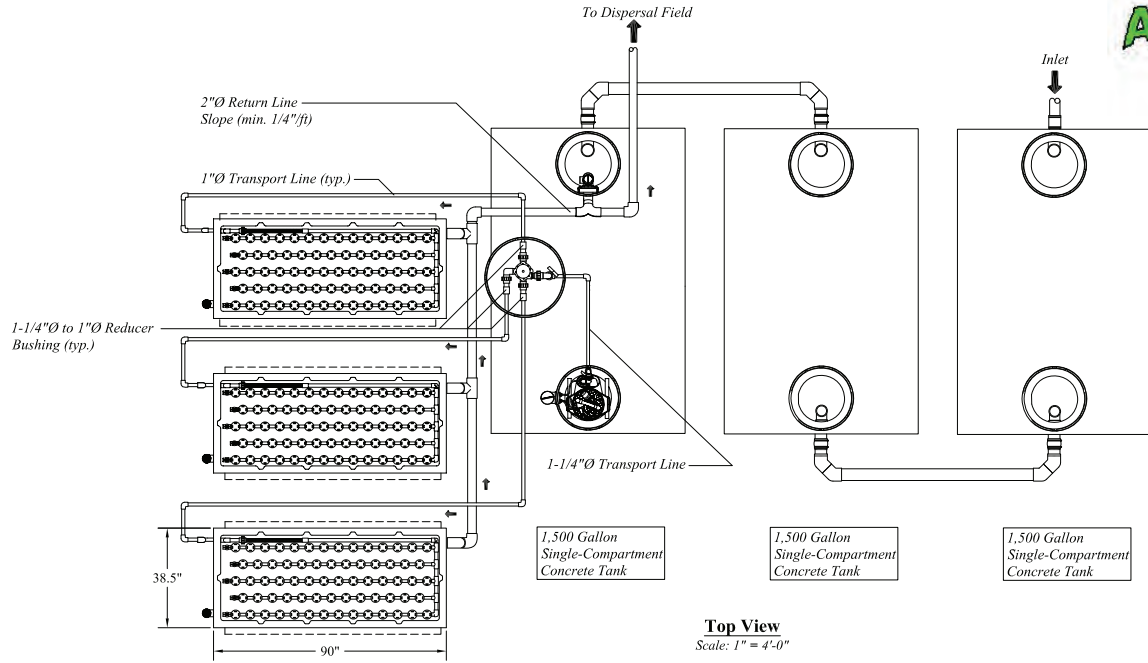
Expected Flows
 • $Q_{Peak} = 1500$ gpd
 Up To 9 Bedrooms

Expected Influent Quality
 Grease & Oil: 20 mg/L
 BOD: 150 mg/L
 TSS: 40 mg/L
 TKN: 65 mg/L

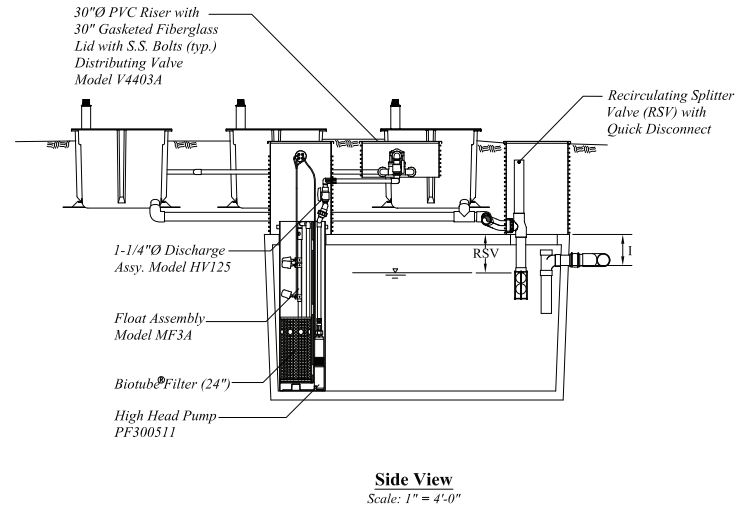
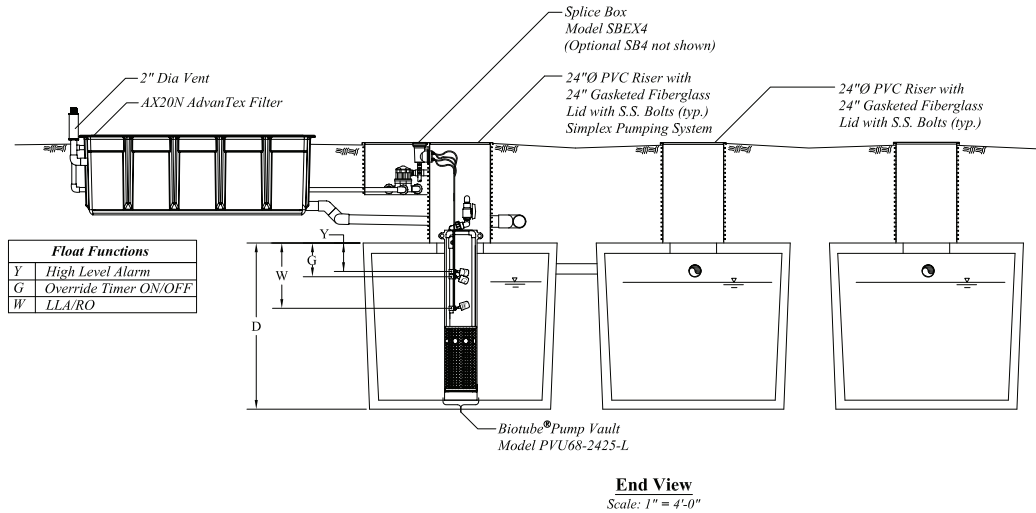
Typical Effluent Quality
 BOD: < 10 mg/L
 TSS: < 10 mg/L
 TN: < 25 mg/L



Orencia Systems®
Incorporated



Tank Manufacturer	Tank Size	I	D	Y (High Level)	G (Timer Override/On/Off)	W (Low Level)	RSV
Willamette Graystone	1500 Gal.	11"	64.5"	11"	13"	25"	15"
Riverside Ready Mix	1500 Gal.	11"	60.5"	11"	13"	25"	15"
Waite Concrete Prod.	1500 Gal.	10"	64"	10"	12"	24"	14"
Advanced PreCast	1500 Gal.	10"	68"	10"	12"	24"	14"
Hank's Concrete Prod.	1500 Gal.	10"	58"	10"	12"	24"	14"



Float Functions	
Y	High Level Alarm
G	Override Timer ON/OFF
W	LLA/RO

Title: AdvanTex® AX20N 3 Pod Mode 1A

Drawn By: CHRIS JORDAN

Designed By: ENGINEERING

U.S. Patents-4,439,323
5,492,635-6,372,137-5,360,566
5,990,748-5,631,894- 5,480,561
Other Patents Pending
© 2005 Orencia Systems®, Inc

Drawing No. NDW-ATX-OR-14

Drawing: 1 OF 1

Approved By: DARREN SIMMIE

U.S. Patents-4,439,323
5,492,635-6,372,137-5,360,566
5,990,748-5,631,894- 5,480,561
Other Patents Pending
© 2005 Orencia Systems®, Inc

Date: 8/22/07

Revision: A-04

Date Approved: 8/22/07

U.S. Patents-4,439,323
5,492,635-6,372,137-5,360,566
5,990,748-5,631,894- 5,480,561
Other Patents Pending
© 2005 Orencia Systems®, Inc

AdvanTex® AX20N 3 Pod Mode 1B w/Concrete Tank

Approved by DEQ
9/14/2007

Design Notes

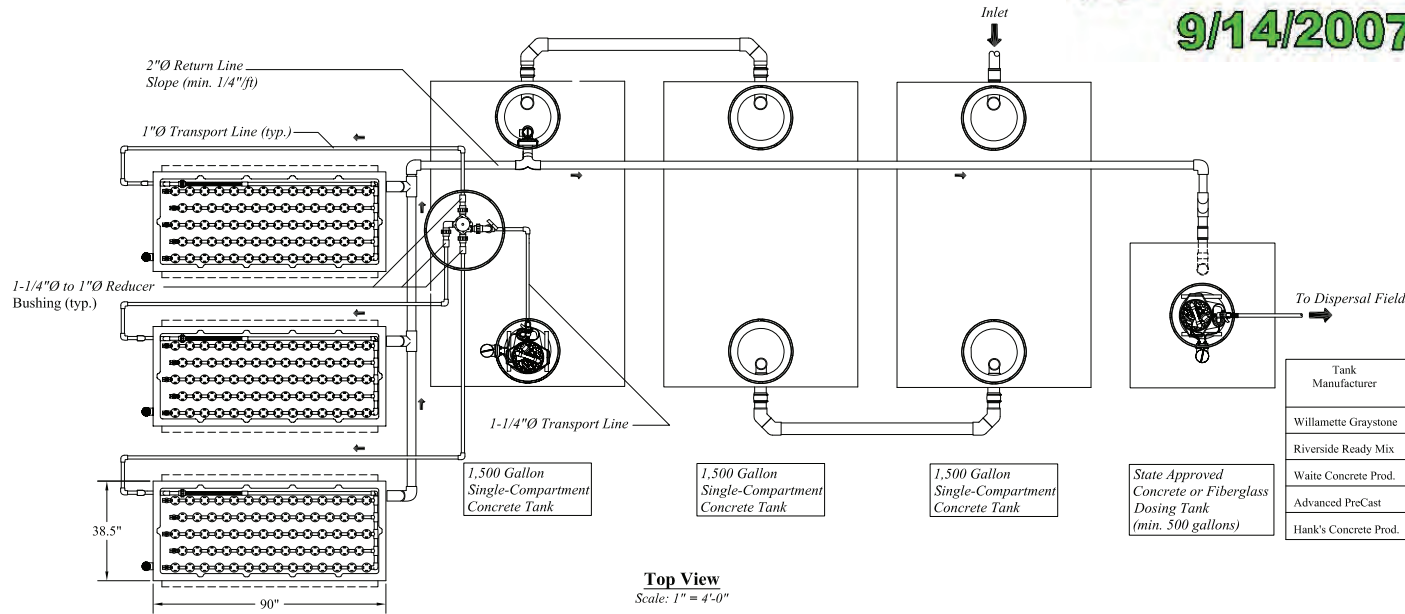
Expected Flows
 • Q_{Peak} = 1500 gpd
 Up To 9 Bedrooms

Expected Influent Quality
 Grease & Oil: 20 mg/L
 BOD: 150 mg/L
 TSS: 40 mg/L
 TKN: 65 mg/L

Typical Effluent Quality
 BOD: < 10 mg/L
 TSS: < 10 mg/L
 TN: < 25 mg/L

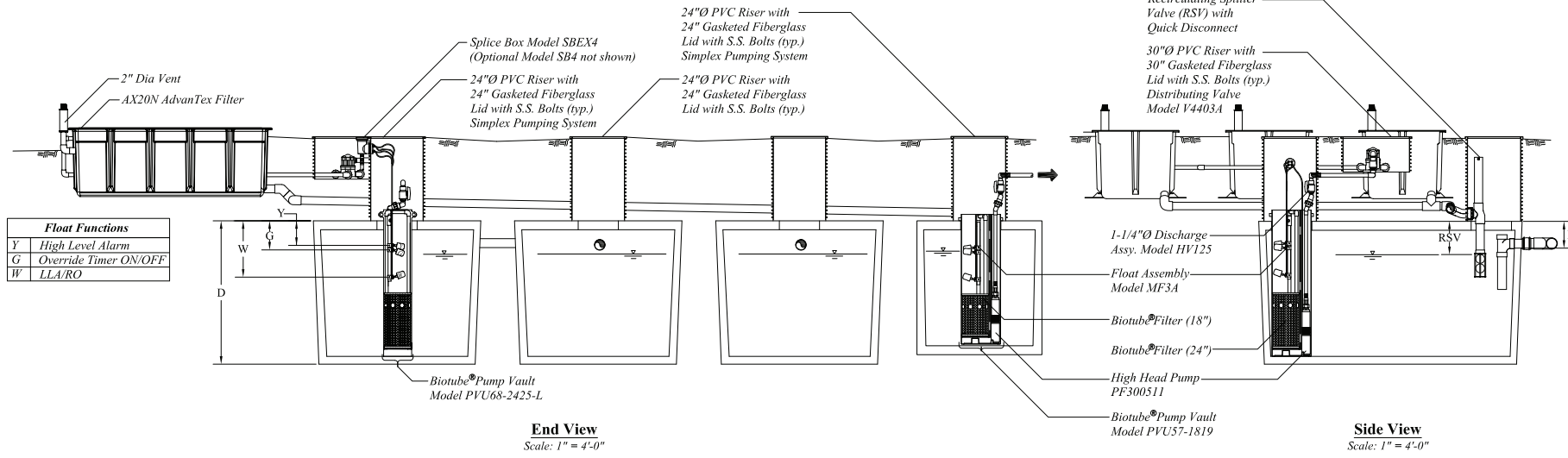


Orencia Systems®
Incorporated



Top View
Scale: 1" = 4'-0"

Tank Manufacturer	Tank Size	I	D	Y (High Level)	G (Timer Override On/Off)	W (Low Level)	RSV
Willamette Graystone	1500 Gal.	11"	64.5"	11"	13"	25"	15"
Riverside Ready Mix	1500 Gal.	11"	60.5"	11"	13"	25"	15"
Waite Concrete Prod.	1500 Gal.	10"	64"	10"	12"	24"	14"
Advanced PreCast	1500 Gal.	10"	68"	10"	12"	24"	14"
Hank's Concrete Prod.	1500 Gal.	10"	58"	10"	12"	24"	14"



End View
Scale: 1" = 4'-0"

Side View
Scale: 1" = 4'-0"

Float Functions	
Y	High Level Alarm
G	Override Timer ON/OFF
W	LL/RO

Title: AdvanTex® AX20N 3 Pod Mode 1B

Drawing No. NDW-ATX-OR-16

Date: 8/22/07 Scale: 1" = 4'-0"

Drawn By: CHRIS JORDAN

Drawing: 1 OF 1

Revision: A-04

Designed By: ENGINEERING

Approved By: DARREN SIMMIE

Date Approved: 8/22/07

U.S. Patents-4,438,323
 5,492,635-6,372,137-5,360,566
 5,980,748-5,631,894- 5,480,561
 Other Patents Pending
 © 2005 Orencia Systems®, Inc

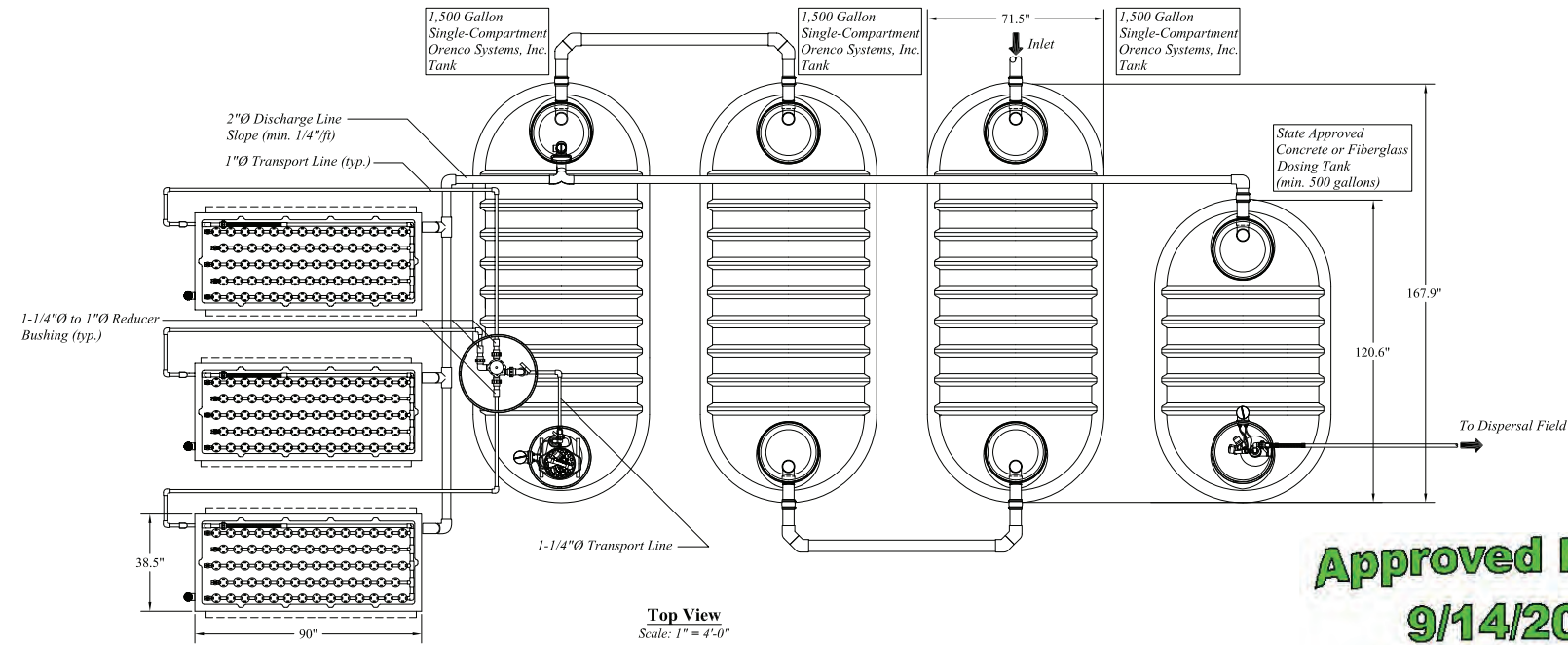
AdvanTex® AX20N 3 Pod Mode 1B w/Fiberglass Tank

Design Notes

Expected Flows
 • $Q_{Peak} = 1500$ gpd
 Up To 9 Bedrooms

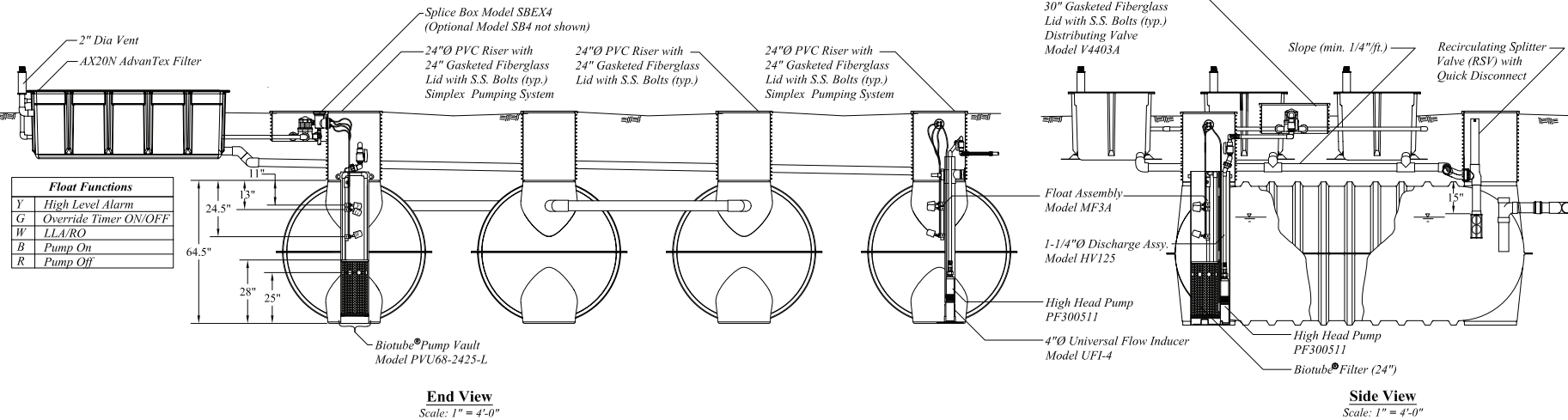
Expected Influent Quality
 Grease & Oil: 20 mg/L
 BOD: 150 mg/L
 TSS: 40 mg/L
 TKN: 65 mg/L

Typical Effluent Quality
 BOD: < 10 mg/L
 TSS: < 10 mg/L
 TN: < 25 mg/L



Top View
 Scale: 1" = 4'-0"

Approved by DEQ
9/14/2007



End View
 Scale: 1" = 4'-0"

Side View
 Scale: 1" = 4'-0"

Float Functions	
Y	High Level Alarm
G	Override Timer ON/OFF
W	LLA/RO
B	Pump On
R	Pump Off

Title: AdvanTex® AX20N 3 Pod Mode 1B
 Drawing No. NDW-ATX-OR-17
 Date: 8/21/07
 Scale: 1" = 4'-0"

Drawn By: CHRIS JORDAN
 Drawing: 1 OF 1
 Revision: A-04

Designed By: ENGINEERING
 Approved By: DARREN SWINIE
 Date Approved: 8/22/07

U.S. Patents-4,439,323
 5,492,635; 6,372,137; 5,360,556
 5,980,746; 5,531,894; 5,480,561
 D461,870; D445,476
 Other Patents Pending
 © 2005 Orengo Systems®, Inc.

AdvanTex® AX20N 2 Pod Mode 3A w/Concrete Tank

Approved by DEQ
9/14/2007

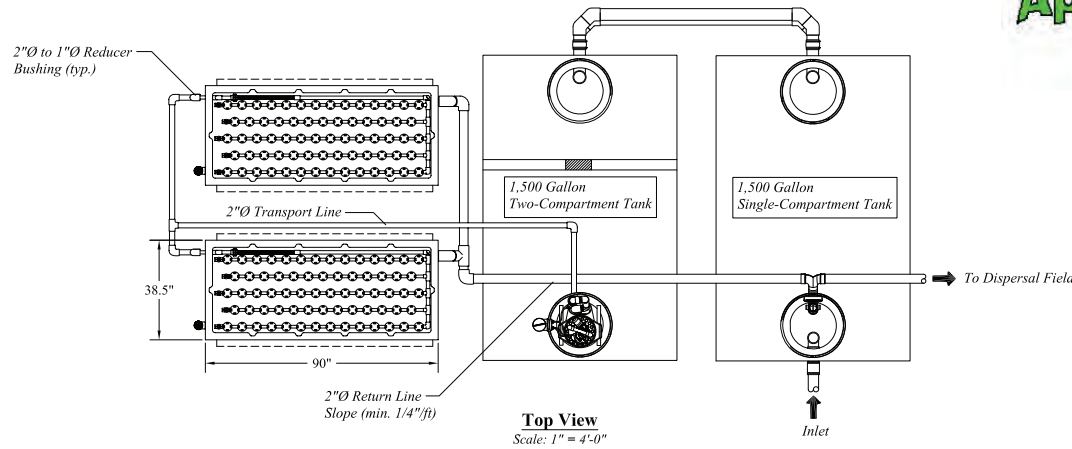
Design Notes

- Expected Flows
 • $Q_{Peak} = 1000$ gpd
 Up To 6 Bedrooms
- Expected Influent Quality
 Grease & Oil: 20 mg/L
 BOD: 150 mg/L
 TSS: 40 mg/L
 TKN: 65 mg/L

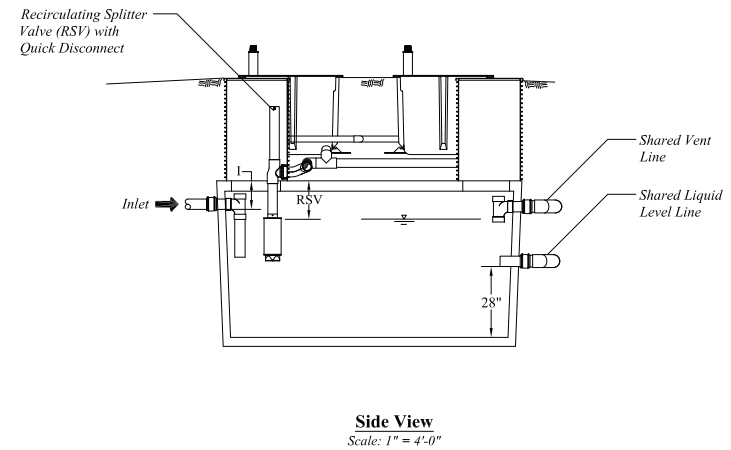
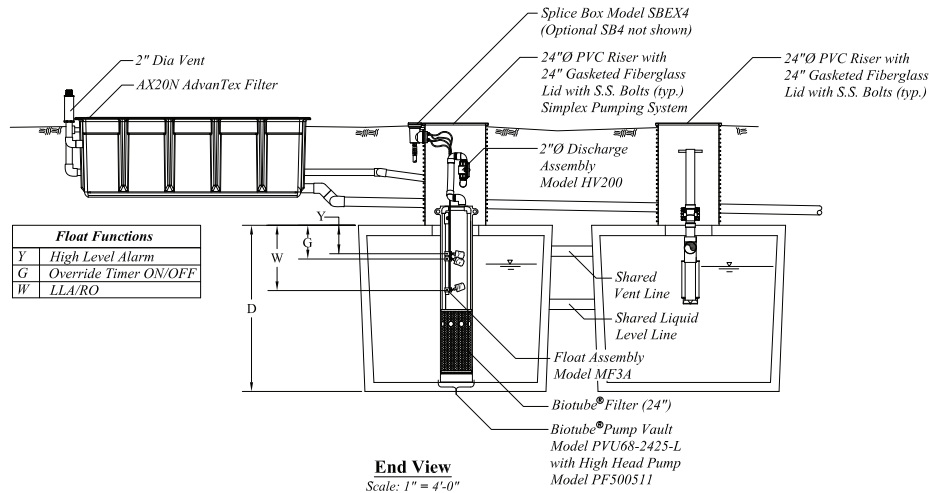
- Typical Effluent Quality
 BOD: < 10 mg/L
 TSS: < 10 mg/L
 TN: < 25 mg/L



Orengo Systems®
Incorporated



Tank Manufacturer	Tank Size	I	D	Y (High Level)	G (Timer Override/On/Off)	W (Low Level)	RSV
Orengo FRP	1500 Gal.	11"	64.5"	11"	13"	25"	15"
Willamette Graystone	1500 Gal.	11"	64.5"	11"	13"	25"	15"
Riverside Ready Mix	1500 Gal.	11"	60.5"	11"	13"	25"	15"
Waite Concrete Prod.	1500 Gal.	10"	64"	10"	12"	24"	14"
Advanced PreCast	1500 Gal.	10"	68"	10"	12"	24"	14"
Hank's Concrete Prod.	1500 Gal.	10"	58"	10"	12"	24"	14"



Float Functions	
Y	High Level Alarm
G	Override Timer ON/OFF
W	LLARO

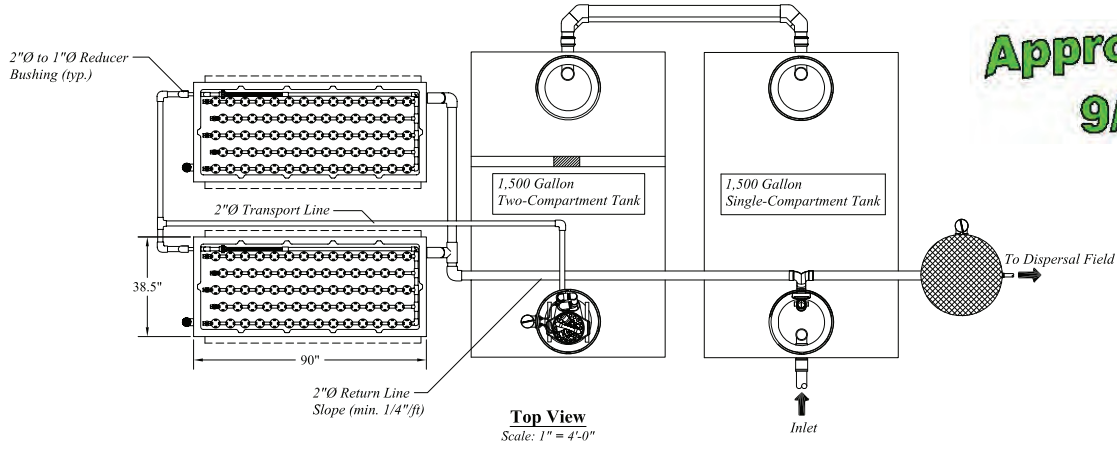
Title: AdvanTex® AX20N 2 Pod Mode 3A
 Drawing No. NDW-ATX-OR-18
 Date: 8/21/07
 Scale: 1" = 4'-0"

Drawn By: CHRIS JORDAN
 Drawing: 1 OF 1
 Revision: A-04

Designed By: ENGINEERING
 Approved By: DARREN SIMME
 Date Approved: 8/22/07

U.S. Patents-4,439,323
 5,492,635-6,372,137-3,360,566
 5,980,748-5,631,894- 5,480,561
 Other Patents Pending
 © 2005 Orengo Systems®, Inc

AdvanTex® AX20N 2 Pod Mode 3B w/Concrete Tank



Top View
Scale: 1" = 4'-0"

Approved by DEQ
9/14/2007

Design Notes

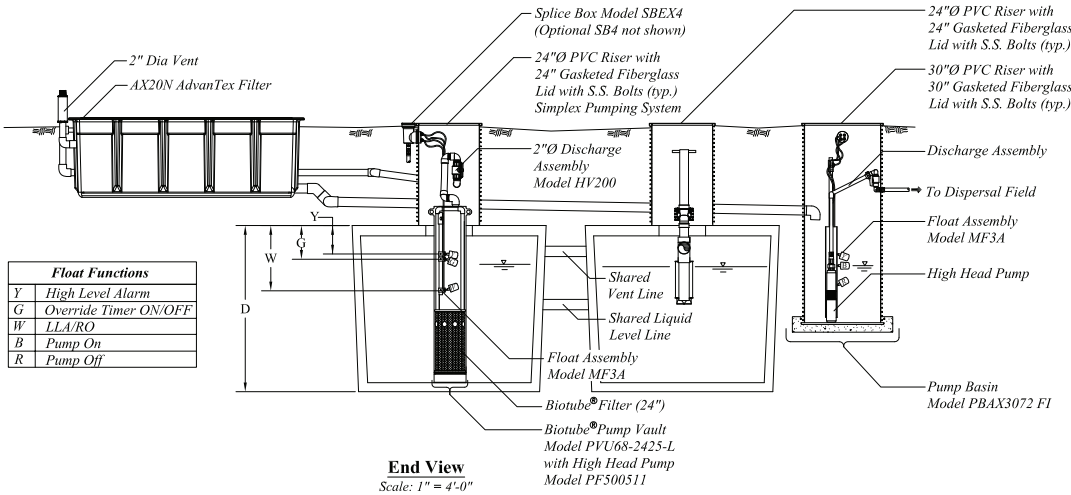
Expected Flows
 • $Q_{Peak} = 1000$ gpd
 Up To 6 Bedrooms

Expected Influent Quality
 Grease & Oil: 20 mg/L
 BOD: 150 mg/L
 TSS: 40 mg/L
 TKN: 65 mg/L

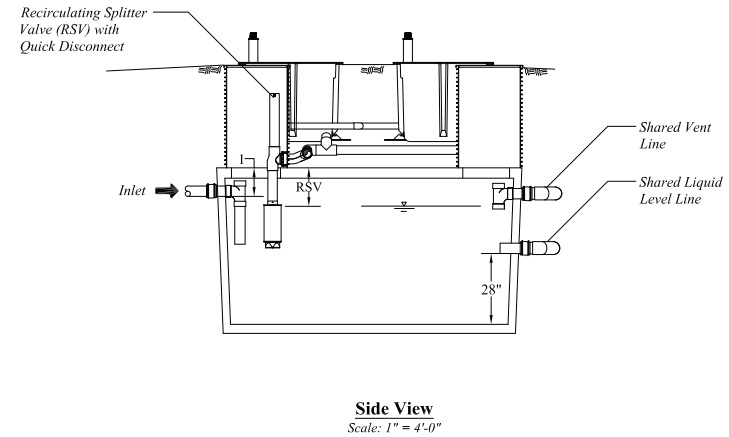
Typical Effluent Quality
 BOD: < 10 mg/L
 TSS: < 10 mg/L
 TN: < 25 mg/L



Tank Manufacturer	Tank Size	I	D	Y (High Level)	G (Timer Override On/Off)	W (Low Level)	RSV
Orencia FRP	1500 Gal.	11"	64.5"	11"	13"	25"	15"
Willamette Graystone	1500 Gal.	11"	64.5"	11"	13"	25"	15"
Riverside Ready Mix	1500 Gal.	11"	60.5"	11"	13"	25"	15"
Waite Concrete Prod.	1500 Gal.	10"	64"	10"	12"	24"	14"
Advanced PreCast	1500 Gal.	10"	68"	10"	12"	24"	14"
Hank's Concrete Prod.	1500 Gal.	10"	58"	10"	12"	24"	14"



End View
Scale: 1" = 4'-0"



Side View
Scale: 1" = 4'-0"

Float Functions	
Y	High Level Alarm
G	Override Timer ON/OFF
W	LLA/RO
B	Pump On
R	Pump Off

Title: AdvanTex® AX20N 2 Pod Mode 3B

Drawn By: CHRIS JORDAN

Drawing: 1 OF 1

Revision: A-04

Designed By: ENGINEERING

Approved By: DARREN SWINIE

Date Approved: 8/22/07

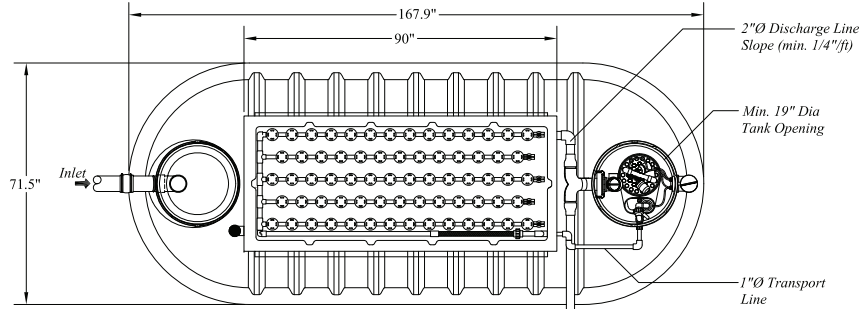
Drawing No. NDW-ATX-OR-19

Date: 8/21/07

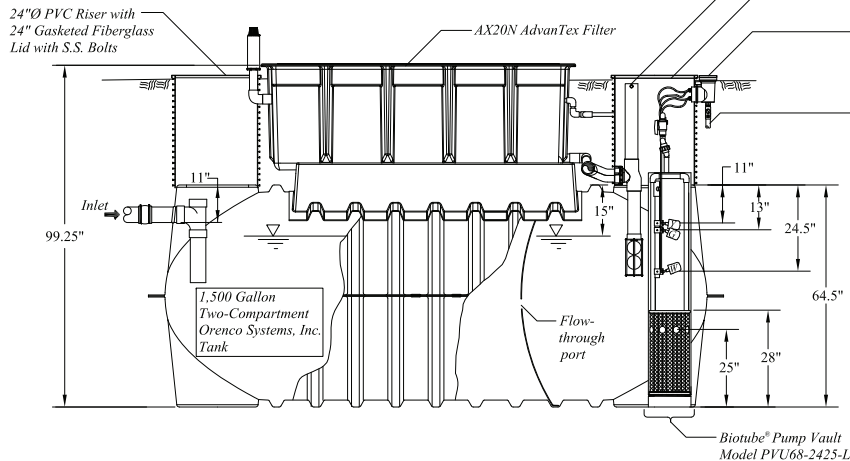
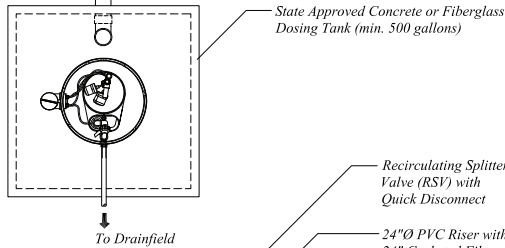
Scale: 1" = 4'-0"

U.S. Patents-4,439,323
 5,492,635-6,372,137-3,360,566
 5,980,748-5,631,894- 5,480,561
 Other Patents Pending
 © 2005 Orencia Systems®, Inc

AdvanTex® AX20N Mode 1B w/ Discharge Tank



Top View
Scale: 1" = 3'-0"



Side View
Scale: 1" = 3'-0"

Float Functions	
Y	High Level Alarm
G	Override Timer ON/OFF
W	LLA/RO
B	Pump On
R	Pump Off

Approved by DEQ
9/14/2007

Design Notes

Expected Flows
 • Q_{Peak} = 500 gpd
 Up To 4 Bedrooms

Expected Influent Quality
 Grease & Oil: 20 mg/L
 BOD: 150 mg/L
 TSS: 40 mg/L
 TKN: 65 mg/L

Typical Effluent Quality
 BOD: < 10 mg/L
 TSS: < 10 mg/L
 TN: < 25 mg/L



Title: AdvanTex® AX20N w/ Discharge Tank

Drawing No. NDW-ATX-OR-20

Date: 8/21/07 Scale: 1" = 3'-0"

Drawn By: BEN SMITH

Drawing: 1 OF 1

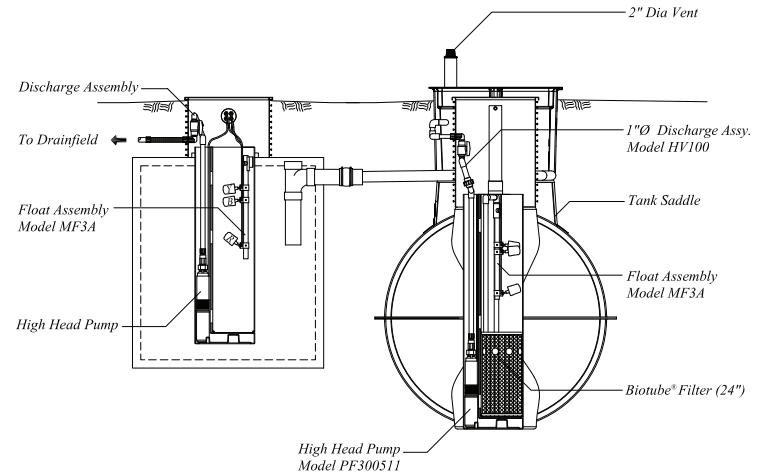
Revision: A-04

Designed By: ENGINEERING

Approved By: DARREN SIMME

Date Approved: 8/22/07

U.S. Patents-4,439,323
 5,492,635; 6,372,137; 5,360,556
 5,980,748; 5,531,894; 5,480,561
 D461,870; D445,476
 Other Patents Pending
 © 2005 Orenco Systems®, Inc



End View
Scale: 1" = 3'-0"