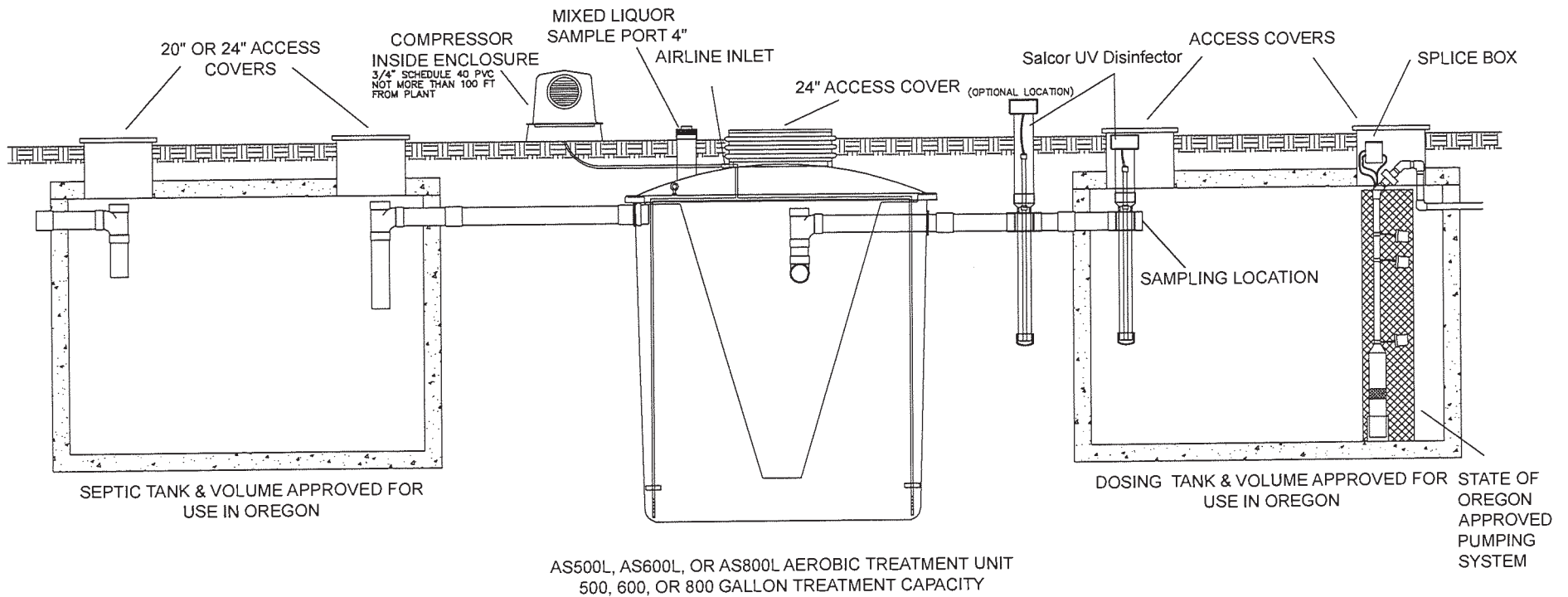


APPROVED
 By Randy Trox, REHS at 3:15 pm, Feb 08, 2023



NOTES:

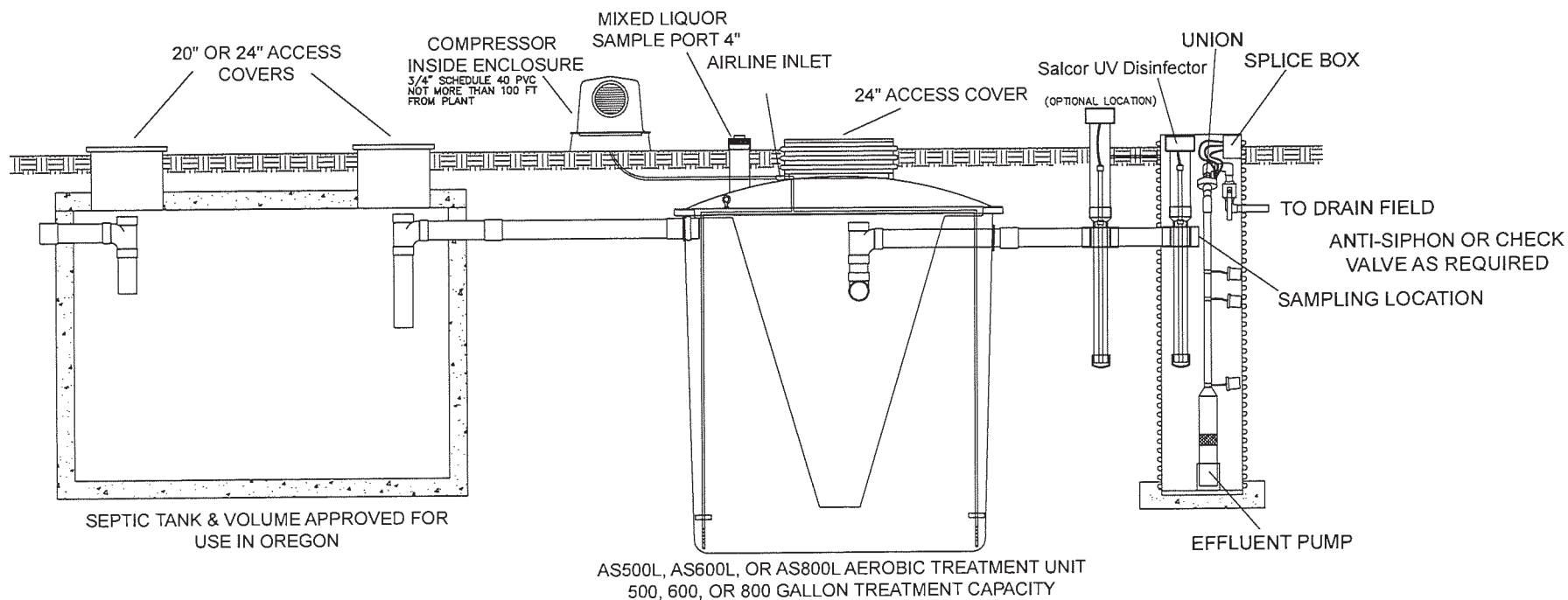
1. ALL EXTERIOR PIPE SIZES AS PER OREGON REQUIREMENTS.
2. THE VOLUME OF THE SEPTIC TANK WILL BE AS REQUIRED IN OAR 340-071.
3. AS AN OPTION, THE COMPRESSOR, CONTROL PANEL, AND ENCLOSURE CAN BE MOUNTED REMOTELY PROVIDED THEY ARE WITHIN 100' OF THE TREATMENT UNIT.
4. SALCOR UV NOT REQUIRED WITH TREATMENT STANDARD 1 APPLICATIONS.

The Aqua Safe® includes a Model 202FS-SA that de-activates the dosing pump in the event of an alarm condition, preventing the discharge of un-treated or partially-treated effluent.

ECOLOGICAL TANKS, INC 2247 HWY 151 NORTH DOWNSVILLE, LA 71234	Aqua Safe ® AS500L, AS600L, or AS800L + Salcor UV Disinfector w/ approved Effluent Dosing Septic Tank			DRAWING NO. AS500L-AS800L + SAL (3)
	NO PART OF THIS DOCUMENT MAY BE REPRODUCED, STORED IN ANY RETRIEVAL SYSTEM, OR TRANSMITTED IN ANY FORM OR BY ANY MEANS, ELECTRONIC, MECHANICAL, PHOTOCOPYING, RECORDING OR OTHERWISE WITHOUT THE PRIOR WRITTEN PERMISSION OF ECOLOGICAL TANKS, INC.	SCALE: NTS	DATE 4/23/21	

APPROVED

By Randy Trox, REHS at 3:15 pm, Feb 08, 2023



NOTES:

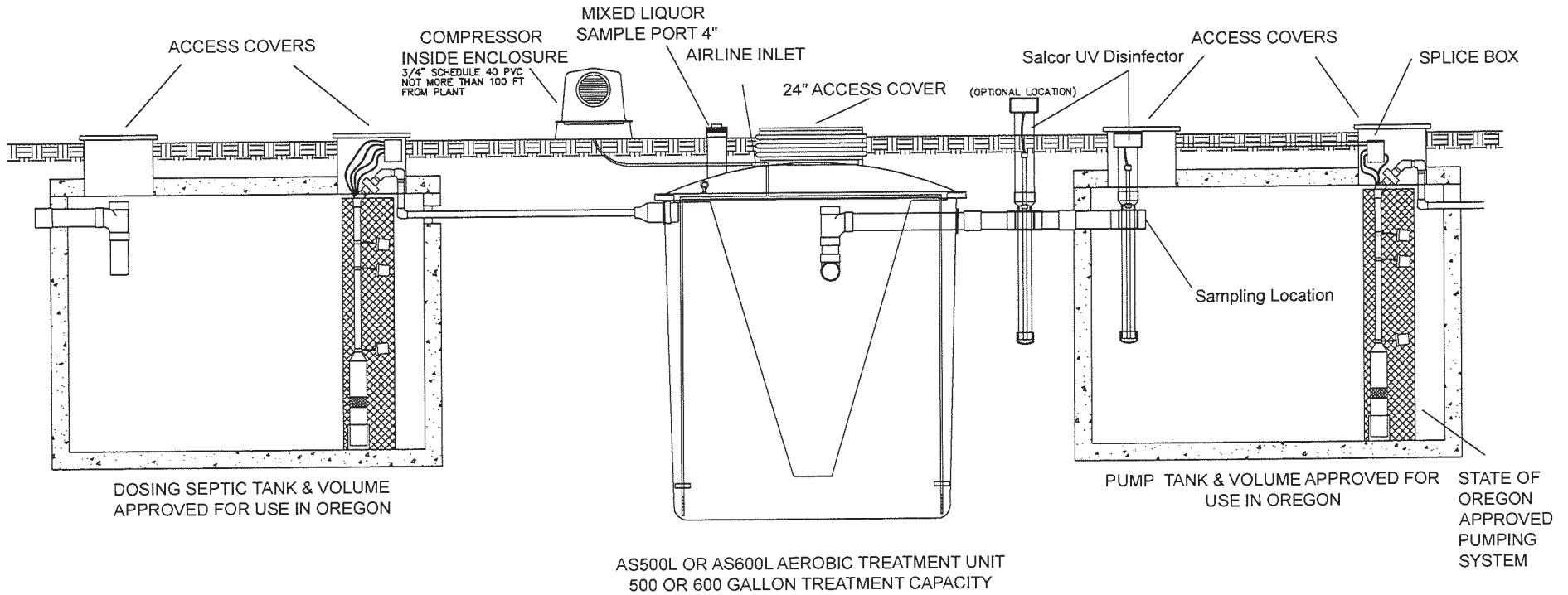
1. ALL EXTERIOR PIPE SIZES AS PER OREGON REQUIREMENTS.
2. THE VOLUME OF THE SEPTIC TANK WILL BE AS REQUIRED IN OAR 340-071.
3. AS AN OPTION, THE COMPRESSOR, CONTROL PANEL, AND ENCLOSURE CAN BE MOUNTED REMOTELY PROVIDED THEY ARE WITHIN 100' OF THE TREATMENT UNIT.
4. SALCOR UV NOT REQUIRED WITH TREATMENT STANDARD 1 APPLICATION.

The Aqua Safe® includes a Model 202FS-SA that de-activates the dosing pump in the event of an alarm condition, preventing the discharge of un-treated or partially-treated effluent.

ECOLOGICAL TANKS, INC 2247 HWY 151 NORTH DOWNSVILLE, LA 71234	Aqua Safe® AS500L, AS600L, or AS800L + Salcor UV Disinfector w/ Effluent Pump Vault		
	NO PART OF THIS DOCUMENT MAY BE REPRODUCED, STORED IN ANY RETRIEVAL SYSTEM, OR TRANSMITTED IN ANY FORM OR BY ANY MEANS, ELECTRONIC, MECHANICAL, PHOTOCOPYING, RECORDING OR OTHERWISE WITHOUT THE PRIOR WRITTEN PERMISSION OF ECOLOGICAL TANKS, INC.	SCALE: NTS	DATE 4/22/21

APPROVED

By Randy Trox, REHS at 3:16 pm, Feb 08, 2023



NOTES:

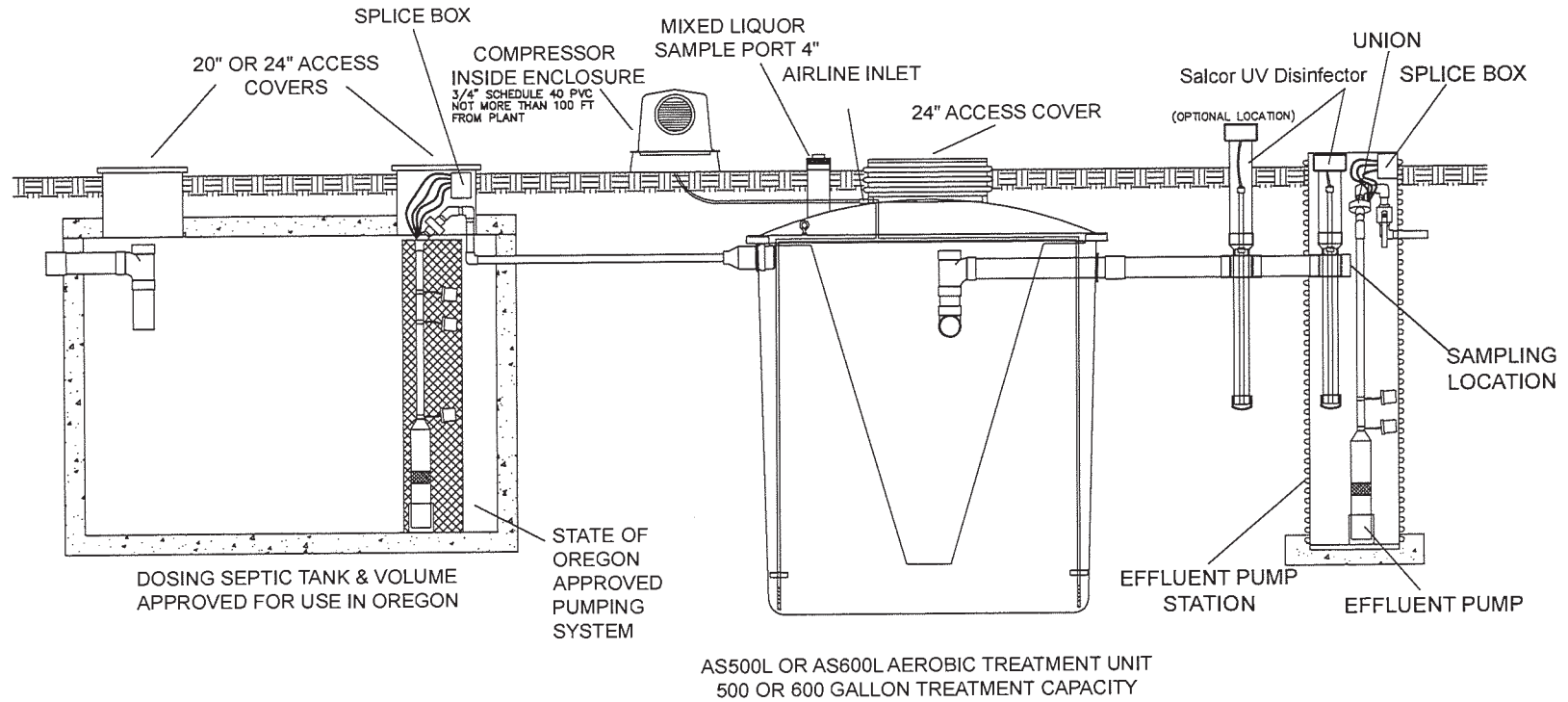
1. ALL EXTERIOR PIPE SIZES AS PER OREGON REQUIREMENTS.
2. THE VOLUME OF THE SEPTIC TANK WILL BE AS REQUIRED IN OAR 340-071.
3. AS AN OPTION, THE COMPRESSOR, CONTROL PANEL, AND ENCLOSURE CAN BE MOUNTED REMOTELY PROVIDED THEY ARE WITHIN 100' OF THE TREATMENT UNIT.
4. SALCOR UV NOT REQUIRED WITH TREATMENT STANDARD 1 APPLICATIONS.

The Aqua Safe® includes a Model 202FS-SA that de-activates the dosing pump in the event of an alarm condition, preventing the discharge of un-treated or partially-treated effluent.

ECOLOGICAL TANKS, INC 2247 HWY 151 NORTH DOWNSVILLE, LA 71234	Aqua Safe ® AS500L or AS600L + Salcor UV Disinfector w/ approved Dosing Septic Tank and approved Effluent Dosing Septic Tank			
	NO PART OF THIS DOCUMENT MAY BE REPRODUCED, STORED IN ANY RETRIEVAL SYSTEM, OR TRANSMITTED IN ANY FORM OR BY ANY MEANS, ELECTRONIC, MECHANICAL, PHOTOCOPYING, RECORDING OR OTHERWISE WITHOUT THE PRIOR WRITTEN PERMISSION OF ECOLOGICAL TANKS, INC.	SCALE: NTS	DATE 4/22/21	DRAWING NO. AS500L or AS600L + SAL (5)

APPROVED

By Randy Trox, REHS at 3:16 pm, Feb 08, 2023



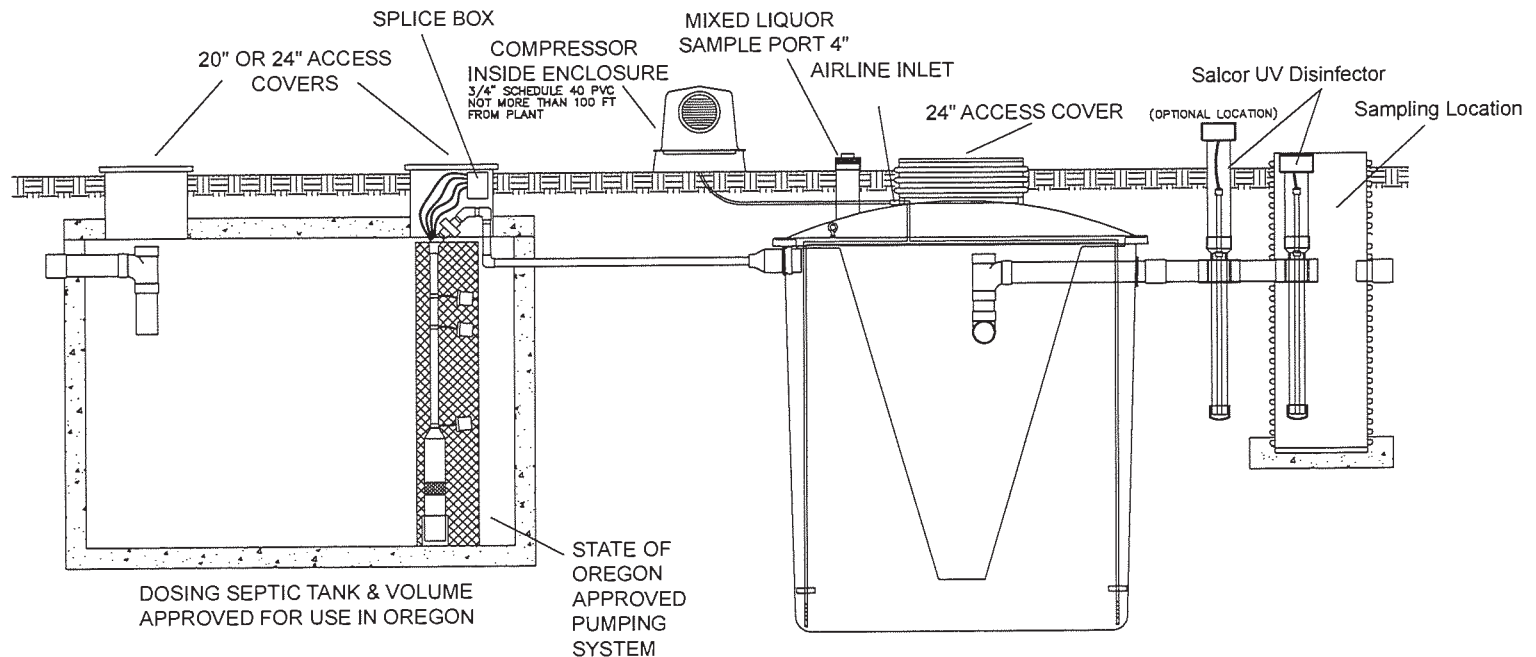
NOTES:

1. ALL EXTERIOR PIPE SIZES AS PER OREGON REQUIREMENTS.
2. THE VOLUME OF THE SEPTIC TANK WILL BE AS REQUIRED IN OAR 340-071.
3. AS AN OPTION, THE COMPRESSOR, CONTROL PANEL, AND ENCLOSURE CAN BE MOUNTED REMOTELY PROVIDED THEY ARE WITHIN 100' OF THE TREATMENT UNIT.
4. SALCOR UV NOT REQUIRED WITH TREATMENT STANDARD 1 APPLICATION.

The Aqua Safe® includes a Model 202FS-SA that de-activates the dosing pump in the event of an alarm condition, preventing the discharge of un-treated or partially-treated effluent.

<p>ECOLOGICAL TANKS, INC 2247 HWY 151 NORTH DOWNSVILLE, LA 71234</p>	<p>Aqua Safe® AS500L or AS600L + Salcor UV Disinfector w/ approved Dosing Septic Tank and Effluent Pump Vault</p>			
<p>NO PART OF THIS DOCUMENT MAY BE REPRODUCED, STORED IN ANY RETRIEVAL SYSTEM, OR TRANSMITTED IN ANY FORM OR BY ANY MEANS, ELECTRONIC, MECHANICAL, PHOTOCOPYING, RECORDING OR OTHERWISE WITHOUT THE PRIOR WRITTEN PERMISSION OF ECOLOGICAL TANKS, INC.</p>	<p>SCALE: NTS</p>	<p>DATE 4/22/21</p>	<p>DRAWING NO. AS500L or AS600L + SAL (4)</p>	

APPROVED
 By Randy Trox, REHS at 3:16 pm, Feb 08, 2023



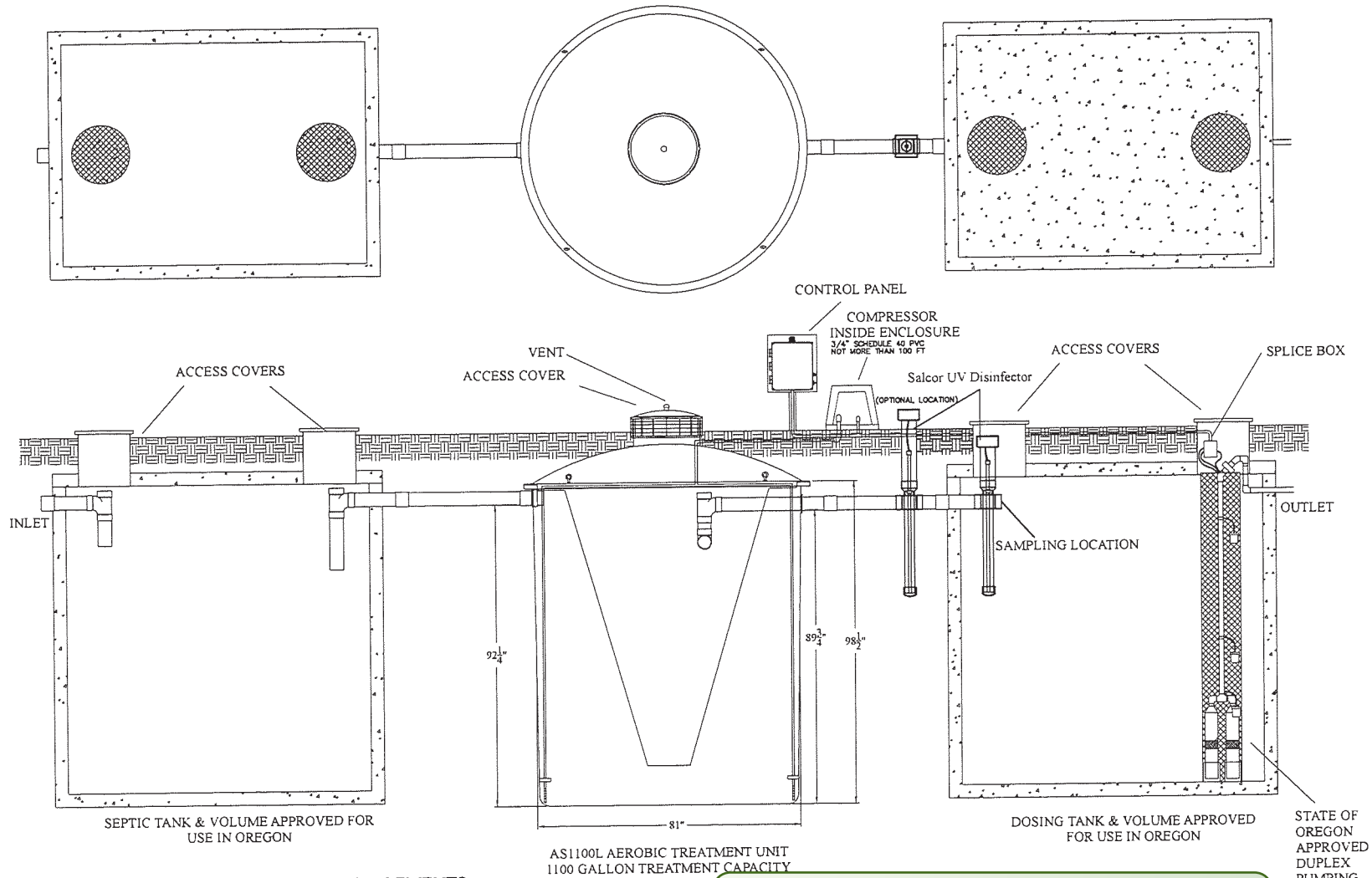
AS500L OR AS600L AEROBIC TREATMENT UNIT
 500 OR 600 GALLON TREATMENT CAPACITY

NOTES:

1. ALL EXTERIOR PIPE SIZES AS PER OREGON REQUIREMENTS.
2. THE VOLUME OF THE SEPTIC TANK WILL BE AS REQUIRED IN OAR 340-071.
3. AS AN OPTION, THE COMPRESSOR, CONTROL PANEL, AND ENCLOSURE CAN BE MOUNTED REMOTELY PROVIDED THEY ARE WITHIN 100' OF THE TREATMENT UNIT.
4. SALCOR UV NOT REQUIRED WITH TREATMENT STANDARD 1 APPLICATION.

The Aqua Safe® includes a Model 202FS-SA that de-activates the dosing pump in the event of an alarm condition, preventing the discharge of un-treated or partially-treated effluent.

ECOLOGICAL TANKS, INC 2247 HWY 151 NORTH DOWNSVILLE, LA 71234	Aqua Safe® AS500L or AS600L + Salcor UV Disinfector w/ approved Dosing Tank			DRAWING NO. AS500L or AS600L + SAL (1)
	NO PART OF THIS DOCUMENT MAY BE REPRODUCED, STORED IN ANY RETRIEVAL SYSTEM, OR TRANSMITTED IN ANY FORM OR BY ANY MEANS, ELECTRONIC, MECHANICAL, PHOTOCOPIING, RECORDING OR OTHERWISE WITHOUT THE PRIOR WRITTEN PERMISSION OF ECOLOGICAL TANKS, INC.	SCALE: NTS	DATE 4/22/21	

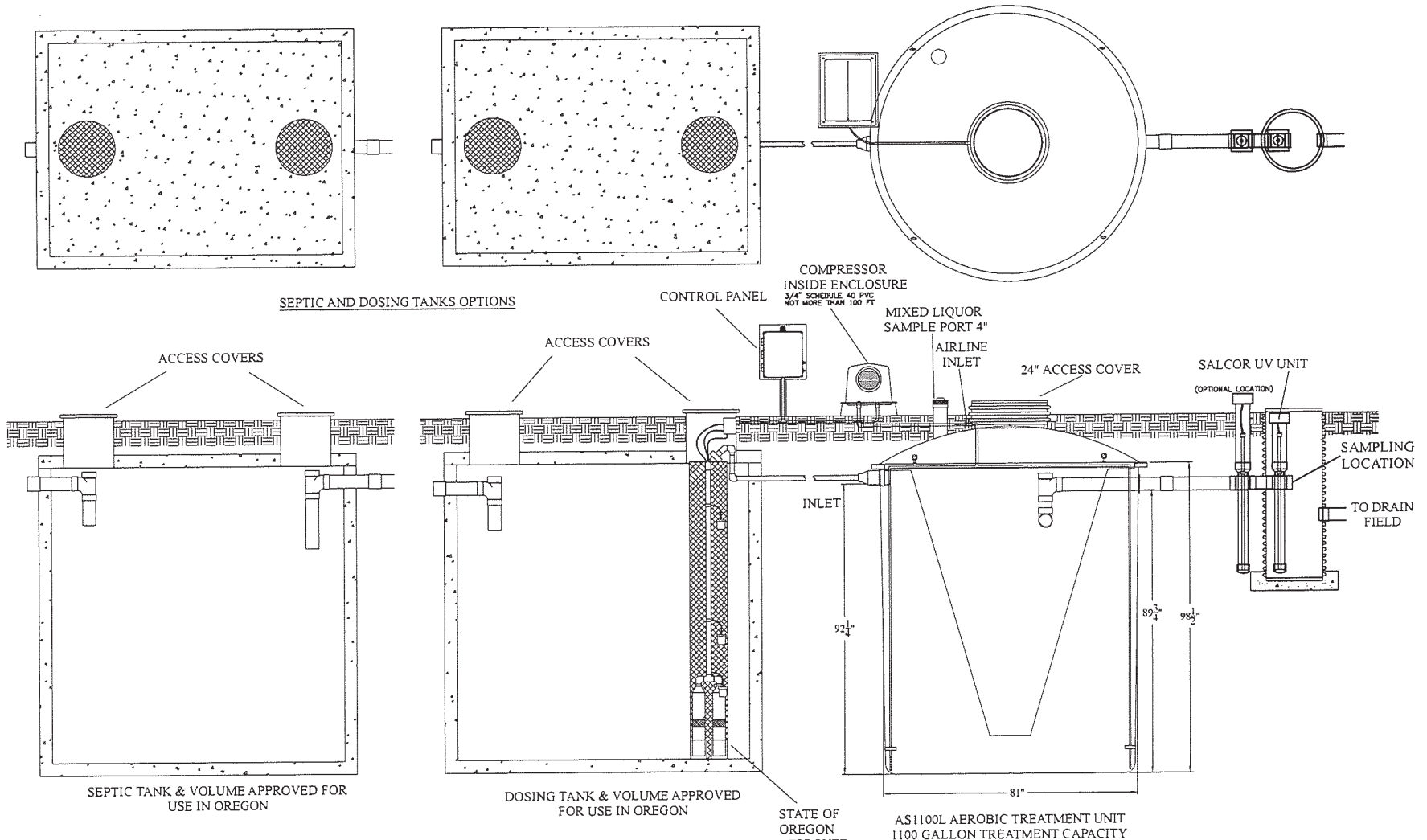


NOTES:

1. ALL EXTERIOR PIPE SIZES AS PER OREGON REQUIREMENTS.
2. THE VOLUME OF THE SEPTIC TANK WILL BE AS REQUIRED IN OAR 340-071.
3. THE VOLUME OF THE DOSING TANK WILL BE AS REQUIRED IN OAR 340-071.
4. COMPRESSOR AND CONTROL PANEL MUST BE MOUNTED WITHIN 100' OF THE TREATMENT UNIT.
5. SALCOR UV UNIT NOT REQUIRED WITH TREATMENT STANDARD 2 APPLICATION.

APPROVED
By Randy Trox, REHS at 3:16 pm, Feb 08, 2023

ECOLOGICAL TANKS, INC 2247 HWY 151 NORTH DOWNSVILLE, LA 71234	AQUA SAFE® AS1100L + SALCOR UV DISINFECTOR W/ OREGON APPROVED SEPTIC TANK & DUPLEX HIGH HEAD PUMP STATION		
	NO PART OF THIS DOCUMENT MAY BE REPRODUCED, STORED IN ANY RETRIEVAL SYSTEM, OR TRANSMITTED IN ANY FORM OR BY ANY MEANS, ELECTRONIC, MECHANICAL, PHOTOCOPYING, RECORDING OR OTHERWISE WITHOUT THE PRIOR WRITTEN PERMISSION OF ECOLOGICAL TANKS, INC.	SCALE: NTS	DATE 4/22/21



- NOTES:
1. ALL EXTERIOR PIPE SIZES AS PER OREGON REQUIREMENTS.
 2. THE VOLUME OF THE SEPTIC TANK WILL BE AS REQUIRED IN OAR 340-071.
 3. COMPRESSOR AND CONTROL PANEL MUST BE MOUNTED WITHIN 100' OF THE TREATMENT UNIT.
 4. SALCOR UV NOT REQUIRED WITH TREATMENT STANDARD 2 APPLICATION.

APPROVED
By Randy Trox, REHS at 3:16 pm, Feb 08, 2023

ECOLOGICAL TANKS, INC 2247 HWY 151 NORTH DOWNSVILLE, LA 71234	AQUA SAFE® AS1100L + SALCOR UV UNIT W/ OREGON APPROVED PRECEDING SEPTIC & DOSING TANKS		
	NO PART OF THIS DOCUMENT MAY BE REPRODUCED, STORED IN ANY RETRIEVAL SYSTEM, OR TRANSMITTED IN ANY FORM OR BY ANY MEANS, ELECTRONIC, MECHANICAL, PHOTOCOPYING, RECORDING OR OTHERWISE WITHOUT THE PRIOR WRITTEN PERMISSION OF ECOLOGICAL TANKS, INC.	SCALE: NTS	DATE 4/22/21