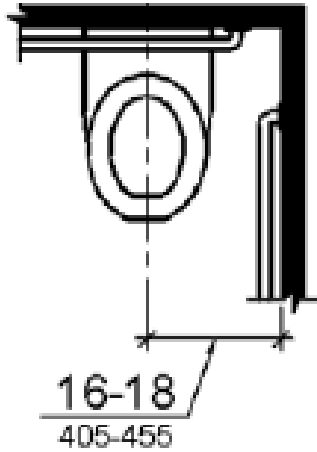




# ADA Quick Reference Guide — Restrooms and Showers

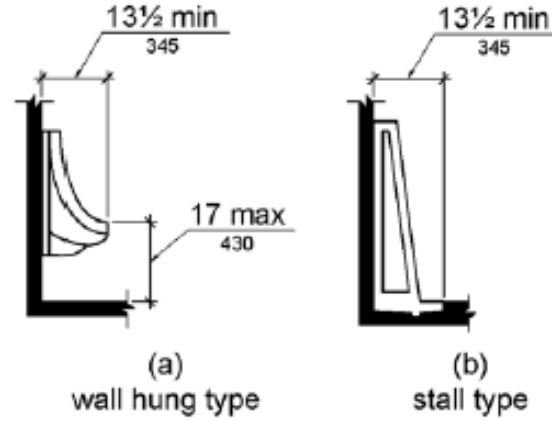
## Wheelchair Accessible Toilet

Toilet positioned with a wall or partition to the rear and to one side. The centerline of the water closet shall be 16” min.–18” max. from the side wall. The seat height shall be 17”–19” maximum measured to the top of the seat.



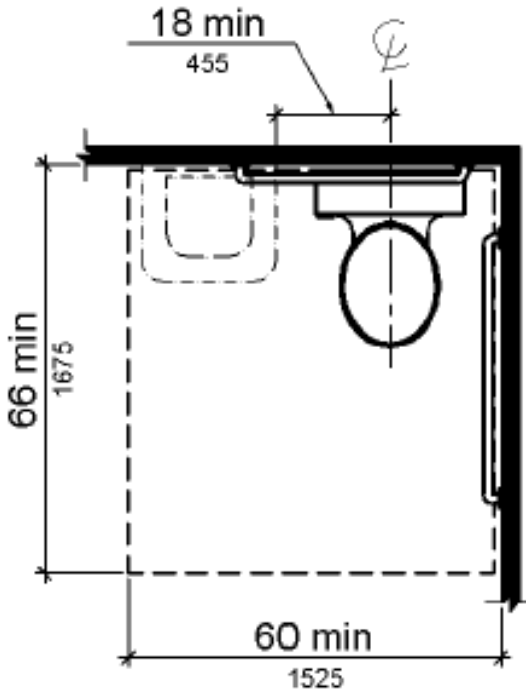
## Urinals

Wall-hung type (a) or stall type (b) urinals with the rim should be 17” maximum above the floor.



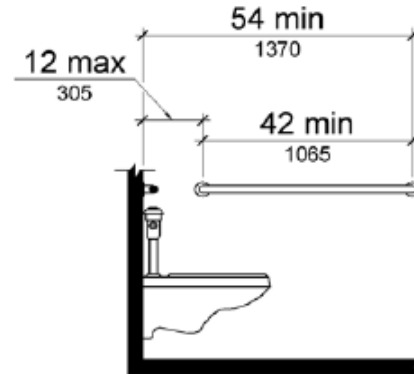
## Wheelchair Toileting Clearance

Wheelchair clearance around toilets should be 60” from side wall and 56” from back rear wall for wall hung toilets or 59” for floor mounted toilets.



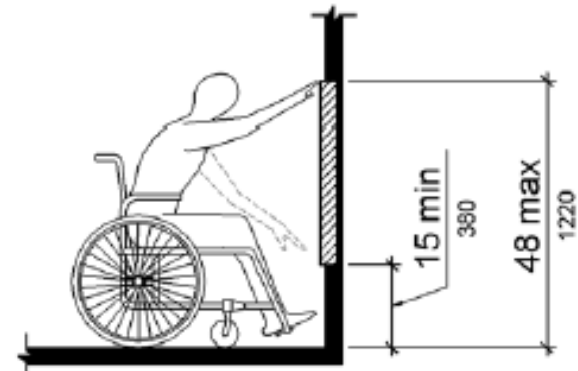
## Side Wall Grab Bar

Side wall grab bar shall be 42” long min., located 12” max. from the rear wall and extending 54” min. from the rear wall.

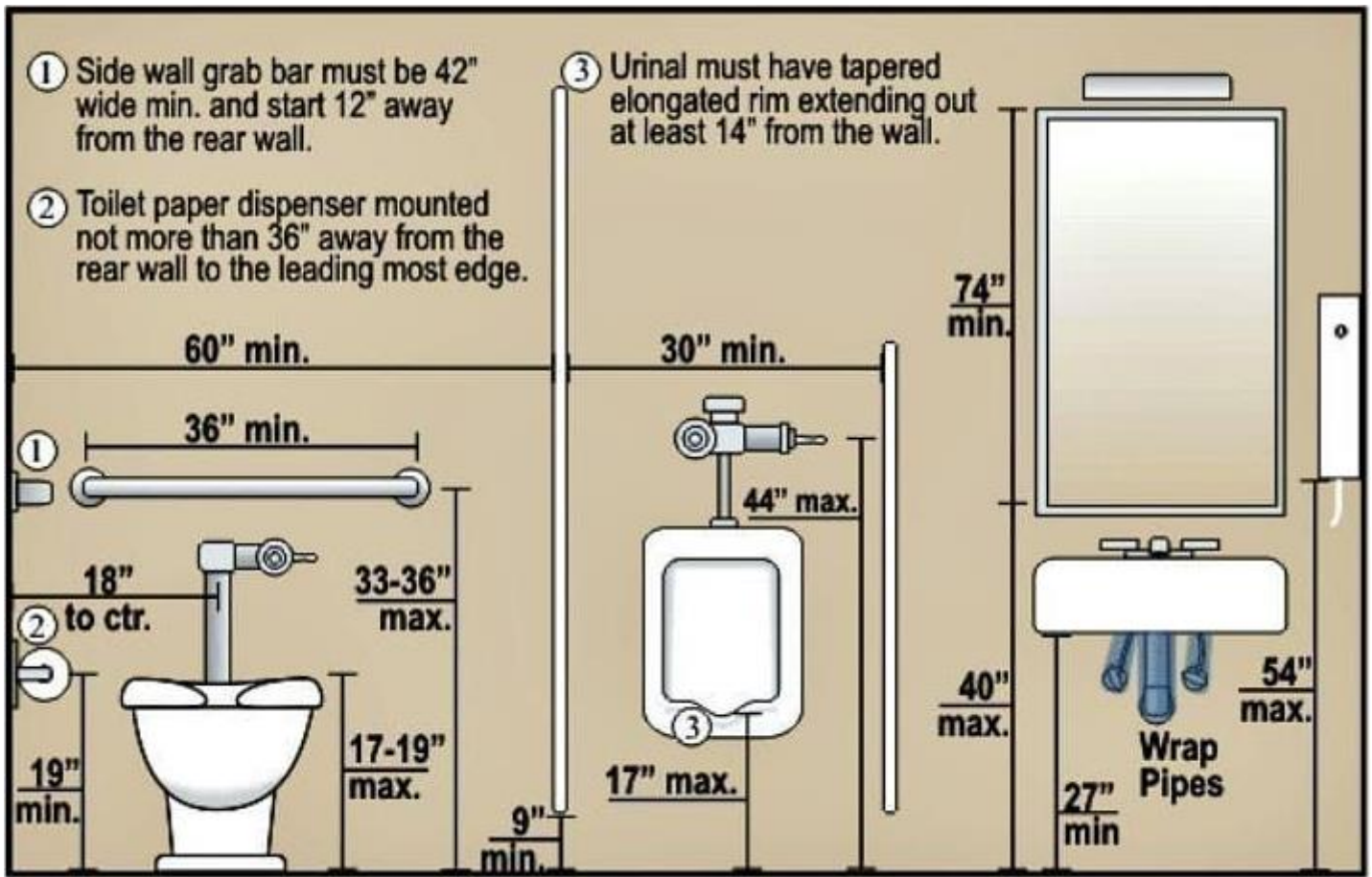


## Soap, Paper Towel Dispensers, and Dryers

- Height: 48” maximum
- Reach: 15”–20” maximum



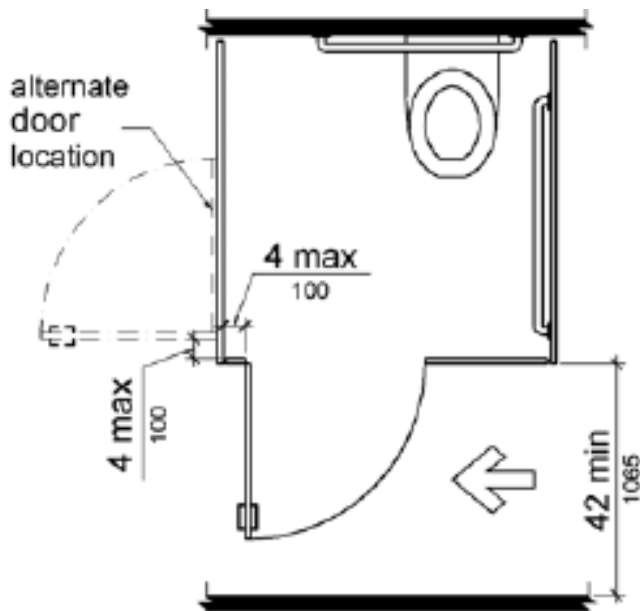
# Toilet Room Technical Requirements\*



\*From Texas Access, LLC

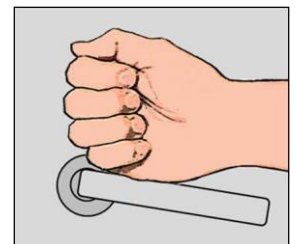
## Door Swing

Doors shall not swing into the clear floor space or clearance required for any fixture (see example below).



## Door Hardware

Door hardware shall allow for one-hand operation with no tight grasping, pinching, or twisting of the wrist. With no more than 5lb maximum weight. Located 34"-48" above floor.



## Exposed Plumbing Pipes

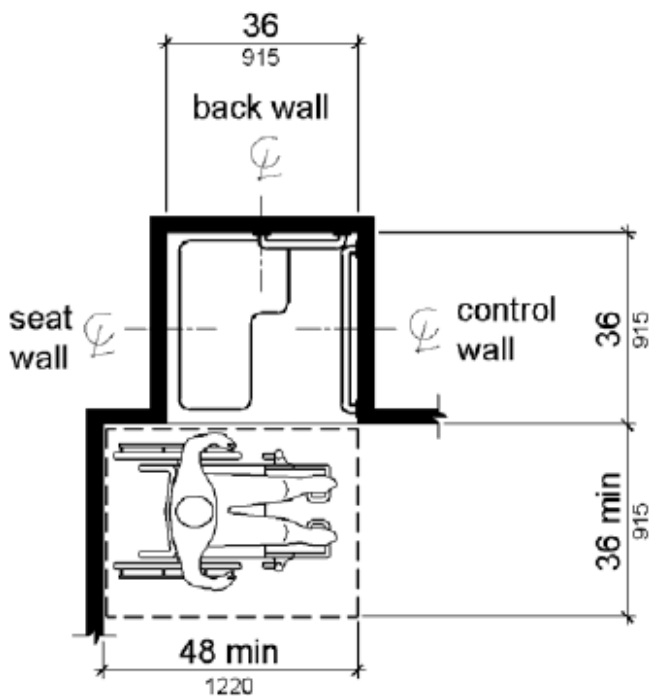
Water supply and drain pipes under lavatories and sinks shall be insulated or otherwise configured to protect against contact.

## Mirrors

Mirrors located above countertops shall be installed with the bottom edge of the reflecting surface at 40" maximum above the floor. Mirrors that are *not* located above a countertop shall be installed with the bottom edge of the reflecting surface at 35" maximum above the floor.

## Transfer Showers

Inside shower dimensions shall be at least 36" x 36" and shall have a 36" wide minimum entry on the face of the shower compartment. A minimum 36" wide clearance by 48" long minimum shall be provided for entry.



*Note: Inside finished dimensions measured at the center points of opposing sides.*

## Shower Seat

Shower seats shall be folding type in a roll-in shower compartment. The top of the seat shall be 17" minimum and 19" maximum above the bathroom floor.

## Shower Compartments

Controls, faucets and shower spray unit shall be located above grab bar, no higher than 48" above shower floor, with a 27" reach maximum.

## Grab Bars

Grab bars shall be installed in a horizontal position at 33"–36" above the finished floor. They shall be provided across the control wall (opposite the seat) and back wall, with the back wall being 18" from the control wall. Grab bars shall be installed 6" maximum from adjacent walls.

## Benches

The top of the bench seat surface shall be 17" minimum and 19" maximum above the floor. The surface of the bench seat shall be slip resistant and not accumulate water. The bench shall be 42" long minimum and 20"–24" deep.

## Source:

United States Access Board, "Guide to the ADA Accessibility Standards": <https://www.access-board.gov/ada/>