

4

3

2

1

D

D

C

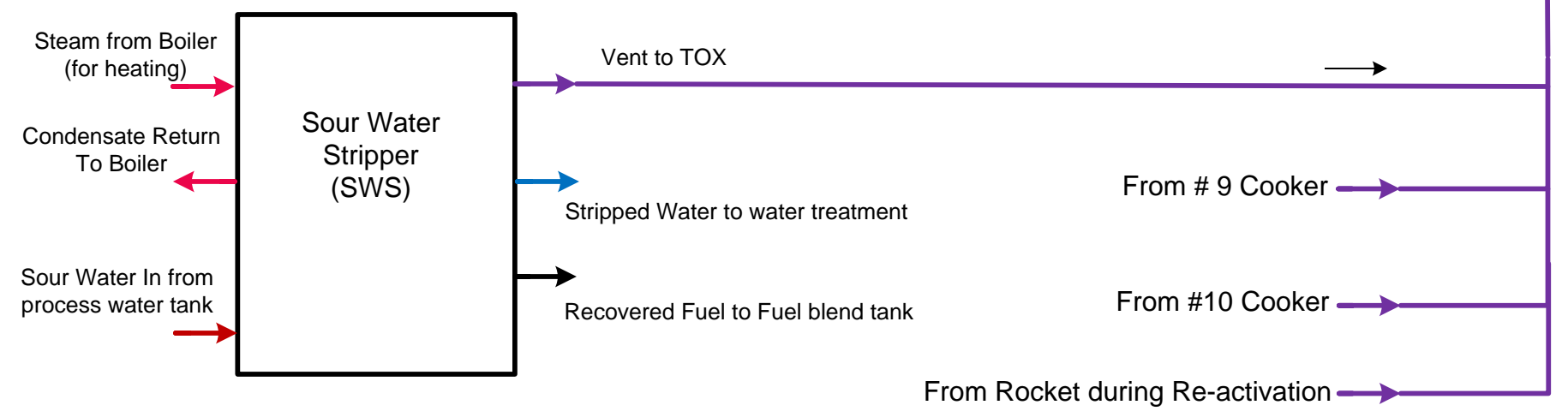
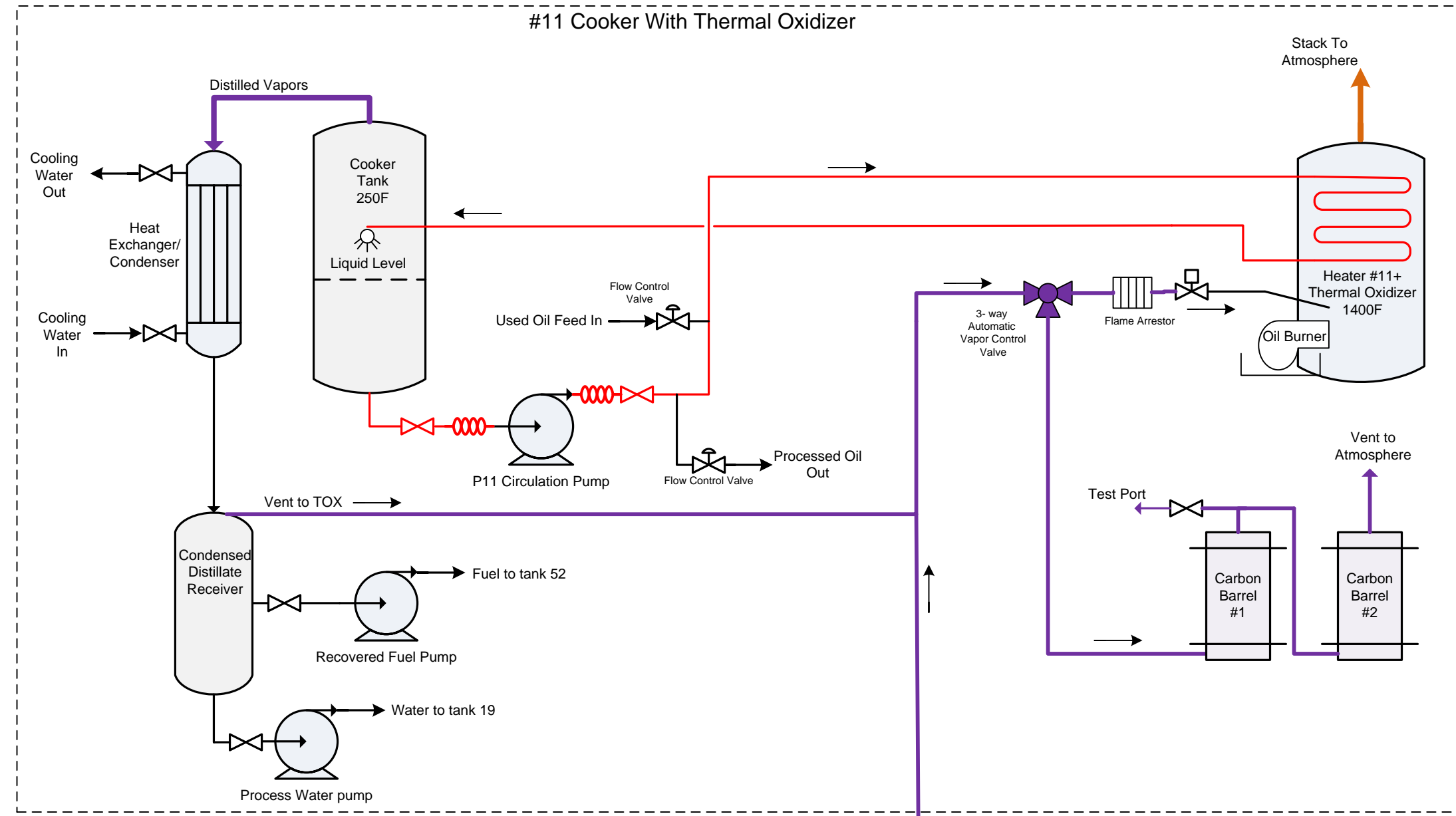
C

B

B

A

A



TITLE			DRAWN BY		
TOX on #11 Cooker with SWS					
FILENAME	SCALE	SIZE	REVISED		
	NTS	B	1 OF 2		09/30/16

4

3

2

1

4

3

2

1

D

D

C

C

B

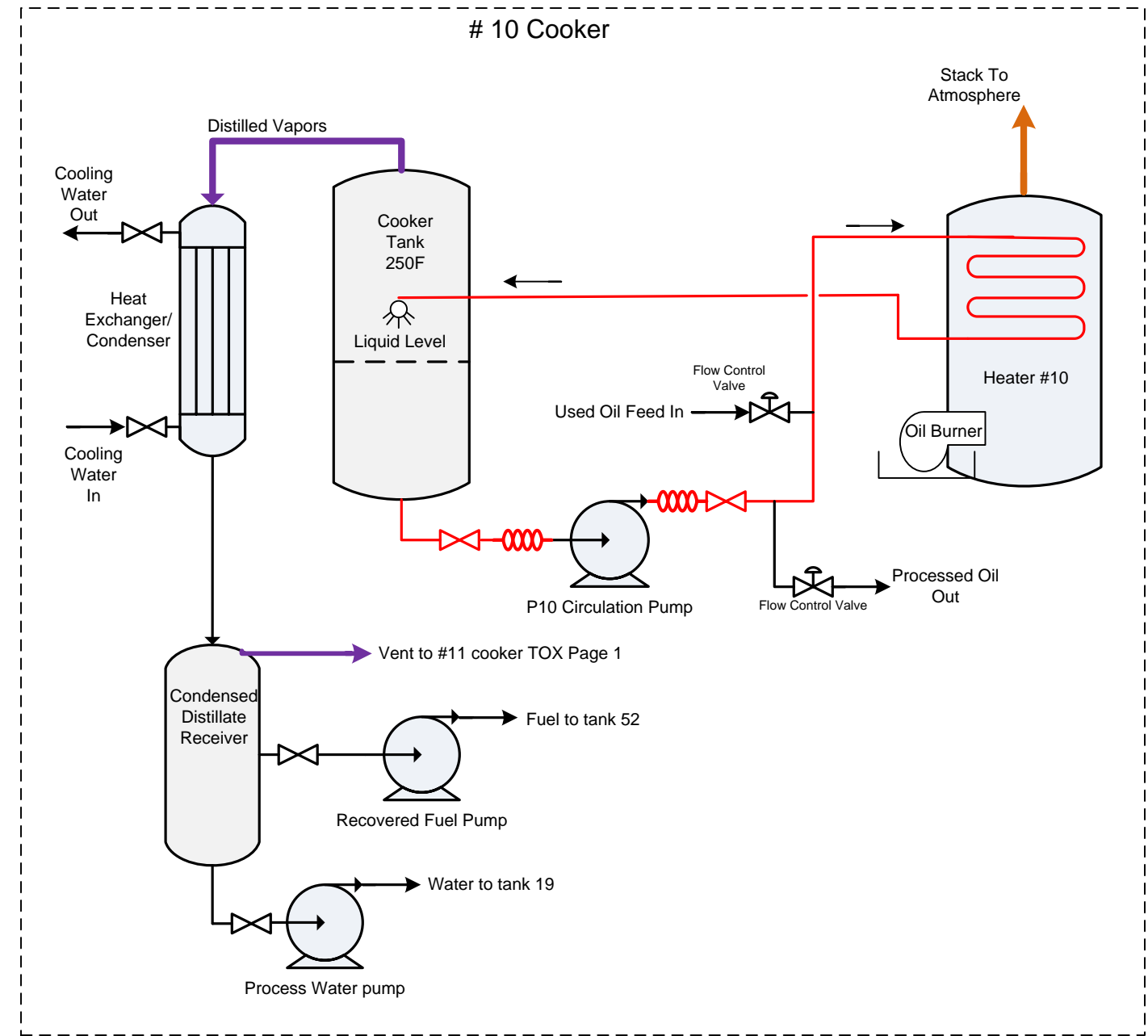
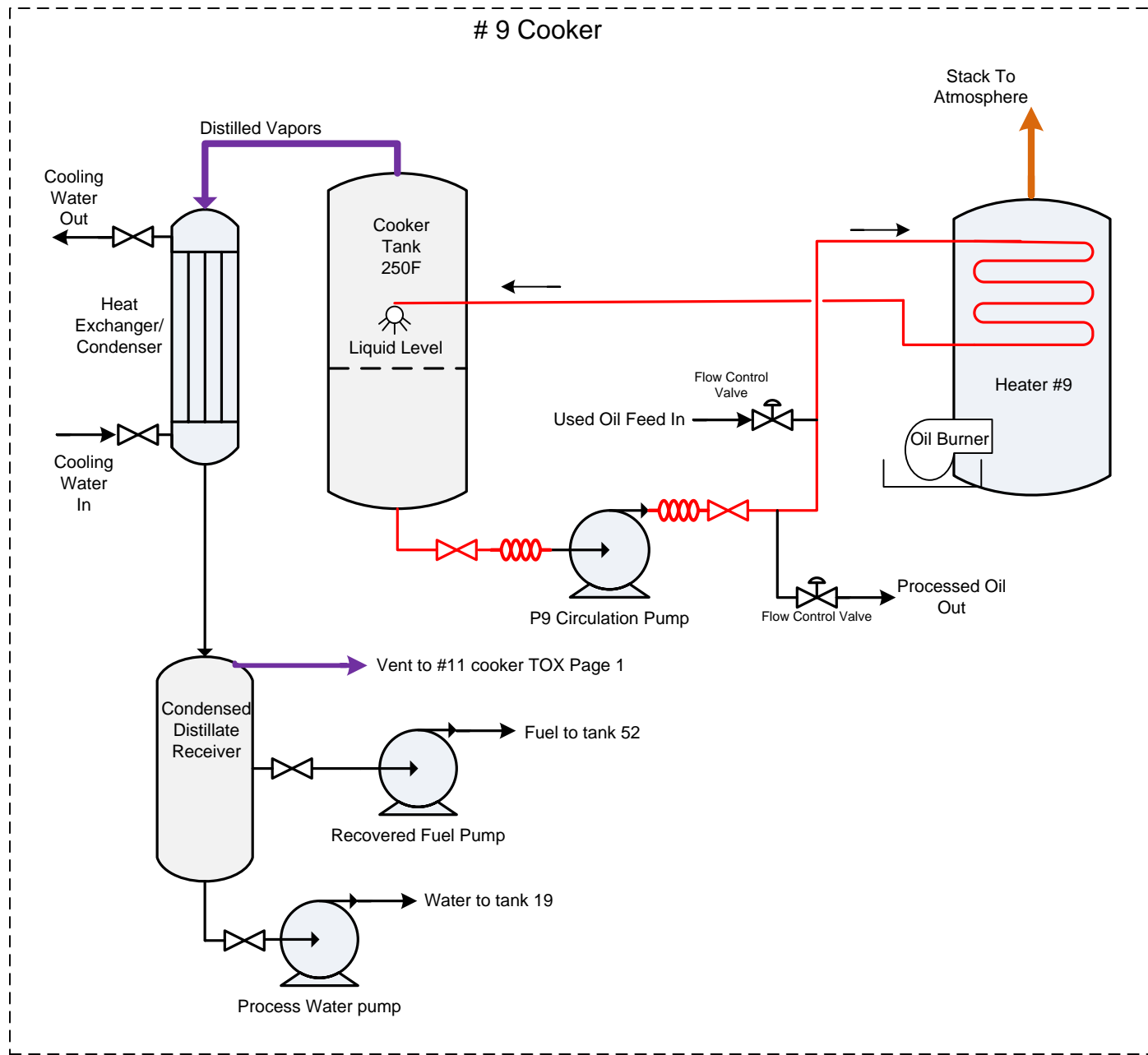
B

A

A

### # 9 Cooker

### # 10 Cooker



TITLE				DRAWN BY	
Simplified Process Diagram #9 and #10 Cookers					
FILENAME	SCALE	SIZE	PAGE	REVISED	
	NTS	B	2 OF 2	09/30/16	

4

3

2

1